

GB **Gira nurse call system Plus**
Installation, start-up

Gira nurse call system Plus
Quick start

GIRA

Gira nurse call system Plus system overview

This quick start gives you a brief overview of the installation of the Gira nurse call system Plus. For more detailed information, each section tells you where you can read more about the theme in the system operating instructions.

General Information

The information contained in this document may be changed without prior notification. The illustrations are also non-binding. No part of this document may be duplicated or transmitted for any purposes, regardless of the manner and means used, without the expressed written approval of Gira, Giersiepen GmbH & Co. KG.

© by Gira, Giersiepen GmbH & Co. KG
Dahlienstraße
42477 Radevormwald

Safety instructions

Installation and mounting of electrical devices may only be carried out by qualified electricians.

Failure to observe the instructions can result in damage to the device, fire or other dangers.

Isolate before working on the device or load. Take account of all circuit breakers supplying dangerous voltage to the device or load.

Always connect protective conductors!



Note: comply to DIN VDE 0834.

Observe the content of DIN VDE 0834 and any other applicable regulations.



Note: read the system operating instructions and individual instructions.

Become familiar with all possibilities of the devices and the complete call system. Please read the system operating instructions and instructions for the individual devices and use the online help information in the configuration software. You can find the system operating instructions (also in further language variations) as a PDF document on the CD-ROM enclosed with the ward control centre.

Warranty

The warranty is provided in accordance with statutory requirements via the specialist trade. Please submit or send faulty devices postage paid together with an error description to your responsible salesperson (specialist trade/installation company/specialist electrical trade). They will forward the devices to the Gira Service Center.

Overview of the complete system

The Gira nurse call system Plus is a light call system with voice functionality. It can be operated as a large system with a system central control unit (SSZ) and several ward control centres or as a small system with only one ward control centre.

	Small system (without SSZ)	Large system (with SSZ)
Wards	1	up to 26
Setup and configuration of organisational units	✓	✓
Software module connection to electrical loudspeaker system Order No. 5996 00	-	✓
Software module connection to DECT telephone system Order No. 5994 00	-	✓
Software module connection to fire alarm system Order No. 5993 00	-	✓

Please consult the "Planning" chapter of the system operating instructions for further details on the complete system.

Explanation for colour coding of devices

- System bus devices (nurse call system Plus-LAN - independent network), cable material twisted pair, cat. 5 or greater.
Max. of 26 ward control centres in the large system
- Ward bus devices, cable material J-Y(St)Y 4 x 2 x 0,8 mm
Max. 52 per ward
- Room bus devices, cable material J-Y(St)Y 4 x 2 x 0,6 mm
Max. 16 per room

System overview of small system

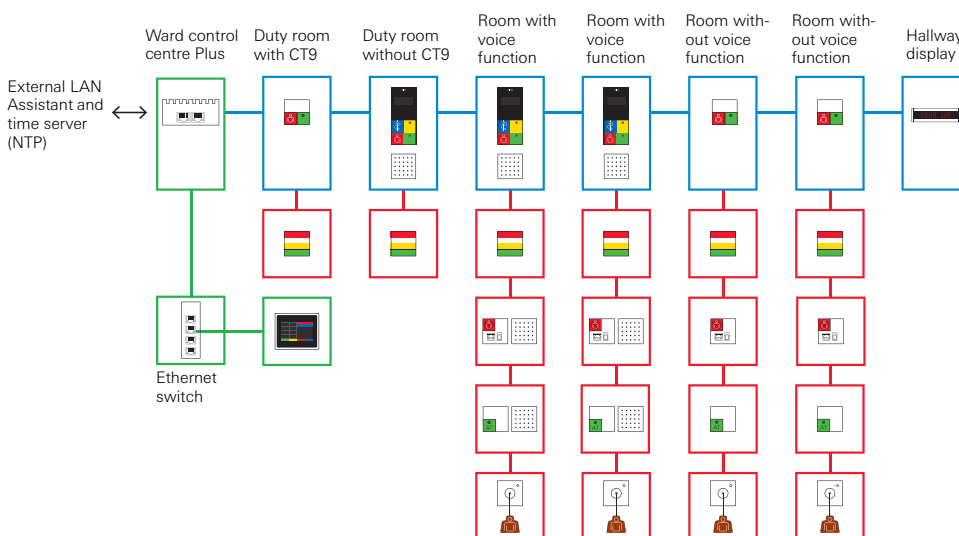


Figure 1: System overview of small system

System overview of large system

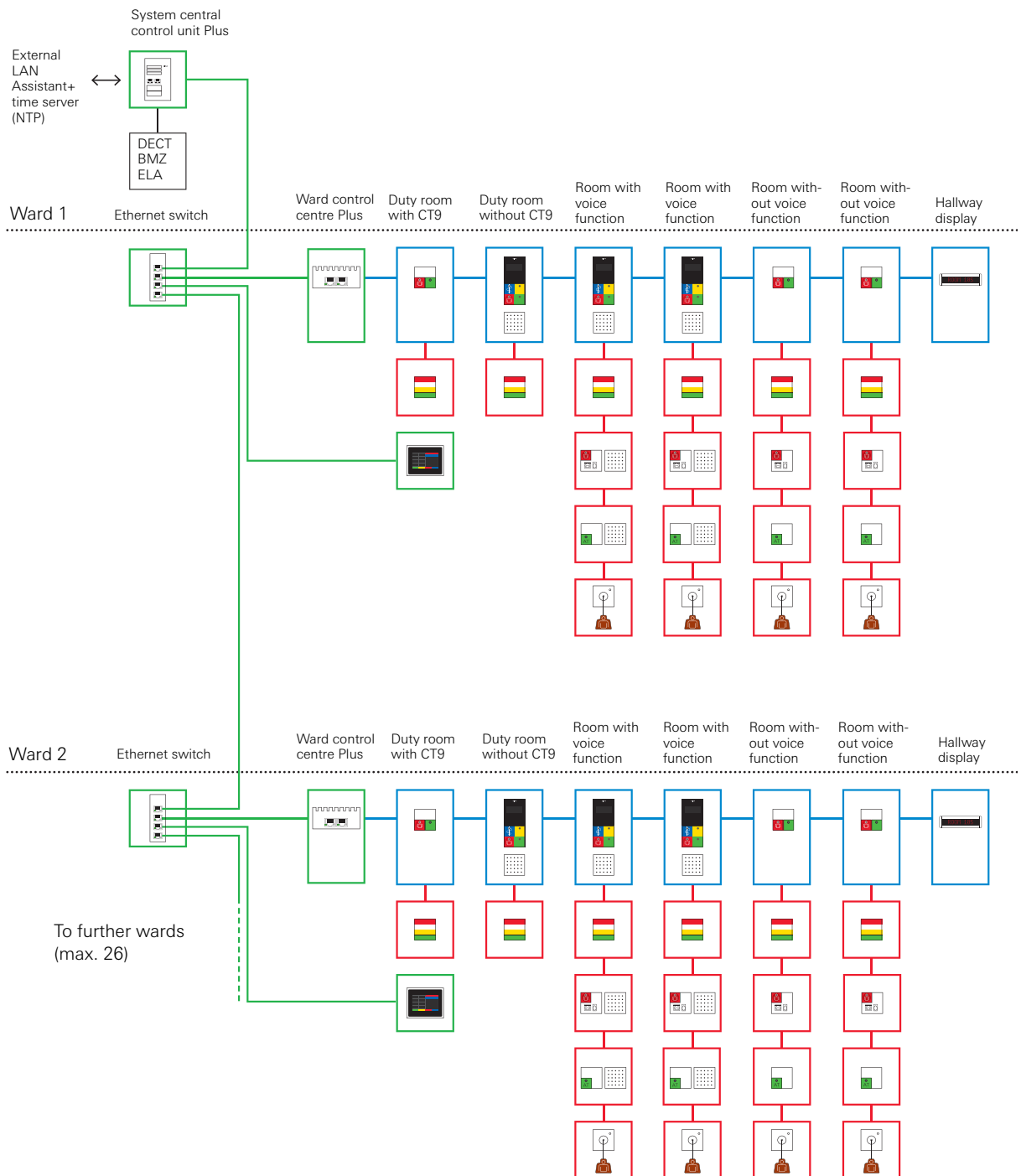


Figure 2: System overview of large system

Room

As well as the central control unit in a room, further devices for call triggering can be used.

To prepare rooms for voice communication, duty room/room terminals must be planned, as only these devices in combination with the voice module (included in scope of supply) offer voice functionality.

You can find further information about functions of the individual room bus participants in the Gira nurse call system Plus in the "Function" chapter of the system operating instructions.






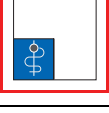

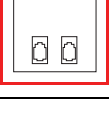
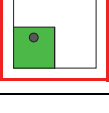
Figure	Designation	Connection to	Installation site	Voice capability	Connection of patient hand-held device
	Call button Plus (RT+) Order No. 5900 ..	Room bus	- In the room - At the bed - In the WC	-	-
	Call button with ancillary plug contact Plus (RN+) Order No. 5901 ..	Room bus	- In the room - At the bed	✓	✓
	Call and switch-off button Plus (RA+) Order No. 5902 ..	Room bus	- In the WC	-	-
	Call and switch-off button with ancillary plug contact Plus (RAN+) Order No. 5903 ..	Room bus	- In the room - At the bed	✓	✓
	Call and doctor alert button Plus (RAR+) Order No. 5904 ..	Room bus	- In the room	-	-
	Doctor alert button Plus (AR+) Order No. 5905 ..	Room bus	- In the room	-	-
	Call button with ancillary plug contact and DIA pin jack Plus (RND+) Order No. 5906 ..	Room bus	- At the bed	✓	✓
	2-gang diagnostic pin jack Plus (Dia+) Order No. 5907 ..	Room bus	- At the bed	-	-
	Presence button green Plus (AW1+) Order No. 5908 ..	Room bus	- In the room	-	-

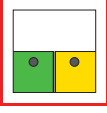
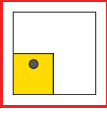

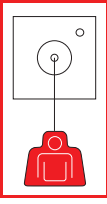
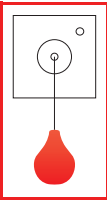
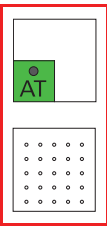

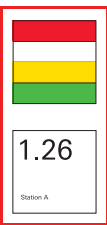
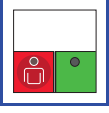

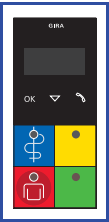
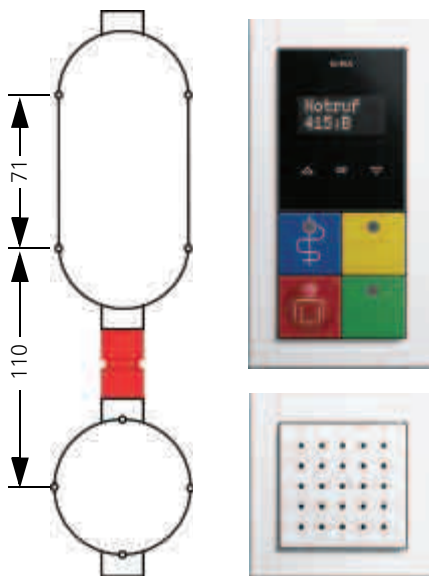
Figure	Designation	Connection to	Installation site	Voice capability	Connection of patient hand-held device
	Presence button green, yellow Plus (AW12+) Order No. 5909 ..	Room bus	- In the room	-	-
	Presence button yellow Plus (AW2+) Order No. 5910 ..	Room bus	- In the room	-	-
	Switch-off button Plus (AT+) Order No. 5911 ..	Room bus	- In the WC	-	-
	Pull-cord button Plus (ZUT+) Order No. 5912 ..	Room bus	- In the room: - At the bed - In the WC	-	-
	Pneumatic call button Plus (PRT+) Order No. 5913 ..	Room bus	- In the room: - At the bed - In the WC	-	-
	Switch-off button with voice module Plus (ATS+) Order No. 5918 .. (voice module included in scope of supply)	Room bus	- In the WC	✓	-
	Room signal light red, white, yellow, green Plus (ZS+) Order No. 5944 ..	Room bus	Hallway: - next to/above the room door	-	-
	Room signal light red, white, yellow, green with name plate Plus (ZSN+) Order No. 5948 ..	Room bus	Hallway: - next to the room door	-	-

Figure	Designation	Connection to	Installation site	Voice capability	Connection of patient hand-held device
	Room module with call and presence button (ZM+) Order No. 5920 ..	Room bus Ward bus	Patient room/ duty room: - next to the room door	-	-
	Room terminal with doctor alert and presence 2 Plus (ZT+) Order No. 5925 .. (voice module included in scope of supply)	Room bus Ward bus	Patient's room: next to the door	✓	-
	Duty room terminal with doctor alert and presence 2 Plus (DZT+) Order No. 5929 .. (voice module included in scope of supply)	Room bus Ward bus	Duty room: next to the door	✓	-

Mounting information for the room terminal and duty room terminal:



To ensure an optimal appearance, the distance between the terminal and the voice module should be implemented as shown below. With the products ZT+ (Order No.: 5925 ..) and DZT+ (Order No. 5929: ..), flush-mounted boxes (1-gang and 2-gang) as well as a suitable spacer are included.

Figure 3: Arrangement of flush-mounted boxes and spacer for optimal device alignment

Devices in the room

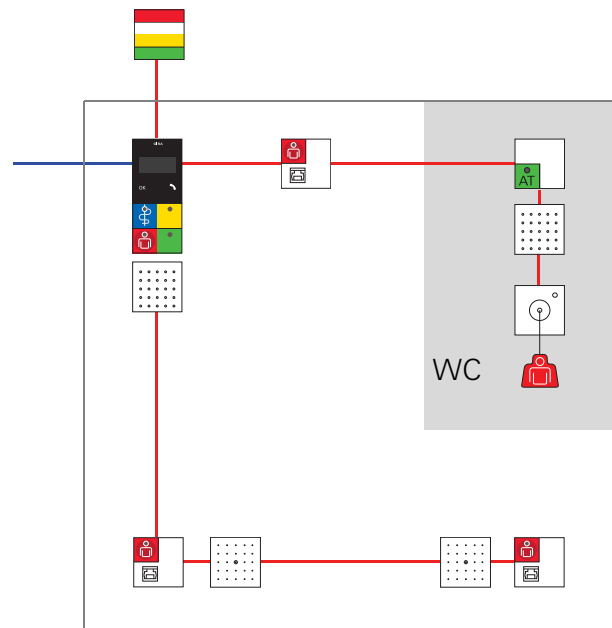
Up to 16 room bus devices can be installed in the room. The control unit (room module or duty/room terminal) and the voice inserts are not counted in this.

Patient rooms in the bathroom unit/WC areas must have a separate switch-off button with which WC calls can be switched off there.

The control unit of a room can be either a terminal (duty room terminal or room terminal) or a room module. A room with a terminal is fundamentally voice-compatible whereas a room equipped with a room module is not voice-compatible.

Room with voice function:

Room terminal 5925 .. (ZT+) or duty room terminal 5929 .. (DZT+) as control unit



Room without voice function:

Room module 5920 .. (ZM+)

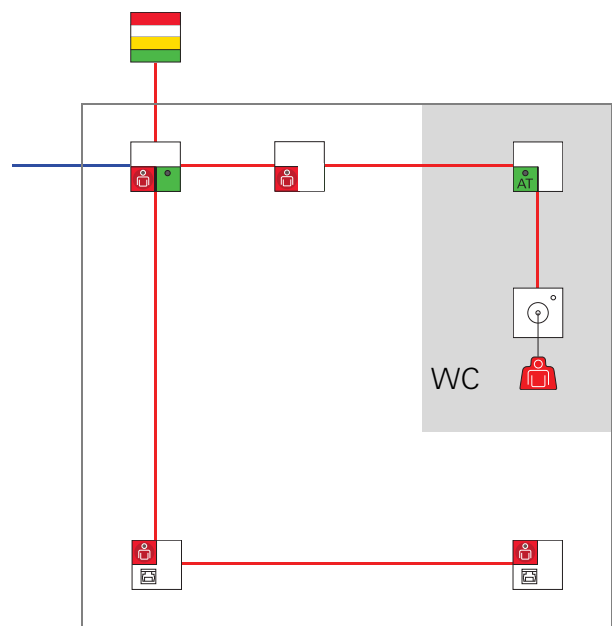


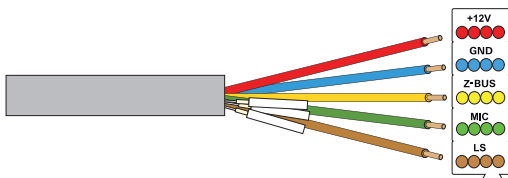
Figure 4: Equipping of a room with and without voice function

Wiring in the room

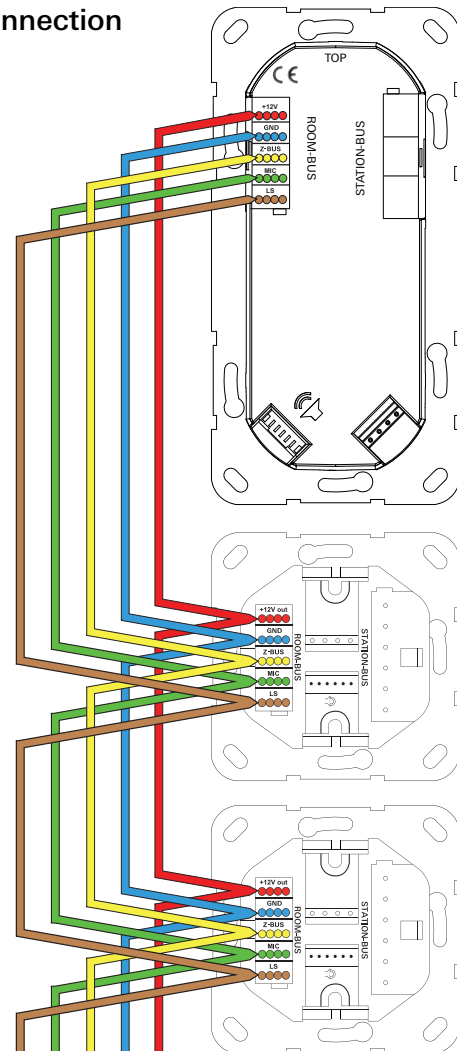
No special system cables are required for wiring at room level for the Gira nurse call system Plus, or in individual cases are included with the devices, (e.g. flat ribbon audio cable).

All room bus devices have unique colour coding for bus terminals.

Wiring is implemented according to the "colour to colour" method, using cable type J-Y(St)Y 4x2x0.6 mm.



Room bus connection



Cable to be used:

Communication line according to DIN VDE 0815
4 x 2 x 0.6 mm

e.g J-Y(St)Y (contains PVC), white wires are not used here (bend away).

Or:

J-H(St)H or

J-2Y(St)H (halogen-free)

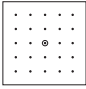
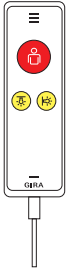
have other colour coding and are twisted 4-fold.
Please observe the information in the system operating instructions.

Figure 5: Wiring of devices in the room: "colour to colour"

With room wiring the following points should be observed:

- The duty room/room terminals or modules supply the room devices with voltage.
- Wiring: from the control unit of the room in a star configuration or from device to device (looping through). See the "Planning" chapter in the system operating instructions.
- Cable length of room bus: max. 40 m.
- Number of devices on the room bus: max. 16 (without duty room/room terminals or modules).

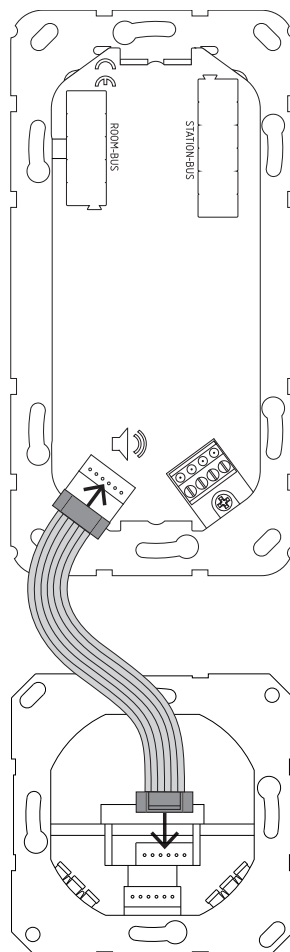
Connecting the voice-compatible components in the room

Figure	Designation	Connection to	Installation site
	Voice module Plus (S+) Order No. 5990 .. (with 5918 .., 5925 .., 5929 .. included in scope of supply.)	Flat plug	Patient's room and duty room: in combination with 5901 .., 5903 .., 5906 ..
	Patient hand-held device (PHG+) Order No. 5960 ..	To ancillary plug contact of: 5901 .., 5903 .. or 5906 ..	Patient's room: - At the bed

Connecting the voice module

All voice-compatible devices can be installed with or without the voice function. If the voice function is desired, the voice-compatible device is connected with a voice module (audio flat ribbon cable included).

Connection of voice module to the terminal:
5925 .. (ZT+)
5929 .. (DZT+)



Connection of voice module to the room device:
5901 .. (RN+)
5903 .. (RAN+)
5906 .. (RND+)

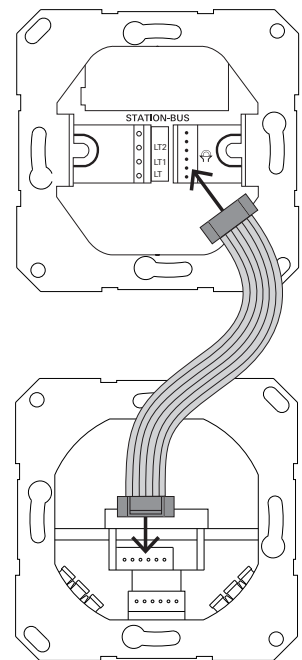


Figure 6: Connection of the voice module 5990 .. via flat ribbon cable to a voice-compatible room device

Connecting the patient hand-held device

All voice-compatible devices can be installed with or without the voice function. If the voice function is desired, all voice-compatible room devices can be connected with the voice module via the included audio flat ribbon cable.

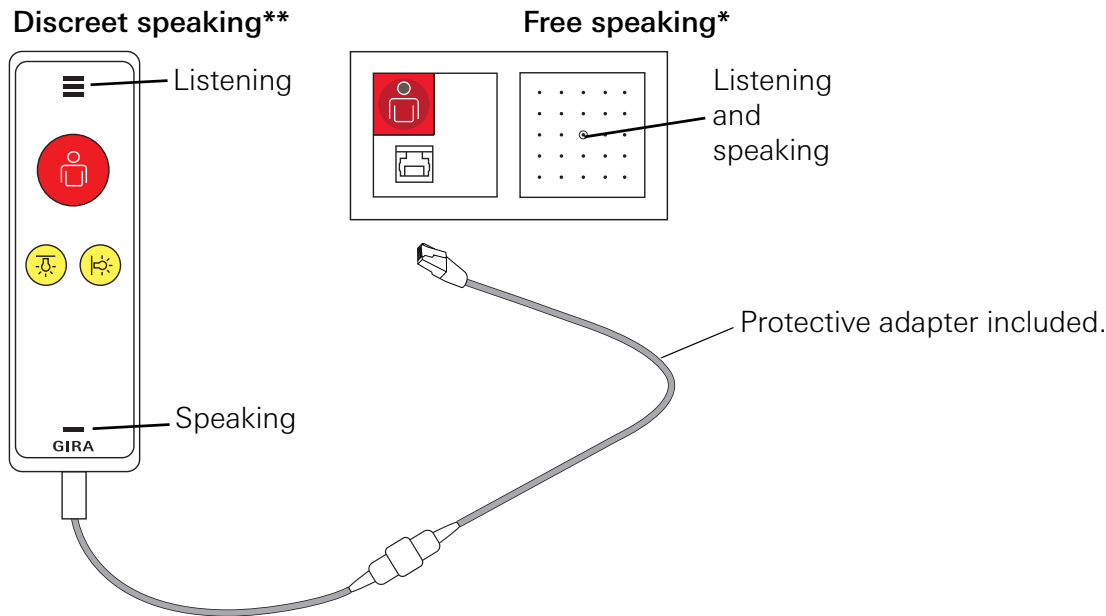


Figure 7: Connection between the patient hand-held device and the room device with ancillary plug contact

The voice call

voice calls occur when a call/emergency call has been triggered.

With the Gira nurse call system Plus, two types of voice calls are differentiated:

- **Free speaking*** via voice module and patient hand-held device: following call triggering via pressing the red call button, free speaking and listening is possible.
- **Discreet speaking**** via the patient hand-held device: following call triggering via pressing the red call button on the patient hand-held device, free speaking is first possible. The "discreet speaking" function is only possible after the button on the patient hand-held device has been pressed twice. The patient hand-held device is held to the mouth and ear like a telephone receiver for discreet speaking.

Connecting the patient hand-held device

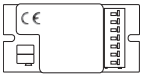
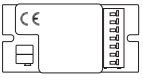
After connecting the patient hand-held device via protective adapter to a room device with ancillary plug contact, the flashing LED requests pressing the call button once on the patient hand-held device. This process checks the functionality of the hand-held device (PHD test). This test does not trigger a call.

Plug removal

When the cable of the patient hand-held device is pulled out of the socket, a "plug removal call" occurs. This call must be confirmed by pressing the green button of a duty room/room terminal or room module for at least 3 seconds.

See the "Functions" chapter in the system operating instructions for more information.

Switching the room light

Figure	Designation	Connection to	Installation site
	Impulse relay 1-pole Order No.: 2964 00	To 5901 ..., 5903 ..., 5906 ..., with 4- pole plug	between the room device with ancillary plug contact and consumer.
	Impulse relay 2-pole Order No.: 2965 00	To 5901 ..., 5903 ..., 5906 ..., with 4- pole plug	between the room device with ancillary plug contact and consumer.

The light at the bed and/or in the room can also be switched via the patient hand-held device as well as call triggering.

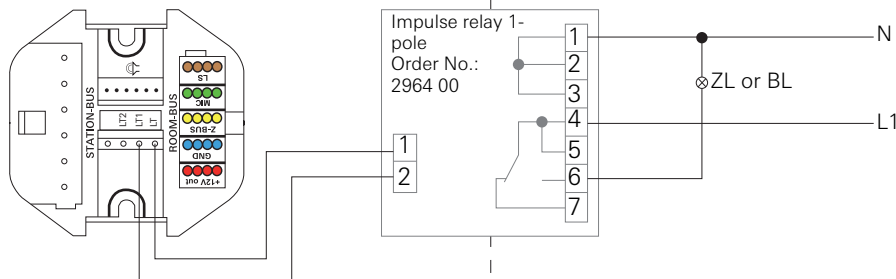
Coupling to the house electronics (e.g. light in the room and/or reading lamp at the bed) is via the 1- or 2-pole impulse relay (see the "Installation" chapter in the system operating instructions). The terminals LT, LT1 and LT2 are zero-voltage.



Important: ensure spatial separation of cable material and devices.

Ensure distance between the 24 V DC and 230 V~ AC. Observe the regulations!

Call and switch-off button
with ancillary plug contact
(RAN+)



Call and switch-off button with
ancillary plug contact (RAN+)

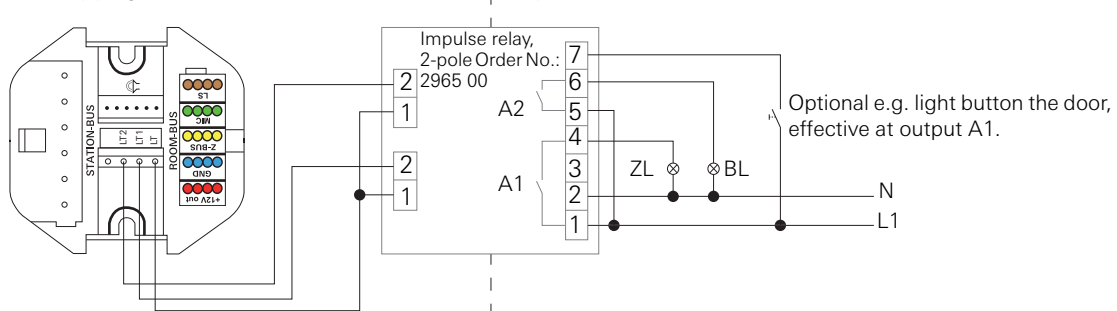


Figure 8: Connection of room light (ZL) and/or bed light (BL)

Ward

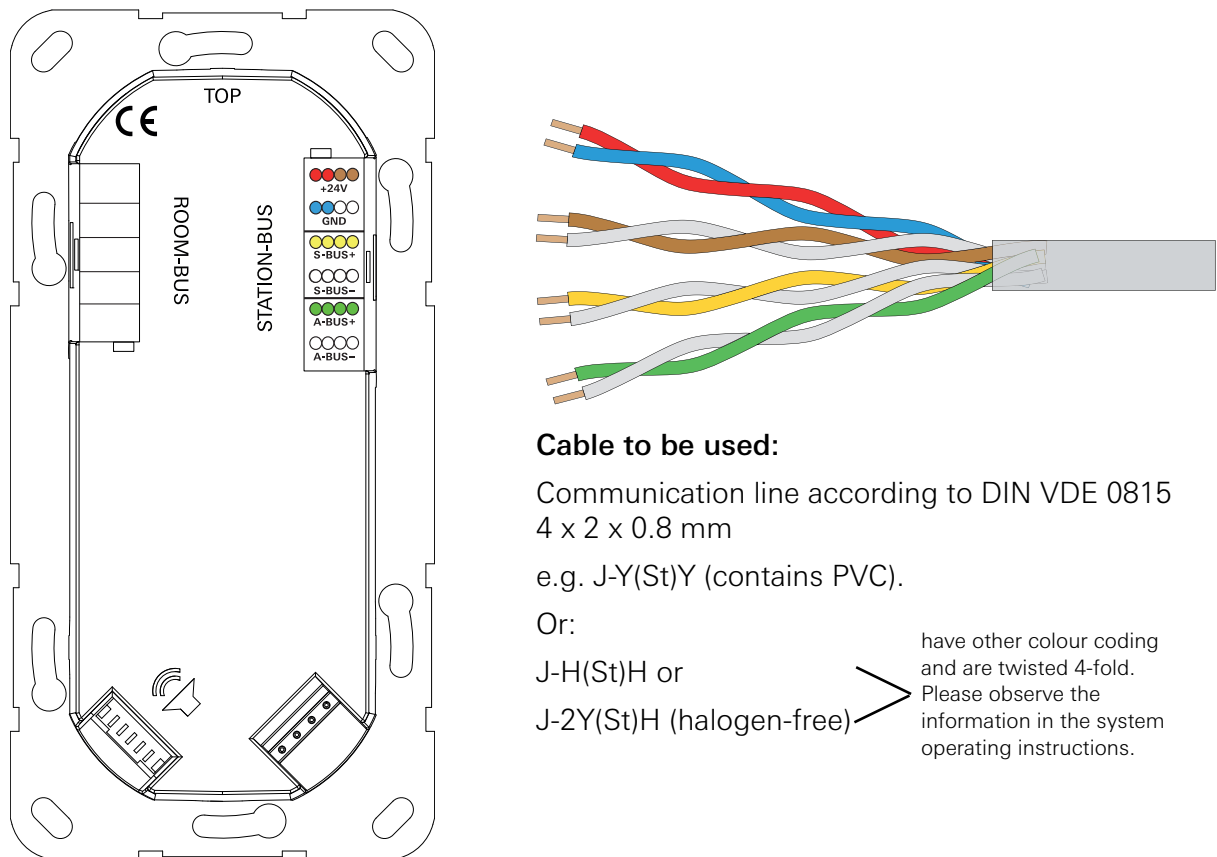
The central control unit for the ward is the ward control centre (SZ+). This interconnects the central control devices at room level (duty room/room terminals, room modules) via the ward bus.

Figure	Designation	Connection to	Installation site	Voice compatibility
	Ward control centre Plus (SZ+) Order No. 5971 00	Ward bus System bus	e.g. plant room of the ward	Only control of voice transmission.
	Room module with call and presence button (ZM+) Order No. 5920 ..	Room bus Ward bus	Patient room/duty room: - next to the door	-
	Room terminal with doctor alert and presence 2 Plus (ZT+) Order No. 5925 .. (voice module included in scope of supply)	Room bus Ward bus	Patient's room: - next to the door	✓
	Duty room terminal with doctor alert and presence 2 Plus (DZT+) Order No. 5929 .. (voice module included in scope of supply)	Room bus Ward bus	Duty room: - next to the door	✓
	Door module voice Plus (TMS+) Order No. 5919 ..	Ward bus	Ward door: - next to the door	✓
	I/O module flush-mounted Plus (IOUP+) Order No. 5978 00	Ward bus	any	-
	I/O module surface-mounted Plus (IOAP+) Order No. 5979 00	Ward bus	e.g. plant room of the ward	-
	Hallway display Plus (FD+) Order No. 5976 00	Ward bus	Ward hallway	-
	Hallway display two-sided Plus (FDD+) Order No. 5977 00	Ward bus	Ward hallway	-

Wiring of the ward bus

A telecommunications cable J-Y(St)Y 4 x 2 x 0.8 mm is recommended for wiring the ward bus. Special system cables are not required or in individual cases are included with the devices (e.g. flat ribbon audio cable with duty room/room terminals).

The colour coding of the ward bus terminals of the devices corresponds to the colour coding of the J-Y(St)Y 4 x 2 x 0.8 mm cable type.



Cable to be used:

Communication line according to DIN VDE 0815
4 x 2 x 0.8 mm

e.g. J-Y(St)Y (contains PVC).

Or:

J-H(St)H or

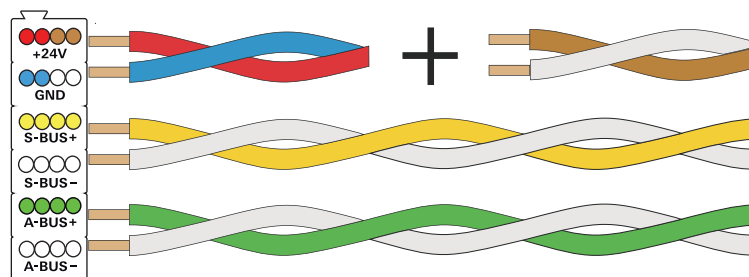
J-2Y(St)H (halogen-free)

have other colour coding and are twisted 4-fold. Please observe the information in the system operating instructions.

Figure 9: Connection of cable material to a ward bus device is connected "colour to colour"

Wiring of the ward bus terminal

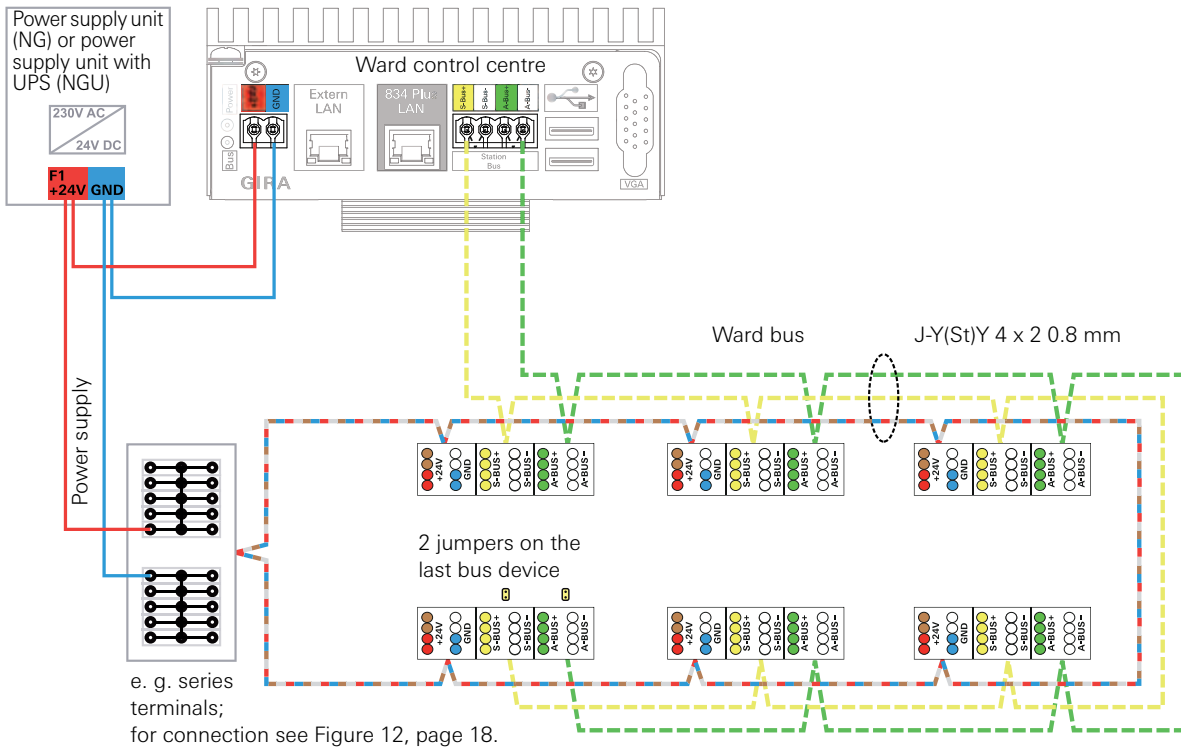
Wire pairs red/blue and brown/white are used for power supply (doubling of cross-section).



Both wire pairs yellow/white (data bus) and green/white (audio bus) must each be twisted in the complete system (twisted pair).

Figure 10: Use of 2 wire pairs for doubling of cross-section with power supply

Connection of the bus participants to power supply and bus line



Legend:

- — — — Power supply: maximum 300 m per power supply unit. Close cable in a ring configuration. 24 + (red and brown), GND (blue and white).
- - - - - - Ward bus: wire pair yellow and white. Max. 1,000 m / max. 52 ward bus participants.
- - - - - - Audio bus: wire pair green and white. Max. 1,000 m.

Figure 11: Example of wiring diagram for connection of bus participants to ward bus and power supply

The bus lines (yellow/white and green/white) must be looped through from device to device. The ward control centre is always the start of the data bus. Branching is not permissible. The cable must not be connected in a ring configuration, in contrast to the power supply.

The last ward bus device must be equipped with two yellow jumpers (included with supply of the ward control centre) to activate the terminating resistances (120 Ω).

Measurement of terminating resistances in the system:

- All devices on the ward bus must be disconnected from the power supply.
- Measurement occurs between yellow and white (data bus) or green and white (audio bus).
- The result with applied jumpers:
 - approx. 60 Ω with connected ward control centre
 - approx. 120 Ω without connected ward control centre

System power supply

The nurse call system Plus is operated with 24 V continuous current.



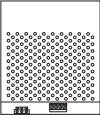



Important: Ensure uninterruptible power supply!

The devices of the nurse call system Plus must be supplied with uninterruptible power supply. (See VDE 0834 Part 1)

If a central, uninterruptible power supply (230 V) is available in the building to be installed, the power rectifiers (Order No.: 5981 00 and 5998 00) can be used without integral uninterruptible power supply (UPS).

If no central UPS is available, the power rectifier with UPS (Order No.: 5999 00) must be used.

For the nurse call system Plus the following DC voltage supplies are available:

Figure	Designation	Description	Installation site
	Power rectifier Plus (NG+) Order No. 5981 00	According to EN 60950-1 Input: 230 V AC Output: 24 V DC / 6 A	Plant room - Mounting in sub-distribution unit / DIN top-hat rail
	Power rectifier Plus surface-mounted (NGA+) Order No. 5998 00	According to EN 60950-1 Input: 230 V AC Output: 24 V DC / 6 A	Plant room - Surface-mounted
	Power rectifier UPS Plus (NGU+) Order No. 5999 00	According to EN 60950-1 Input: 230 V AC Output: 24 V DC / 6 A batteries: 2 x 12 V / 12 Ah self-monitoring.	Plant room - Surface-mounted
	Batteries for power rectifier UPS Order No. 5991 00	According to EN 60950-1 2 x 12 V / 12 Ah	Plant room - Surface-mounted

Power supply (24 V wiring) for a ward

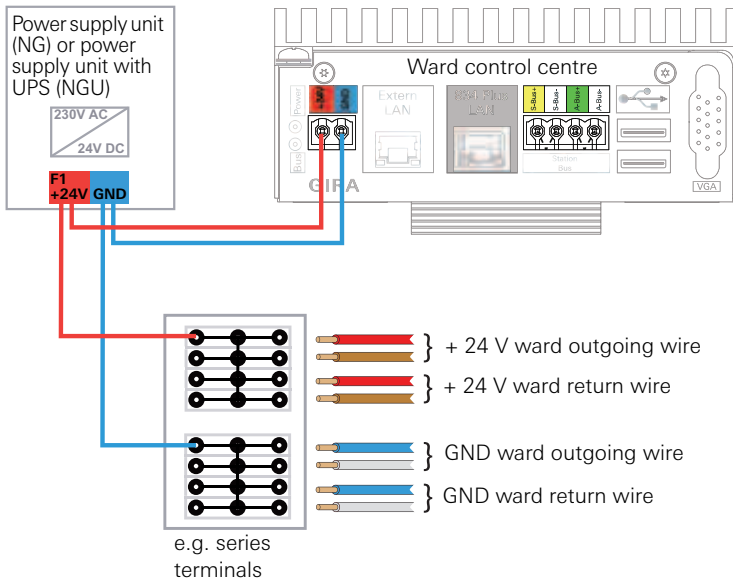


Figure 12: Outgoing and return wire of power supply to series terminal

Equipotential bonding

If several power supply units are used in a system, then equipotential bonding between the earth wires and the individual power supply units should be implemented (1.5 mm² recommended).

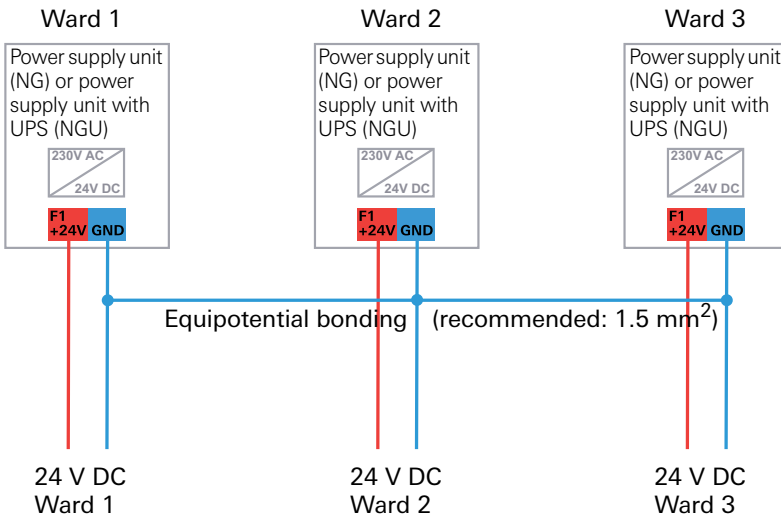


Figure 13: Equipotential bonding between the power supply units of a system

Equipotential bonding should also be implemented even when several power supply units are used in only one ward.

Energy point table (calculation of maximum number of devices per power supply unit)

With the help of the energy point table, the maximum number of devices that can be supplied from one power supply unit is calculated. The basis for this calculation are the energy points. The energy points are measured so that the factor of simultaneity is taken into account with system operation. The room devices are already included in the energy points of the duty room/room terminals. Only the devices directly connected to a power supply unit are considered in the table.

Supplier	Art. No.:	Points
Power rectifier 24 V/6 A	5981 00	55
Power rectifier 24 V/6 A, surface-mounted	5998 00	55
Power rectifier 24 V/6 A, surface-mounted with UPS	5999 00	55

Calculation example:

Number of devices	Points
1	55

Devices	Abbreviation	Points
Duty room terminal	DZT+	2
Room terminal	ZT+	2
Room module	ZM+	1
Hallway display, one-sided	FD+	2
Hallway display two-sided	FDD+	3
I/O module ward bus surface-mounted Plus (8/8)	IOAP+	1
I/O module ward bus flush-mounted Plus (2/2)	IOUP+	1
Ethernet switch	SW+	1
Ward control centre Plus	SZ+	4
System central control unit Plus	SSZ+	6

Number of devices	Points
1	2
22	44
1	3
1	1
1	1
1	4

Total energy points of connected devices

55

In the above example the devices of a ward consume 55 energy points, and so this ward needs only one power supply unit as this supplies 55 energy points.

If a power supply unit is not sufficient for supply of a ward, then a further power supply unit must be installed in the system.



Important: Do not connect power supply units in parallel.

A new voltage line must be installed for each further power supply unit in the system. Parallel switching of power supply units is not permissible!

I/O modules in the call system

Uses of the I/O module include the integration of messages from systems from other manufacturers, e.g. from a lift, emergency lighting or the door bell, etc. The I/O modules provide inputs and outputs. A voltage signal on the input triggers a system call (call type and location of signalisation can be selected as desired). The outputs respond to a call from the system. Here as well, the call type and location of signalisation can be selected as desired.

I/O module 8-gang

The 8 inputs of this module are split into 2 groups (input 1-4 and input 5-8). Each group of 4 inputs has a common reference point (COM 1-4 and COM 5-8). Voltages of 5-30 V AC/DC can be applied to the inputs. External voltages and the integral output voltage of the module (+24 V out and GND out) can be connected. Function of output: see device label.

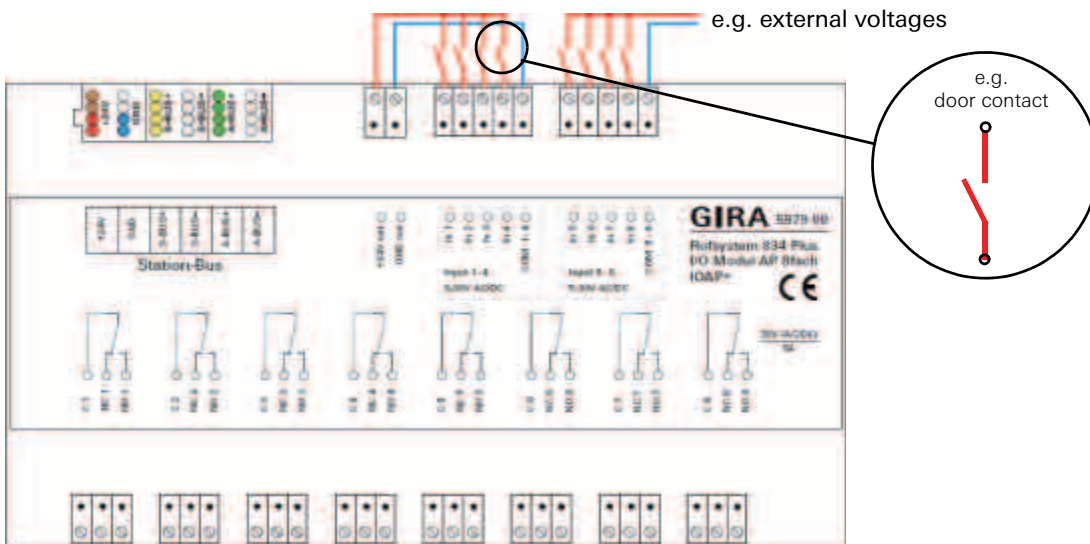


Figure 14: I/O module 8-gang

I/O module 2-gang

External voltages of 5-30 V AC/DC can be applied to both inputs as input signals, and these input voltages can differ. Function of output: see device label.

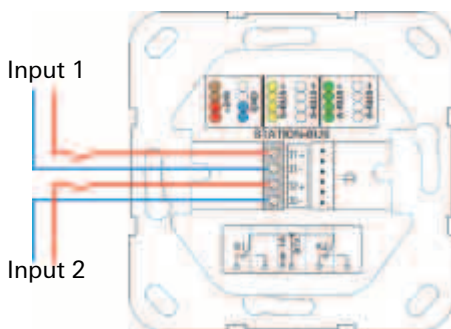
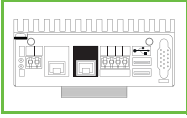
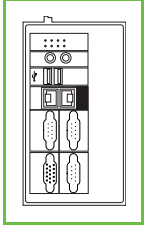




Figure 15: I/O module 2-gang

System

Figure	Designation	Connection to	Application in large system	Application in small system
	Ward control centre Plus (SZ+) Order No. 5971 00	Ward bus System bus	✓	✓ Only as single device when no system central control unit is used.
	System central control unit (SSZ+) Order No. 5970 00	System bus	✓	-
	Duty room terminal CT9 Order No. 5927 00	System bus	✓	✓
	Ethernet switch (SW+) Order No. 5985 00	System bus	✓	✓

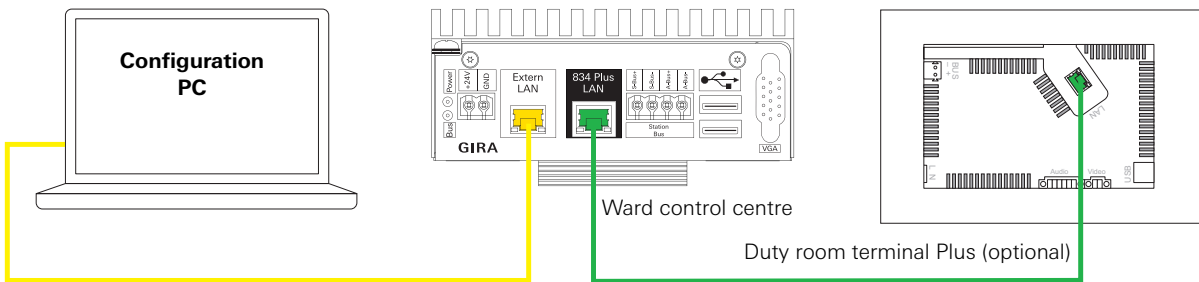
All devices existing in a call system are automatically recognised, and this also applies for the removal and addition (exchange) of devices.

The configuration assistant is used for parameterisation, see page 27 and page 26.

Wiring of the system bus

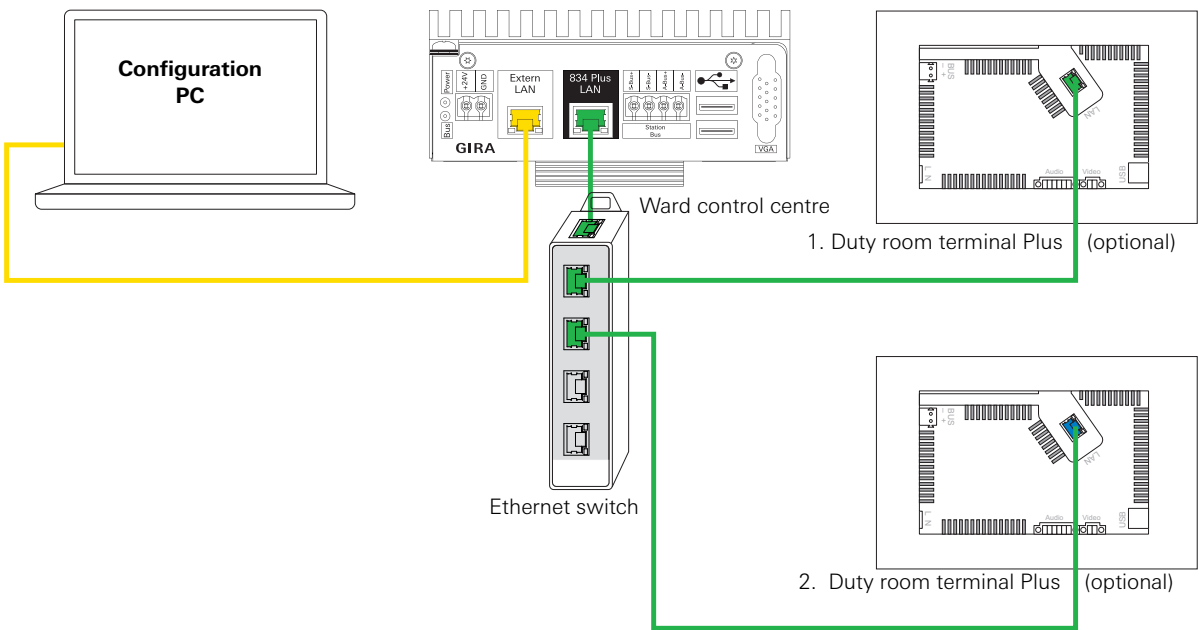
The diagrams show the connections of the network components of the nurse call system Plus (834 Plus LAN and external LAN). In reality the network cables are installed flush-mounted and the components interconnected via network connection boxes.

Schematic diagram of the system level for small systems



Structured cabling according to the ISO standard (ISO/IEC 11801 (2002)) Ethernet, cable material twisted pair, cat. 5 or greater

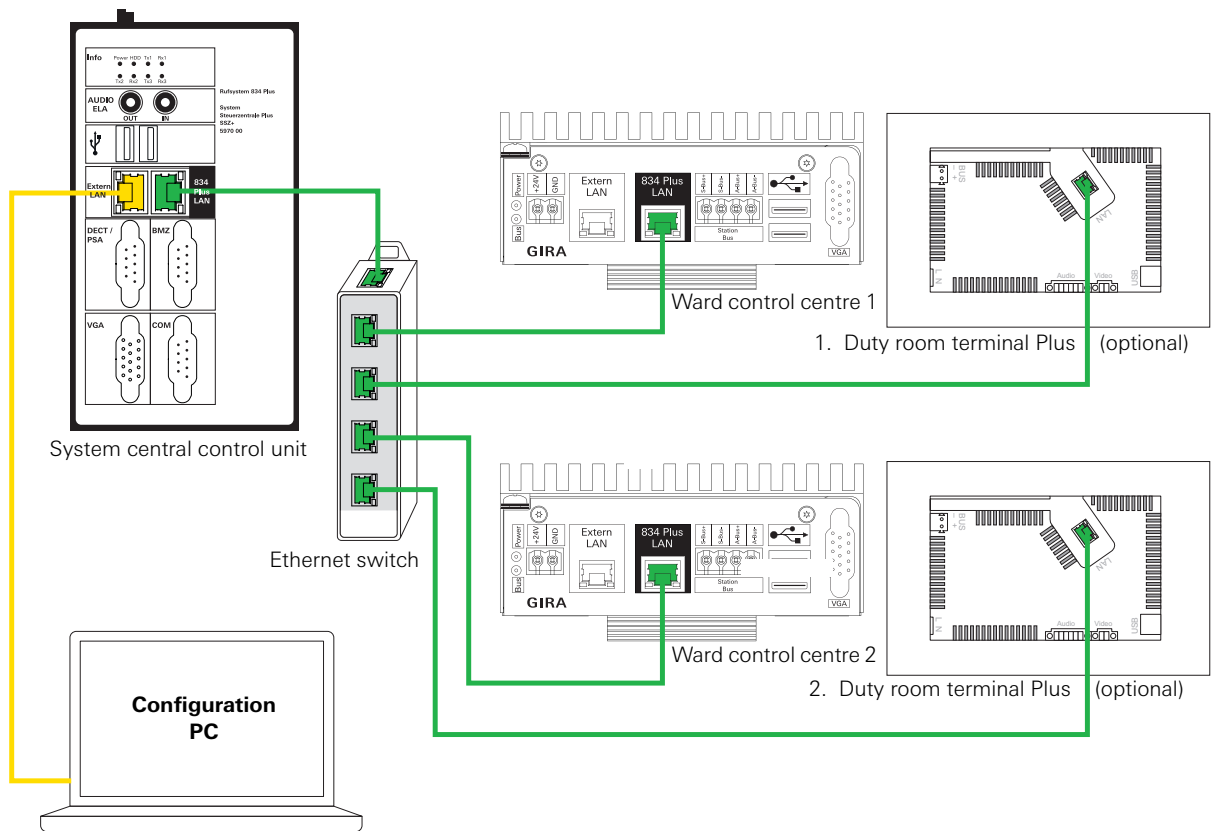
Figure 16a: Small system with a Gira Control 9 duty room terminal Plus



Structured cabling according to the ISO standard (ISO/IEC 11801 (2002)) Ethernet, cable material twisted pair, cat. 5 or greater

Figure 16b: Small system with several Gira Control 9 duty room terminals Plus

Schematic diagram of the system level for a large system



Structured cabling according to the ISO standard (ISO/IEC 11801 (2002)) Ethernet, cable material twisted pair, cat. 5 or greater

Figure 17: Connection of network components at system level (large system)

Identification numbers (IDs) of the devices

All system devices (room bus and ward bus participants as well as ward control centres and duty room terminals CT9) have individual identification numbers (IDs). For all devices these numbers have 7 digits (example ID: 72-04667).

The first 2 digits describe the device type. In the following example, 72 means that this concerns a room module. The next 5 digits represent the individual device number, assigned during device production.

Each system device has 2 (coherent) labels printed with the same ID. One of the labels is firmly stuck to the device, the second is stuck but can be removed and attached to the ward plan.

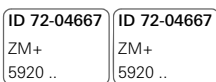
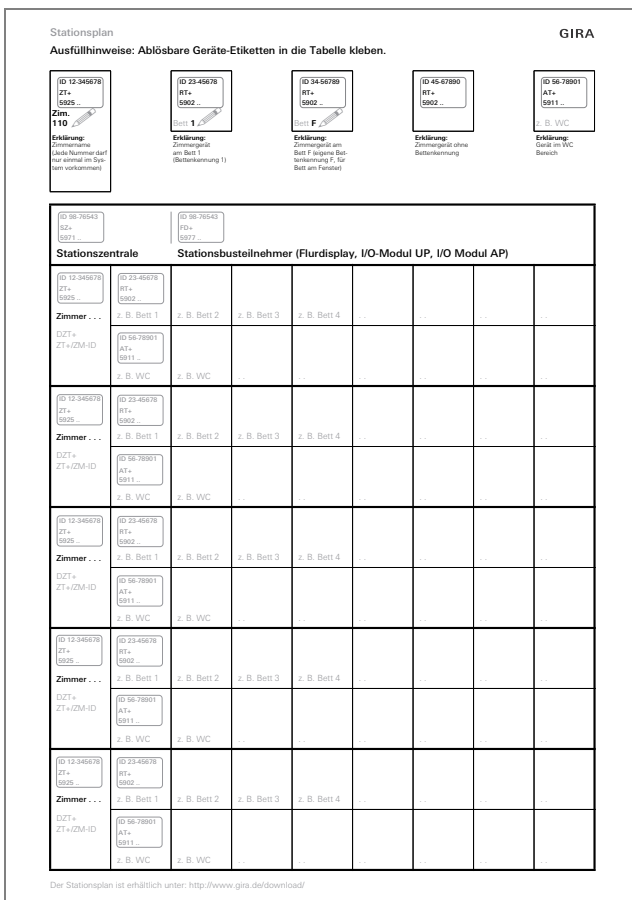


Figure 18: Device labels with device ID for sticking into the ward plan

Sticking one of the two labels onto the ward plan makes parameterisation with the configuration software easier, as the software recognises the device but not its installation site. Which device was installed at which location and in which room must be entered into the software with the aid of the ward plan.



The ward plan is available in the Gira download area at Documentation, Operating Instructions, nurse call system Plus.

Figure 19: Ward plan for attaching the device labels to

Start-up of a call system

After switching on the system, all system devices register at the central control unit,

- with a small system at the ward control centre,
- with a large system at the system central control unit.



Note: the duration of the registering process may vary.

The registering process for devices in the system may require up to 5 minutes with a large system.

After the central unit has recognised the system devices, these are then automatically monitored.

The system devices can now be parameterised with the configuration assistant.

For the duty room/room terminals, a plain text name or a room number must be assigned.

Failed devices are immediately displayed in the system.

Subsequent integration of devices is possible at any time.

Removing devices from the system

Procedure:

- First physically remove the device from the system.
- Then this device must also be removed from the configuration assistant software.

Setting up a duty room terminal CT9

A room control unit (duty room/room terminal or room module) is required in the duty room for operating a duty room terminal CT9.

With the aid of the configuration assistant, the room control unit is linked to the duty room terminal CT9. The devices are then functionally interconnected.

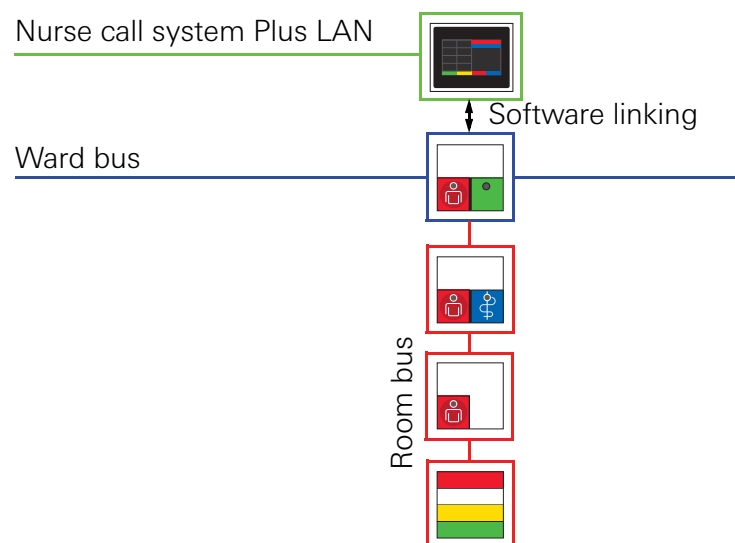


Figure 20: Example with a room module as room control unit and CT9

Configuration of the system

The ward control centre and system central control unit each have two network connections (RJ 45). The "nurse call system Plus LAN" network connection interconnects the devices of a call system via an Ethernet switch.

The "external LAN" network connection is for connection to an external PC (for configuring the call system) or to an external (hospital) network or for connection to a time server on the Internet.

Parameterising of a small system

Only one ward control centre is used. This serves as central control device for the complete system.

All ward control centres are preconfigured as standard for use in a large system and must therefore be configured for use in a small system (see Figure 21).

Connect the start-up PC with the ward control centre (external LAN); see the short instructions for the ward control centre.

Start the Internet browser on your start-up PC (Firefox from Version 4 or Google Chrome from Version 11 is recommended).

For logging into the configuration assistant (see Figure 22) you need the following configuration assistant information:

Enter the IP address of the ward control centre in the address bar of the browser:

192.168.0.111

Log on with the user name and password.

User name: **admin**

Password: **admin**

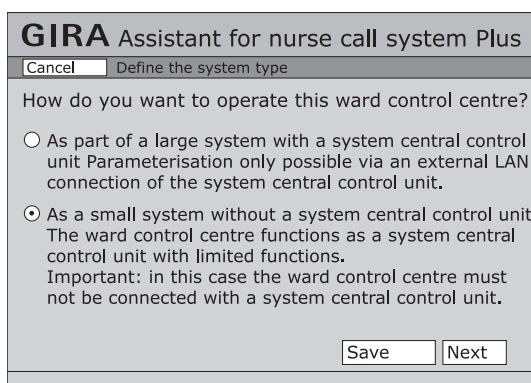


Figure 21: Configuration assistant in a ward control centre

You can find further information in the short instructions to the ward control centre and in the chapters "Start-up" and "Functions" of the system operating instructions, and in the online help of the configuration software.

Parameterising of a large system

A system central control unit with several ward control centres is used. The system central control unit serves as a central control unit for the complete system and can be configured for this use.

Setup and configuration of organisational units is carried out here.

Connect the start-up PC with the system central control unit (external LAN); see the short instructions for the ward control centre.

Start the Internet browser on your start-up PC (Firefox from Version 4 or Google Chrome from Version 11 is recommended).

For logging into the configuration assistant (see Figure 22) you need the following information:

Enter the IP address of the system central control unit in the address bar of the browser:
192.168.0.111

Log on with the user name and password.

User name: **admin**

Password: **admin**

Figure 22: Start screen of the configuration assistant in the system central control unit or ward control centre

Figure 23: Overview screen in the configuration assistant

You can find further information in the short instructions to the system central control unit and in the chapters "Start-up" and "Functions" of the system operating instructions, and in the online help of the configuration software.

Software packages for connecting external systems

For the system central control unit, software packages are offered to be purchased separately for connecting to

- DECT telephone systems (DECT = Digital Enhanced Cordless Telecommunications) via ESPA 4.4.4, Order No. 5994 00
- Fire alarm systems via ESPA 4.4.4, Order No. 5993 00
- Electrical loudspeaker systems, Order No. 5996 00
- VoIP telephone systems (VoIP = Voice over IP), Order No. 5995 00

The required hardware connections are on the front of the system central control unit, correspondingly designated.

You can find further information in the short instructions to the system central control unit and in the chapters "Start-up" and "Functions" of the system operating instructions, and in the online help of the configuration software.



Figure 24: Key card for enabling (e.g. a DECT telephone system)

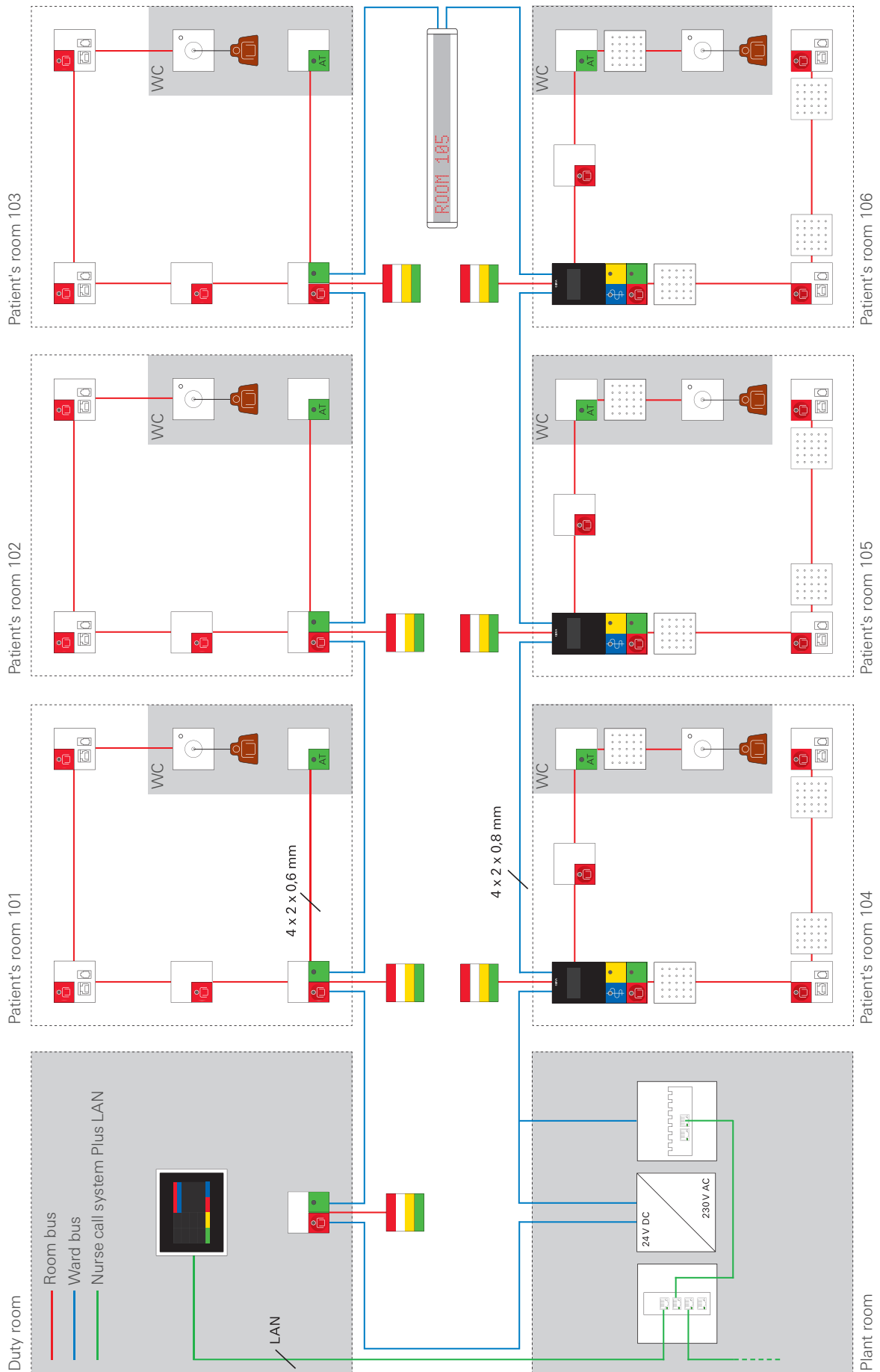
The individual software packages are activated and configured with the configuration assistant (software) in the system central control unit.

Activation and configuration:

- Order one or several supplementary software packages via your sales partner.
- Gira sends you a key card for each software package (see Figure 24).
- In the configuration assistant in the system central control unit, enter your name and the activation code specified on the key card.
- Your name is saved in the system central control unit.
- The corresponding software package is now enabled, and can be called up in the configuration assistant of the system central control unit to be configured as desired.

Maintenance of the Gira nurse call system Plus:

Please observe the information in the standard DIN VDE 0834 (maintenance at least once a year) and additional statutory regulations where applicable.



Gira
Giersiepen GmbH & Co. KG
P.O. Box 1220
42461 Radevormwald
Phone: +49 (0) 2195 / 602 - 0
Fax: +49 (0) 2195 / 602 - 191
Internet: www.gira.com
e-mail: info@gira.com

GIRA