

GIRA



Gira E2
Stainless
steel

03–04	Gira – the company
05–09	Design concept
10–11	Variants
12–17	Impressions
18–23	Functions for the smart home
24–25	Gira Profile 55 surface-mounted solution
26–27	Technical data
28	Design Configurator
29	General information
31	More about Gira
31	Legal information

Tradition and innovation. More than 100 years of Gira



Gira production facility in Radevormwald

From a switch manufacturer to a systems supplier

The roots of the German, family-run company Gira extend back to 1903. In that year, Richard Giersiepen designed a further development of the then-common toggle switch and applied for a patent. Two years later, he and his brother Gustav founded a company to bring his invention and other home installation products to market. With this step in 1905, the Giersiepen brothers laid the foundation for a great success story. Since that time, Gira has continuously evolved – from a switch manufacturer to a system supplier for intelligent building technology. Today, Gira is led by the fourth generation of the family.

Quality that is 'Made in Germany'

From the beginning, Gira has relied on quality – and not only in regard to materials and processing. Optimisation and advancement have always played a central role in the entire product range, as in the initial patent application. This is indicated by numerous innovations with which Gira has decisively shaped the market for electrical installations for more than a century: from a modular system for switches, buttons, and covers, and the integration of intelligent features, such as door communication into the switch ranges, to the Gira HomeServer and the Gira Interface for intuitive control of building technology.

On several occasions, Gira's innovative capacity has been honoured with the renowned Plus X Award for the most innovative brand in the field of home technology.

Award-winning design

In addition to the highest standards of quality and function, the topic of design has a long tradition at Gira. Gira products regularly receive awards in international design competitions such as the Red Dot Award and the iF Design Award. However, Gira products excel through more than just their design, materials and workmanship. By continuously integrating new technologies, functions and systems up to software development, Gira is setting new standards for holistic product design. The Gira G1 is the latest example of this.

DIN EN ISO 9001

Quality that is 'Made in Germany' is highly valued at Gira in all areas of activity. This is ensured by continually maintaining the company's quality management system in accordance with DIN EN ISO 9001:2008, and confirmed by independent, external certification audits.

Member of the KNX Association and CEDIA

As a member of the KNX Association and CEDIA, Gira ensures that its products and solutions meet international standards that are not tied to a particular manufacturer.

Experiencing Gira live

In the Gira studios, the interaction of home entertainment and intelligent building technology can be experienced live. Experts such as system integrators and audio specialists use these spaces to present the latest achievements in building technology and multi-media, as well as various interlocking functionalities, in a sophisticated ambiance.

In the other showrooms, there is an application-oriented presentation of Gira products in combination with technology for other fields including sanitary, heating, air conditioning or ventilation applications. The products are also presented integrated in diverse living spaces, for example in upscale furniture stores.

You can find Gira showrooms in your area www.gira.com/showrooms

The new range



Gira E2, pure white glossy
Gira E2, pure white matt
Gira E2, colour aluminium
Gira E2, anthracite



New
Gira E2, stainless steel



New
Gira E2 flat installation, stainless steel
Gira E2 flat installation, pure white glossy
Gira E2 flat installation, pure white matt
Gira E2 flat installation, colour aluminium
Gira E2 flat installation, anthracite



Gira E2, stainless steel, touch switch

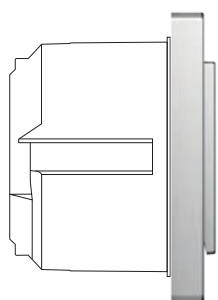
The successful Gira E2 switch range, which is a firm favourite with architects, combines a pared down design with intelligent technology.

New frames and inserts in high-quality stainless steel have been added to the switch range, opening up a whole new set of design possibilities. As a result, planners can fit out buildings with a consistent design, while differentiating various areas in terms of value. The frames boast impressively precise workmanship and surface processing with a permanently attractive, cool-silver satin sheen. Its elegant appearance makes Gira E2 stainless steel particularly suited to sophisticated interior styles, both in the private and commercial sphere.

The frames for flat installation are also new. Protruding a mere 3.4 mm from the wall, they blend in with the architecture in a particularly elegant fashion – and thereby provide an additional design option.

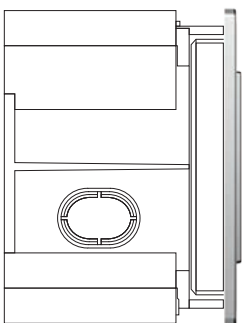
With the great functional depth offered by Gira System 55, the Gira E2 switch range can meet the challenges of a modern and future-proof electrical installation. From door communication and automatic lighting and blind control through to networked KNX-based or wireless building technology, a wide range of intelligent applications can be implemented and customised to your own smart home.

Gira E2



The Gira E2 switch range is installed in standard 58 mm flush-mounted boxes or in cavity boxes.

Gira E2 flat installation



Gira device boxes for cavity walls and/or flush-mounted boxes for masonry are available as accessories for the flat installation of the Gira E2 switch range.

Gira E2



Pure white glossy

Pure white matt

Installation

Installation in standard flush-mounted or cavity boxes

Material

Thermoplastic:
Shatter-proof, UV-resistant plastic with easy-care surface

Stainless steel:
High-quality material, resistant surface with cool-silver silky lustre

Dimensions in mm

Frame, 1-gang:
W 80.8 × H 80.8 × D 9.3
Corner radius thermoplastic: 0.5
Corner radius stainless steel: 2,5

Frame variants

1–5-gang,
1.5-gang [only available in thermoplastic],
2-gang without crossbar



Colour aluminium

Anthracite



Stainless steel

Gira E2 flat installation



Pure white glossy

Pure white matt

Installation

Installation in cavity walls with Gira device boxes, or in brickwork in Gira device boxes and flush-mounted boxes (accessory).

Material

Thermoplastic:
Shatter-proof, UV-resistant plastic with easy-care surface

Stainless steel:
High-quality material, resistant surface with cool-silver silky lustre

Dimensions in mm

Frame, 1-gang:
W 87.8 × H 87.8 × D 3.4
Corner radius thermoplastic: 0.5
Corner radius stainless steel: 2,5

Frame variants

1–4-gang
2-gang without crossbar



Colour aluminium

Anthracite



Stainless steel



Gira E2 stainless steel, touch sensor3, 1-gang



Gira E2 flat installation, pure white glossy surface-mounted home station video Plus



Gira E2 pure white glossy, operating top unit, blind



Gira E2 flat installation, anthracite, touch switch



Gira E2 stainless steel, touch sensor3, 3-gang



Gira E2 flat installation, stainless steel, touch switch

Intelligent operating points for the smart home



The Gira E2 switch range is based on the modular Gira System 55. It thus offers a large variety of functions for greater convenience, security, and value in the home, and enables each individual smart home to be tailored to its occupants' needs in a future-proof manner: from intelligent stand-alone solutions and door communication systems through to networked KNX-based or wireless building technology.



Gira X1 app – controlling your smart home using a mobile device

Configuration levels for the smart home

A smart home with Gira offers enhanced living comfort, security, and energy savings. Networking and automating your electrical installation is the basis for this – either wirelessly with a service such as eNet, or via cable (e.g. KNX). The use of a Gira server further extends the range of functions and allows the building technology to be displayed and controlled on Gira display devices or smartphones.

Gira offers three configuration levels for the smart home, each of which is designed to meet different requirements: Comfort, Premium and High End.

Comfort

Functions such as lighting and blind control can be installed and linked in a network via the eNet smart home product portfolio in existing buildings as well as new builds – on the basis of a conventional electrical installation.

Premium

The Gira X1 server module make automating and visualising a single-family home more simple, convenient, and economical than ever before. For users and occupiers, this means more convenience and security. Many functions can be remotely monitored and controlled by smartphone when they are away from home.

High End

The Gira HomeServer enables particularly sophisticated, extensive, and individual solutions to be implemented in the smart home. Besides the analysis of consumption patterns and home technology functions such as lighting, shading, and heating, many other systems such as door communication, cameras, or audio systems can be seamlessly integrated and visualised.

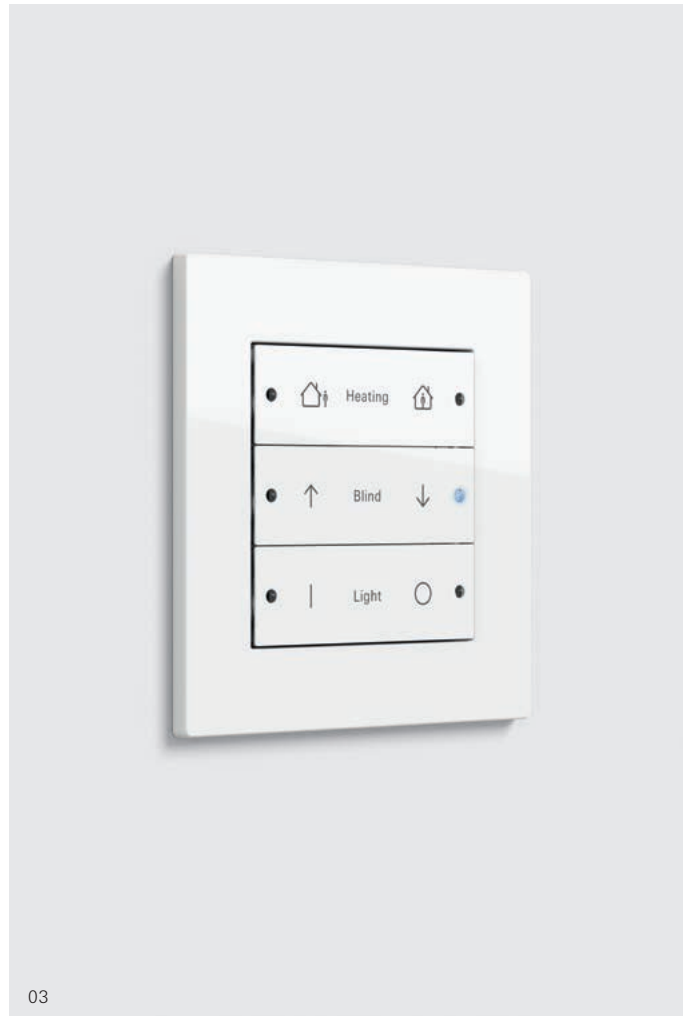
Equipment and features	Comfort Gira eNet server	Premium Gira X1	High End Gira HomeServer
Communication standard	eNet	KNX	KNX
Communication media	Wireless, cable	Cable	Cable
Building functions			
☼ Lighting	••	•••	•••
🪟 Window and door monitoring	•	••	•••
🌬️ Heating/ventilation/air conditioning	–	•••	•••
📏 Measurement and control [e.g. CO ₂ or kWh]	•	–	•••
🪼 Blind/roller shutter/awning	••	••	•••
🎵 Audio	–	–	•••
📄 Value input	•	•	•••
📄 Scenes	•••	•••	•••
📄 Text display	–	••	•••
Additional functions			
🔊 Audio player	–	–	•••
🌐 Browser integration	–	–	•••
📐 Diagrams	–	–	•••
📷 Camera	–	••	•••
📧 Messages	–	–	•••
📰 RSS feed reader	–	–	•••
☁️ Weather forecast	–	–	•••
📊 Value display	•	–	•••
📈 Analysis of energy consumption	•	–	•••
Integration of additional systems	–	–	•••
Configuration options by end users	•••	••	•
User management	•	•	•••
Occupancy simulation			•••
Control devices/visualisation devices			
G1	–	–	•••
Control 9	•••	–	•••
Control 19	–	–	•••
Smartphone [iOS and Android]	•••	•••	•••
Tablet [iOS and Android]	–	••	•••
PC	•••	–	•••
Free visualisation [e.g. floor plan]	–	–	•••
Logic functions	•	•••	•••
Development of own functions [logic modules, function templates, plug-ins]	–	–	•••
Timers - [incl. Astro function]	•••	•••	•••
Messages/alerts			
Email	–	–	•••
Push notification	–	–	•••
SMS	–	–	•••
Call	–	–	•••
Voice messages	–	–	•••
Archive for ...			
Messages	–	–	•••
Camera	–	–	•••
Data	–	–	•••
Audio	–	–	•••
Send/receive IP commands	–	–	•••
Retentive data points	–	–	•••
Sequences	•	••	•••
Remote access [when on the move]	•••	•••	•••
LAN	•••	•••	•••
WLAN	•••	–	–
Fully-encrypted communication	•••	•••	•••

• – •••

The points in the table indicate whether the respective options and properties are available, together with their functional scope. Valid from Quarter 4 2017.



01



03



02

01 Gira Sensotec LED

Finding your way safely in the dark and switching on the room light if needed with a single contactless motion: the Gira Sensotec LED unites these functions in one device. The Gira Sensotec LED is a contactless switch with integrated LED orientation light. When motion is detected, it switches on the orientation light. If more light is needed, the user can switch on the lighting with a single contactless motion from a distance of 5 cm.

02 Gira surface-mounted home station video Plus

The Gira surface-mounted home station video Plus has a uniform front plate: the 5.6 cm (2.2") TFT colour display is flush with the touch-sensitive buttons of the control panel. Gently touching the respective symbol is enough. In order to ensure greater operational reliability, internal calls and switching actions can be assigned individual names. The hands-free function offers high-voice quality, even if the speaker is not standing directly in front of the microphone.

03 Gira eNet wireless wall transmitter

Gira eNet is the bi-directional wireless system for the intelligent networking of building technology, allowing you to control lighting, blinds and scenes easily and wirelessly. The battery-operated Gira wireless wall transmitters can be conveniently placed precisely where switches or buttons are needed, regardless of the mains connections. They can be either securely mounted on the wall or conveniently attached to smooth surfaces with adhesive strips. Bi-colour LEDs indicate both the signal transmission status and the actuator status.



04

04 Gira blind control button Standard

Raising and lowering blinds each day is a breeze with the Gira blind control button Standard. Briefly pressing the button adjusts the slats. If the button is pressed for longer than a second, the blinds and roller shutters automatically go up or down. The Gira blind control system Standard also has an electronic lock.

05
Gira touch sensor 3 Plus
The Gira touch sensor 3 Plus guarantees a particularly high level of convenience when operating numerous KNX functions. In addition to an integrated temperature sensor to measure the local temperature, it also features a controller for direct room temperature control. An external temperature sensor can also be connected if desired. The graphic display clearly presents temperature values, controller status, and messages from the KNX system.



05

06 Gira SCHUKO socket outlet with LED orientation light

The Gira SCHUKO socket outlet with LED orientation light has a recessed light strip that projects a light corridor downwards by means of a white LED. This provides glare-free, indirect orientation light. Furthermore, Gira SCHUKO socket outlets with orientation light feature a twilight sensor that automatically turns on the light when darkness sets in and switches it off again when there is enough natural light.



06



07



09



08

07 Gira System 3000 Display blind timer

Touch-sensitive buttons and a high-contrast illuminated display make operating the Gira System 3000 Display blind timer easier than ever before. In addition to manual operation, the current time for all seven days can be stored for programming the operation times. As an alternative, individual settings can be made separately according to certain days using the menu. The changeover between summer and winter time is carried out automatically.

08 Gira RDS flush-mounted radio

The Gira RDS flush-mounted radio simply sits in the wall – just like the light switches and socket outlets. This avoids annoying cables and keeps work surfaces and counters free. The Gira flush-mounted RDS radio has a distinctively pure sound and supports the processing of stereo signals. Using a separately installed Gira docking station, external music sources can be linked to the Gira flush-mounted RDS radio via Bluetooth.

09 Gira E2 with IP 44 splash water protection

Consistent design, even in damp rooms: no problem with the Gira e2 switch range. The switches, buttons, and SCHUKO socket outlets with hinged cover can also be installed with IP 44 splash water protection using special sealing kits.



Gira Profile 55, 5-gang 600 mm, pure white (lacquered), equipped with Gira flush-mounted RDS radio, rocker switch, and two Gira British Standard socket outlets

The appropriate surface-mounted solution – the Gira Profile 55



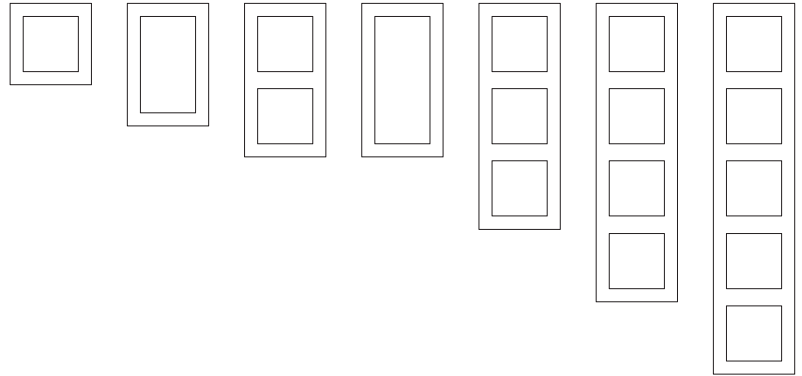
Gira Profile 55 with angled mounting bracket, 3-gang, pure white (lacquered), equipped with Gira flush-mounted RDS radio, and Gira British Standard socket outlet

The Gira Profile 55 allows an existing electrical installation to be expanded with no fuss – and without having to prise open the wall. In the event of a house move, the expansion can easily be removed and taken along. The profile is available with up to eight empty units and in many different variants. It can be individually equipped with virtually all the functions from the Gira System 55.

Technical data

Gira E2

Frame variants/Dimensions in mm



Platform
System 55

Installation type
Flush-mounted

Material
Thermoplastic, in the following colours:
Pure white glossy
Pure white matt
Colour aluminium
Anthracite

Shatter-proof, UV-resistant plastic with easy-care surface

Stainless steel:
High-quality material, resistant surface with cool-silver silky lustre

Design
Gira design team,
Radevormwald

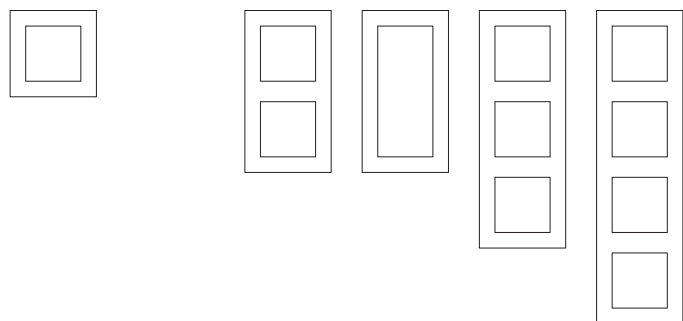
Awards
International Design Award,
Red Dot
Design Innovations,
iF Product Design Award

1-gang	1.5-gang*	2-gang	2-gang without crossbar	3-gang	4-gang	5-gang
W 80.8	W 80.8	W 80.8	W 80.8	W 80.8	W 80.8	W 80.8
H 80.8	H 121.4	H 151.9	H 151.9	H 223.4	H 294.7	H 366.0
D 9.3	D 9.3	D 9.3	D 9.3	D 9.3	D 9.3	D 9.3

Corner radii: 2.5 mm [stainless steel], 0.5 mm [thermoplastic]

Gira E2 flat installation

Frame variants/Dimensions in mm



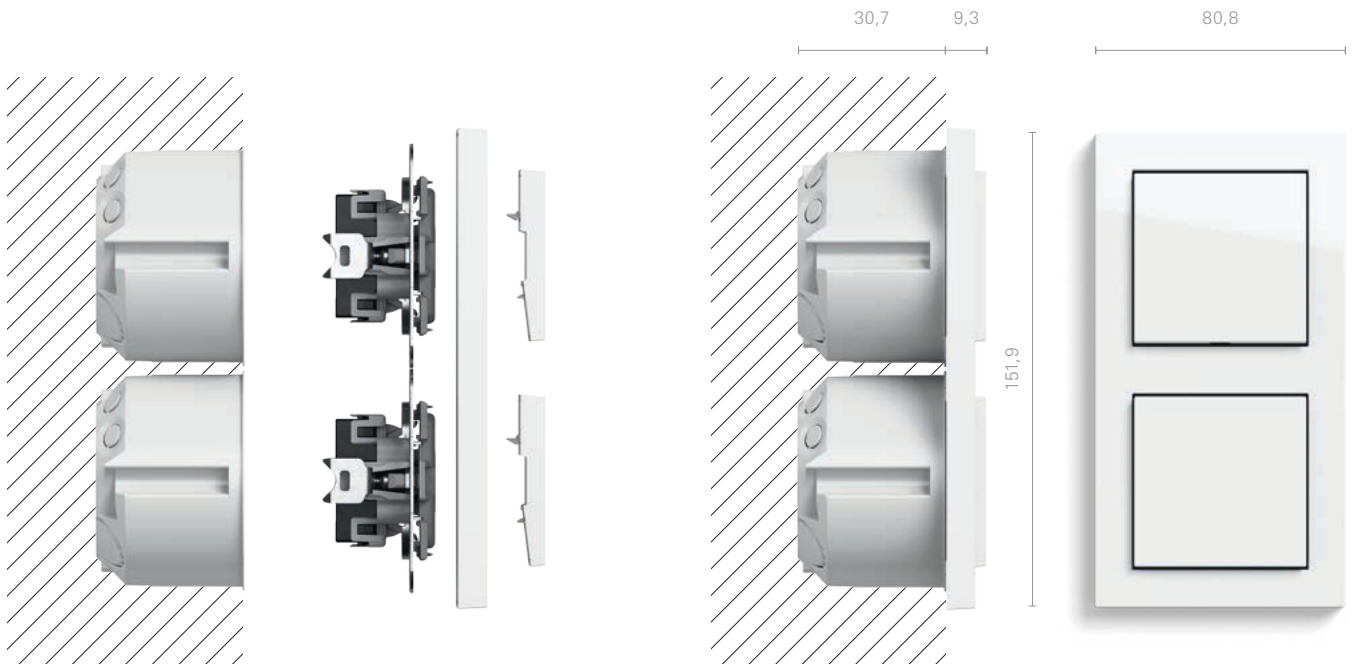
1-gang	2-gang	2-gang without crossbar	3-gang	4-gang
W 87.8	W 87.8	W 87.8	W 87.8	W 87.8
H 87.8	H 158.9	H 158.9	H 230.3	H 301.5
D 3.4	D 3.4	D 3.4	D 3.4	D 3.4

Corner radii: 2.5 mm [stainless steel], 0.5 mm [thermoplastic]

* only available in thermoplastic

Gira E2

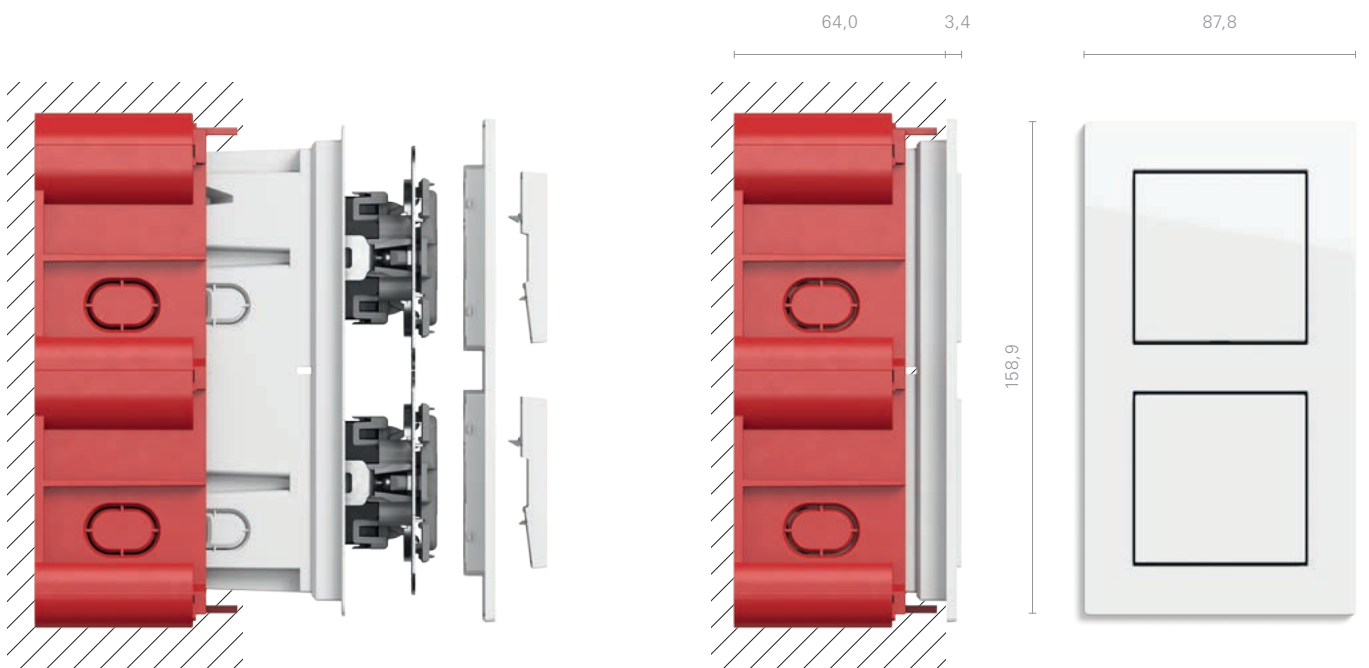
Installation/Dimensions in mm



Installation in standard flush-mounted or cavity boxes

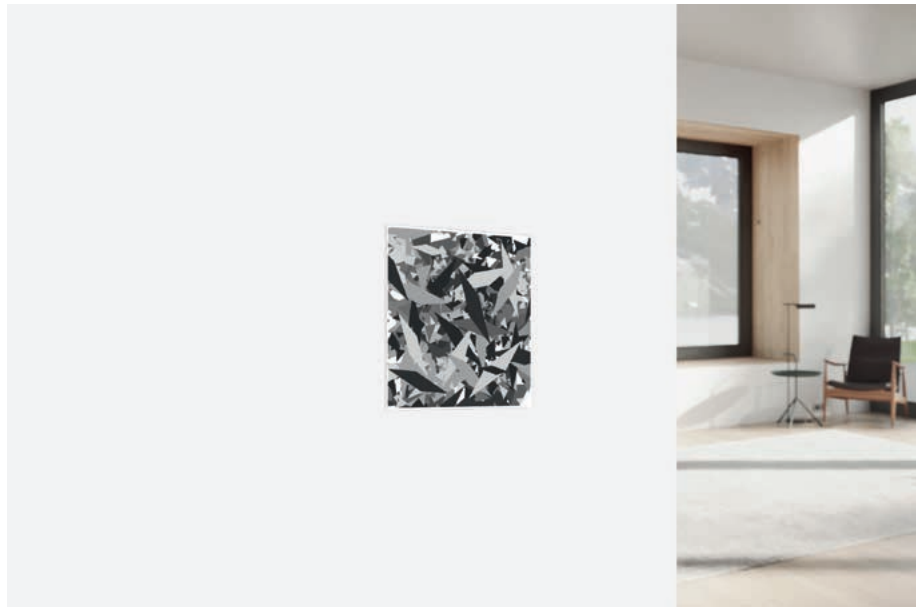
Gira E2 flat installation

Installation/Dimensions in mm



Installation in cavity walls or masonry with Gira device boxes or Gira flush-mounted installation boxes

Experience Gira E2 in your own surroundings

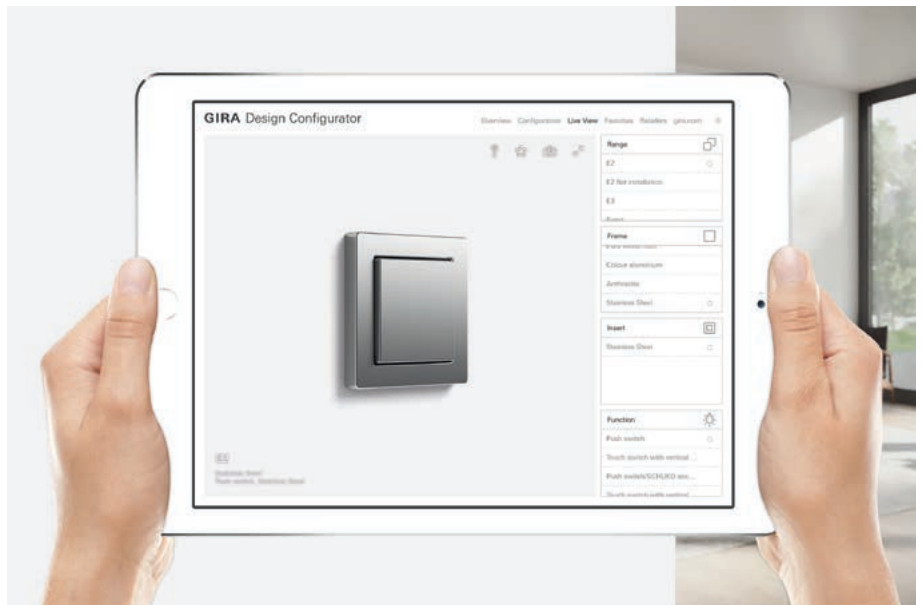


The Gira Design Configurator app includes a printable tracking image which can be positioned on the wall.

The Gira Design Configurator quickly and easily provides a realistic idea of what the Gira E2 switch range would look like in a real environment and how it would match your individual interior design style. The Gira Design Configurator's fascinating 'live view' mode uses a smartphone or tablet camera.

The many Gira E2 design options – and, of course, those of the other Gira design lines – can be combined with selected functions from the Gira range in the Gira Design Configurator.

The Gira Design Configurator can be accessed online or is available as a free app for iOS and Android mobile devices.



Using the camera on the mobile end device, the app scans the tracking image and displays the Gira design lines at the desired location in the room.



The "live view" mode allows the product to be viewed from different perspectives.



For iOS



For Android

Support for electricians

General information

Up-to-date with professional training

Gira actively supports electricians by offering qualified training on Gira products and systems. Comprehensive product and marketing expertise is essential in order to further establish innovative switch programmes, and specifically systems for the smart home and intelligent building technology. This enhances the prospects of sales success and ensures trouble-free installation of all components. Gira offers both classroom seminars and online distance learning courses which make participation possible from any PC with internet access.

Classroom-based and online training on switch programmes, the smart home, and KNX

Classroom seminars on Gira products and systems are held at Gira's company premises in Radevormwald or at external locations, and enable participants to interact directly with the trainer and other participants while deepening their knowledge and gaining recognised qualifications on topics such as KNX. By contrast, online training courses are held exclusively on the internet.

Online distance learning courses

The Gira products and systems presented as multimedia learning content – that is the objective of online distance learning courses. Courses are available on a wide variety of topics: from 'Smart home with eNet' to 'Network configuration with the Gira HomeServer'. Exercises allow the knowledge gained to be tested in a practical way.

An overview of the courses on offer can be found at: www.academy.gira.com

Less stock holding with the Gira System 55

The modular design of the Gira System 55 switch ranges offers significant advantages in terms of logistics and servicing too. To install new functions or rectify a defect, you merely have to exchange the insert in question. The customer can carry on using the existing design frame. This means that electricians need to keep significantly fewer parts in stock. This is unique in the market in this degree of variety.

More about Gira

Intelligent building technology from Gira offers more convenience, greater security, extensive functions, and a high degree of flexibility and mobility. Gira develops and manufactures systems and products which set standards both in technology and design.

More information on Gira and Gira products can be found at:

www.gira.com

The entire Gira product range and individual prices can be found in the Gira online catalogue at:

www.catalogue.gira.com

The Gira Design Configurator can be accessed online and includes prices for selected complete devices and functions:

www.designconfigurator.gira.com

Follow the Gira community on Facebook, Twitter, YouTube, Google+, and Instagram. More information is available at:

www.gira.com/socialmedia



Published by:
Gira, Giersiepen GmbH & Co. KG

Concept, design, editing:
schmitz Visuelle Kommunikation
www.hgshmitz.de

Picture credits:
schmitz Visuelle Kommunikation

Lithography:
vimago GmbH, Krefeld

Print:
Ley + Wiegandt, Wuppertal

Subject to technical
modifications

Any colour variations between the images in this product information and specific products are due to printing processes and cannot be avoided.

Gira and sustainability:
Gira has set itself the task of acting responsibly and supporting the sustainable development of society. Therefore, for the production of this brochure, we have aspired to reduce the consumption of resources and emission of harmful gases while preventing environmental pollution as much as possible. We strive to reach these goals by using eco-friendly materials. The paper used has been FSC® certified and is made of at least 60% recycled paper.

Please visit the Gira sustainability portal for more information on our current activities and projects:
www.sustainability.gira.com



GIRA

Gira
Giersiepen GmbH & Co. KG
Electrical installation systems

Industriegebiet Mermbach
Dahlienstraße
42477 Radevormwald

P.O. Box 12 20
42461 Radevormwald

Germany

Tel +49 2195 602 - 0
Fax +49 2195 602 - 119

www.gira.com
info@gira.com

Representatives around the
world www.gira.com/country

Gira United Kingdom:

www.gira.com/uk/contact

Gira UK Technical Hotline
00800 602 123

Gira UK Showroom
Gira Experience centre
23-25 Baker Street
London
W1U 8EQ

www.gira.com/uk