

GIRA

Gira
Giersiepen GmbH & Co. KG
Elektro-Installations-Systeme

Industriegebiet Mermbach
Dahlienstraße
42477 Radevormwald

Postfach 1220
42461 Radevormwald

Tel +49 (0) 21 95 - 602 - 0
Fax +49 (0) 21 95 - 602 - 191

www.gira.de
info@gira.de

The info module enables information (e.g. house number) to be displayed and can be customised via the Gira inscription service (www.beschriftung.gira.de).

The blind module leaves space for future applications (e.g. retrofitting with camera module) and serves as a design element for realising large door stations in the system style.

10 86 45 32 40/16

Installing the module

The following work steps can be found in the installation instructions for the System 106 surface-mounted housing, 1-gang to 5-gang:

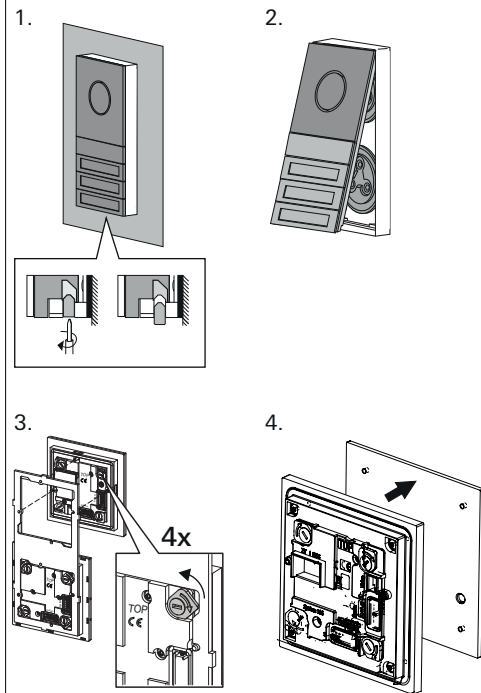
- Lock module on function carrier.
- Connect system cable.
- Connect terminating resistances.

Terminating resistance

Two terminating resistances are included from surface-mounted housing, 2-gang.

The terminating resistances are always attached to the first and last module on the system cable.

Replace module



Assembly in reverse order.