

Push button sensor 3 basic 1-gang

Order No. : 5111 00

Push button sensor 3 basic 2-gang (1+1)

Order No. : 5112 00

Push button sensor 3 basic 3-gang

Order No. : 5113 00

Push button sensor 3 comfort 1-gang

Order No. : 5131 00

Push button sensor 3 comfort 2-gang (1+1)

Order No. : 5132 00

Push button sensor 3 comfort 3-gang

Order No. : 5133 00

Push button sensor 3 comfort 4-gang (1+3)

Order No. : 5134 00

Push button sensor 3 comfort 6-gang (3+3)

Order No. : 5136 00

Operating instructions**1 Safety instructions**

Electrical equipment may only be installed and fitted by electrically skilled persons.

Failure to observe the instructions may cause damage to the device and result in fire and other hazards.

These instructions are an integral part of the product, and must remain with the end customer.

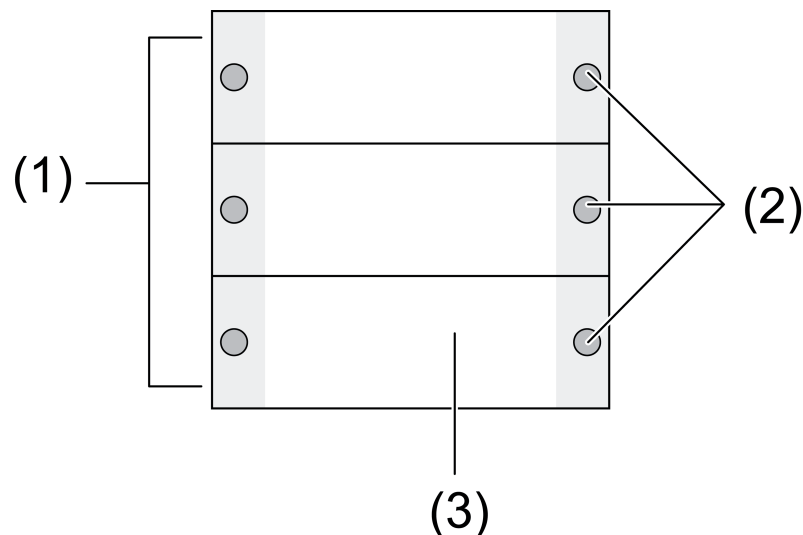
2 Device components

Figure 1

- (1) Operating rocker
- (2) Status LED
- (3) Illuminable text field

3 Function**System information**

This device is a product of the KNX system and complies with the KNX directives. Detailed technical knowledge obtained in KNX training courses is a prerequisite to proper understanding.

The function of this device depends upon the software. Detailed information on loadable software and attainable functionality as well as the software itself can be obtained from the manufacturer's product database. Planning, installation and commissioning of the device are carried out with the aid of KNX-certified software. The latest versions of product database and the technical descriptions are available on our website.

Intended use

- Operation of loads, e.g. light on/off, dimming, blinds up/down, brightness values, temperatures, calling up and saving light scenes, etc.
- Installation in appliance box according to DIN 49073

Product characteristics

- The pushbutton functions switching, dimming, controlling blinds, valuator, calling up moods, etc.
- Two status LEDs per operating rocker, which can be switched together or separately according to the equipment and programming
- Illuminable inscription panel
- Push button sensor comfort: Three colour status LED (red, green, blue). Five brightness levels for status LEDs and illuminable inscription panel

4 Operation

Operating a function or load

Push button sensor basic: Each operating rocker is divided into two halves, with a function assigned to each of them. Operation depends on the specific function.

Comfort push button sensor: Depending on the programming, a control rocker can have up to three functions assigned to it – left, right, entire surface. Operation depends on the specific function.

- Switch: Short press on button.
- Dim: Long press on the button. The dimming process ends when the button is released.
- Move Venetian blind: Long press on button.
- Stop or adjust Venetian blind: Short press on button.
- Call up light scene: Short press on button.
- Save light scene: Long press on button.
- Set value, e.g. brightness or temperature setpoint: Short press on button.

5 Information for electrically skilled persons

5.1 Fitting and electrical connection



DANGER!

Electrical shock on contact with live parts in the installation environment.

Electrical shocks can be fatal.

Before working on the device, disconnect the power supply and cover up live parts in the working environment.

Mounting and connecting the device

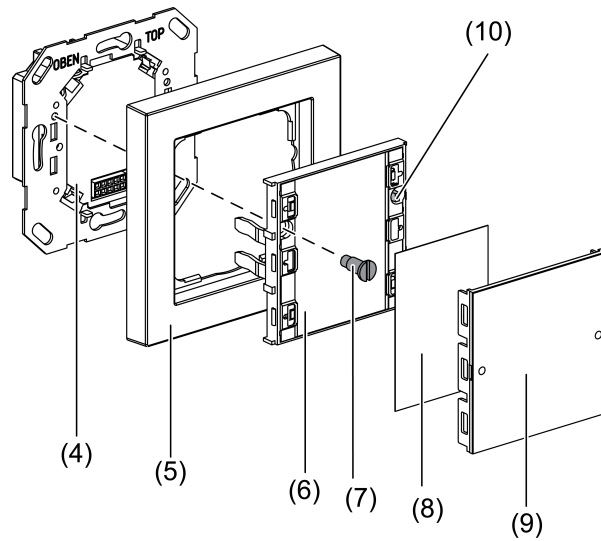


Figure 2

- (4) Bus coupler 3
- (5) Frame
- (6) Push button sensor
- (7) Retaining screw
- (8) Inscription panel
- (9) Rocker cover
- (10) Programming button and LEDs

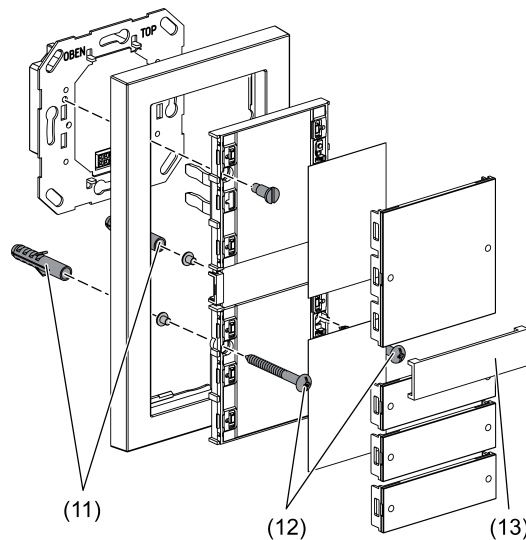


Figure 3

- (11) Anchor
- (12) Fastening screws
- (13) Central bar for double frame without central bar

The bus coupler 3 is connected to the bus and mounted in an appliance box.

- i** Use only bus coupler 3 – without a programming button. It is not possible to combine it with other bus couplers.

Mount the double-height push button sensors on two appliance boxes with a second support ring. For mounting on an appliance box, use the enclosed screw/anchor set.

- Carefully remove the rocker covers (9) and inscription signs (8) from the push button sensor (6).
- Attach the frame (5) to the bus coupler (4).
- Carefully attach the push button sensor (6) to the bus coupler (4).
- Screw the push button sensor to the support ring of the bus coupler module. Use the locking screw (7) provided.
- Screw the double-height push button sensors to the lower support ring of the anchors (11). Use the screws (12) provided.
- If possible load the physical address into the device before final mounting (see chapter 5.2. Commissioning).
- If necessary, label the inscription signs (8).
- Mount the inscription signs (8) and the rocker covers (9).

5.2 Commissioning

Loading the physical address and application software

The programming button and -LED (10) are located under the topmost rocker cover.

The topmost rocker cover is dismantled.

- i** If the device does not receive any application software, or the wrong application software, then the backlighting flashes.
- Press the Programming button (10).
The programming LED lights up.
 - Assign physical address.
The programming LED goes out.
 - Load the application software into the device.
 - Mount the inscription panel (8) and the rocker cover (9).

6 Appendix

6.1 Technical data

KNX medium	TP
Commissioning mode	S-mode
Rated voltage	DC 21 ... 32 V SELV (Via bus coupler 3)
Power consumption	typical 150 mW (Via bus coupler 3)
Connection mode	10 pole male connector strip
Protection class	III
Ambient temperature	-5 ... +45 °C
Storage/transport temperature	-20 ... +70 °C

6.2 Accessories

Second support ring	Order No. 1127 00
Inscription sheet	Order No. 1089 00
Inscription sheet	Order No. 1090 00
Bus coupler 3	Order No. 2008 00
Rocker set 1-gang	Order No. 2131 ..
Rocker set 2-gang	Order No. 2132 ..
Rocker set 3-gang	Order No. 2133 ..
Rocker set 4-gang	Order No. 2134 ..
Rocker set 6-gang	Order No. 2136 ..

6.3 Warranty

The warranty is provided in accordance with statutory requirements via the specialist trade.

Please submit or send faulty devices postage paid together with an error description to your responsible salesperson (specialist trade/installation company/electrical specialist trade). They will forward the devices to the Gira Service Center.

Gira
Giersiepen GmbH & Co. KG

Elektro-Installations-
Systeme

Industriegebiet Mermbach
Dahlienstraße
42477 Radevormwald

Postfach 12 20
42461 Radevormwald

Deutschland

Tel +49(0)21 95 - 602-0
Fax +49(0)21 95 - 602-191

www.gira.de
info@gira.de