

Issue:  
23.09.2022  
50113100

Pushbutton sensor 4 Standard System 55  
Order no. 5011 00, 5012 00, 5013 00

## Table of Contents

<b>1</b>	<b>Information on the product</b> .....	<b>4</b>
1.1	Product catalogue .....	4
1.2	Function .....	4
1.3	Device components .....	6
1.4	As-delivered state .....	8
1.5	Technical data.....	8
1.6	Accessories.....	9
<b>2</b>	<b>Safety instructions</b> .....	<b>10</b>
<b>3</b>	<b>Mounting and electrical connection</b> .....	<b>11</b>
<b>4</b>	<b>Commissioning</b> .....	<b>14</b>
4.1	Safe-state mode.....	15
4.2	Master reset .....	16
<b>5</b>	<b>Mounting the rockers</b> .....	<b>17</b>
<b>6</b>	<b>Dismantling</b> .....	<b>18</b>
<b>7</b>	<b>Exchanging labelling field</b> .....	<b>19</b>
<b>8</b>	<b>Operation</b> .....	<b>20</b>
<b>9</b>	<b>Application programs</b> .....	<b>24</b>
<b>10</b>	<b>Scope of functions</b> .....	<b>25</b>
<b>11</b>	<b>General settings</b> .....	<b>28</b>
11.1	Installation position .....	28
11.2	Basic settings.....	29
<b>12</b>	<b>Channel-oriented device functions</b> .....	<b>32</b>
12.1	Switching.....	33
12.2	Dimming and colour temperature.....	34
12.2.1	Brightness.....	35
12.2.2	Colour temperature.....	35
12.2.3	Brightness and colour temperature .....	36
12.3	Colour control and brightness .....	42
12.3.1	colour sequence .....	44
12.3.2	Brightness adjustment .....	46
12.4	Shading.....	58
12.5	Value transmitter.....	63
12.5.1	1-byte value transmitter .....	64
12.5.2	2-byte value transmitter .....	64

12.5.3	3-byte value transmitter .....	65
12.5.4	6-byte value transmitter .....	65
12.6	Scene extension .....	76
12.7	2-channel operation .....	78
12.8	Controller extension .....	93
12.8.1	Operating mode switchover .....	93
12.8.2	Presence function .....	94
12.8.3	Setpoint shift .....	95
12.9	Status LED .....	102
12.9.1	Basic functions .....	103
12.9.2	Colour settings .....	106
12.9.3	Brightness settings .....	108
<b>13</b>	<b>Channel-independent device functions .....</b>	<b>116</b>
13.1	LED orientation lighting .....	117
13.2	LED night reduction .....	120
13.3	disabling function .....	123
13.4	Temperature measurement .....	144
13.5	Transmission delay .....	150

## 1 Information on the product

### 1.1 Product catalogue

Product name	Pushbutton sensor 4 Standard, 1-gang System 55 Pushbutton sensor 4 Standard, 2-gang System 55 Pushbutton sensor 4 Standard, 3-gang System 55
Order no.	5011 00, 5012 00, 5013 00
Use	Sensor
Design	FM (flush-mounted)

### 1.2 Function

#### General

The device is compatible with KNX Data Secure products. KNX Data Secure offers protection against manipulation in building automation and can be configured in the ETS project. Detailed specialist knowledge is required. A device certificate, which is attached to the device, is required for safe commissioning. During mounting, it is recommended to remove the certificate from the device and to store it securely.

The device can be updated. Firmware can be easily updated with the Gira ETS Service App (additional software).

#### Push-button sensor functions

When its buttons are actuated, the device sends telegrams to the KNX, depending on the ETS parameter settings. These can be telegrams for switching, for dimming the brightness and colour temperature or for controlling the shading. Value transmitters and scene extension functions can also be programmed. The value transmitter functions include, for example, temperature and brightness value transmitters or even the colour value transmitter RGBW.

The device can be used as a controller extension, i.e. as an operation and display element of a room temperature controller.

All buttons or single buttons of the device can be disabled using the disabling function. During active disabling, the assigned buttons perform parameterised behaviour.

#### LED function

The device has two multi-colour status LEDs per operating area. These status LEDs can optionally be permanently on or off, or otherwise act as an actuation or status indicator for a button or a rocker. As an alternative, the status LEDs can also be activated via separate communication objects. The status LEDs can either indicate the switching status of an object statically or by flashing, or signal operating states of room temperature controllers. The status LEDs can light up in 3 different colours. The colour of the status LEDs can be configured in the ETS either globally or separately,

as required. Optionally a superposed function can be activated via the bus, in which the colour and display information of individual status LEDs can be changed according to priority.

The colour of the status LED can either be parameterised for all status LEDs together or separately for each status LED.

All status LEDs can additionally be used as orientation lighting.

The brightness of all status LEDs is adjustable in six stages using a common parameter. A separate communication object allows the brightness to be reduced, e.g. during night hours.

- i** When the application program is discharged and the bus voltage is connected, all status LEDs initially light up green. Whenever a button is actuated, the respective illuminated status LED changes colour (green → red → blue → green → ...).

### **Measurement of the room temperature**

As a supplement to the controller extension the device has an integrated temperature sensor that makes it possible to measure and forward the local room temperature. A temperature value received via an object can optionally supplement the room temperature measurement performed by the internal temperature sensor in order to improve the measurement result.

### 1.3 Device components

#### Front view

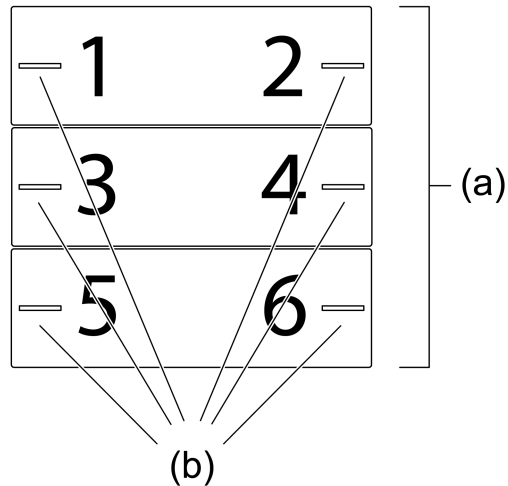


Image 1: Device components 3-gang ("standard installation position", horizontal rockers)

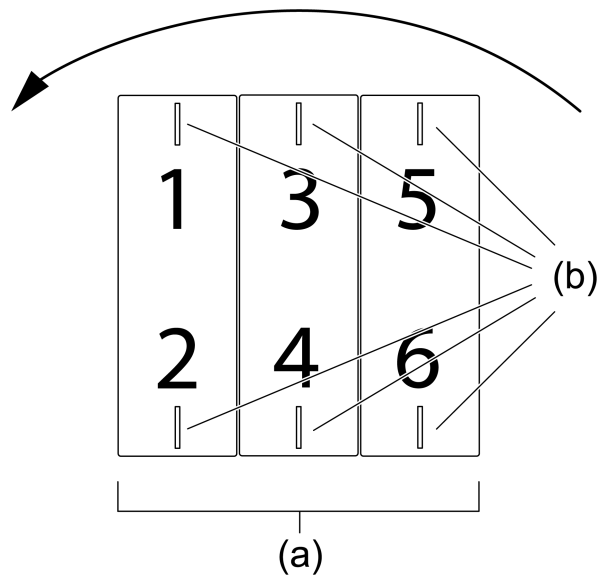


Image 2: Device components 3-gang (installation position "turned by -90°", vertical rockers)

- (a) Operating rockers (accessory)
- (b) Status LED
- 1...6 Push-buttons assignment and status LED

**Rear view**

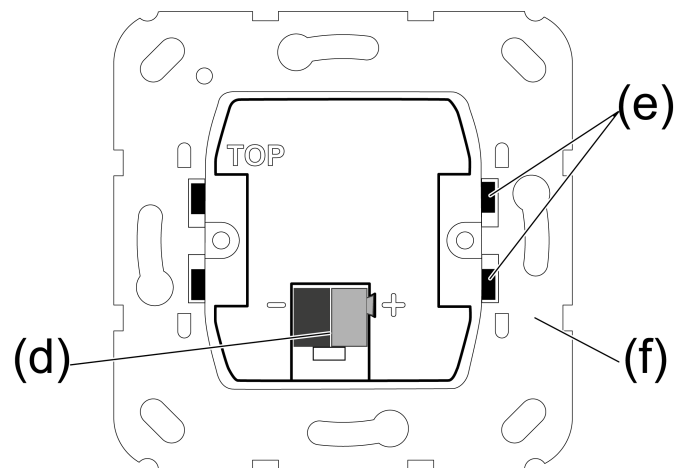


Image 3: Device components - rear side

- (d) Device connection terminal KNX
- (e) Retaining clips for device fixation at the supporting frame
- (f) Supporting frame

## 1.4 As-delivered state

In the delivery state, the orientation lighting LED is activated. When the bus voltage is connected, all status LEDs initially light up green. Whenever a button is actuated, the respective illuminated status LED changes colour in the following sequence:

green → red → blue → green → ...

In the delivery state, the push-button sensor does not send any telegrams to the bus.

## 1.5 Technical data

### KNX

KNX medium	TP256
Commissioning mode	S-mode
Rated voltage	DC 21 ... 32 V SELV
Current consumption KNX	8 ... 18 mA
Connection mode KNX	Standard device connection terminal
Connecting cable KNX	EIB-Y (St)Y 2x2x0.8
Protection class	III

### Installation dimensions (see figure 4)

Construction height	A = 11.9 mm A = 12.5 mm (stainless steel rocker set)
Installation depth	B = 13.8 mm

### Ambient conditions

Ambient temperature	-5 ... +45 °C
Storage/transport temperature	-20 ... +70 °C

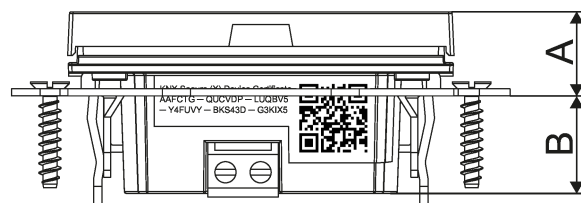


Image 4: Installation dimensions



## 1.6 Accessories

**i** Individually labelled rocker sets are available from the Gira inscription service [www.beschriftung.gira.de](http://www.beschriftung.gira.de).

Rocker set, 1-gang for pushbutton sensor 4	Order no. 5751 ..
Rocker set, 1-gang, inscribable, for pushbutton sensor 4	Order no. 5761 ..
Rocker set, 1-gang, inscribable, for pushbutton sensor 4	Order no. 5771 ..
Rocker set, 2-gang for pushbutton sensor 4	Order no. 5752 ..
Rocker set, 2-gang, inscribable, for pushbutton sensor 4	Order no. 5762 ..
Rocker set, 2-gang, inscribable, for pushbutton sensor 4	Order no. 5772 ..
Rocker set, 4-gang for pushbutton sensor 4	Order no. 5753 ..
Rocker set, 4-gang, inscribable, for pushbutton sensor 4	Order no. 5763 ..
Rocker set, 4-gang, inscribable, for pushbutton sensor 4	Order no. 5773 ..

## 2 Safety instructions



Electrical devices may only be mounted and connected by electrically skilled persons.

Serious injuries, fire or property damage possible. Please read and follow manual fully.

Danger of electric shock. During installation and cable routing, comply with the regulations and standards which apply for SELV circuits.

### 3 Mounting and electrical connection



#### **DANGER!**

Mortal danger of electric shock.

Cover up live parts in the installation environment.

The push-button sensor (see figure 5) can be installed horizontally ("standard installation position") or vertically ("turned by -90°" installation position).

- i** For horizontal installation ("standard installation position") the top of the push-button sensor is labelled with **TOP**.
- i** For vertical installation ("turned by -90°" installation position) the left side of the push-button sensor is labelled with **TOP**.

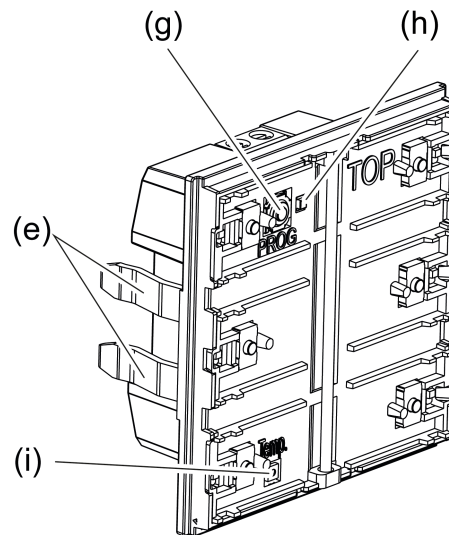


Image 5: Push-button sensor

- (e) Retaining clips for device fixation at the supporting frame
- (g) Programming button
- (h) Programming LED
- (i) Temperature sensor

**Mounting and connecting the device**

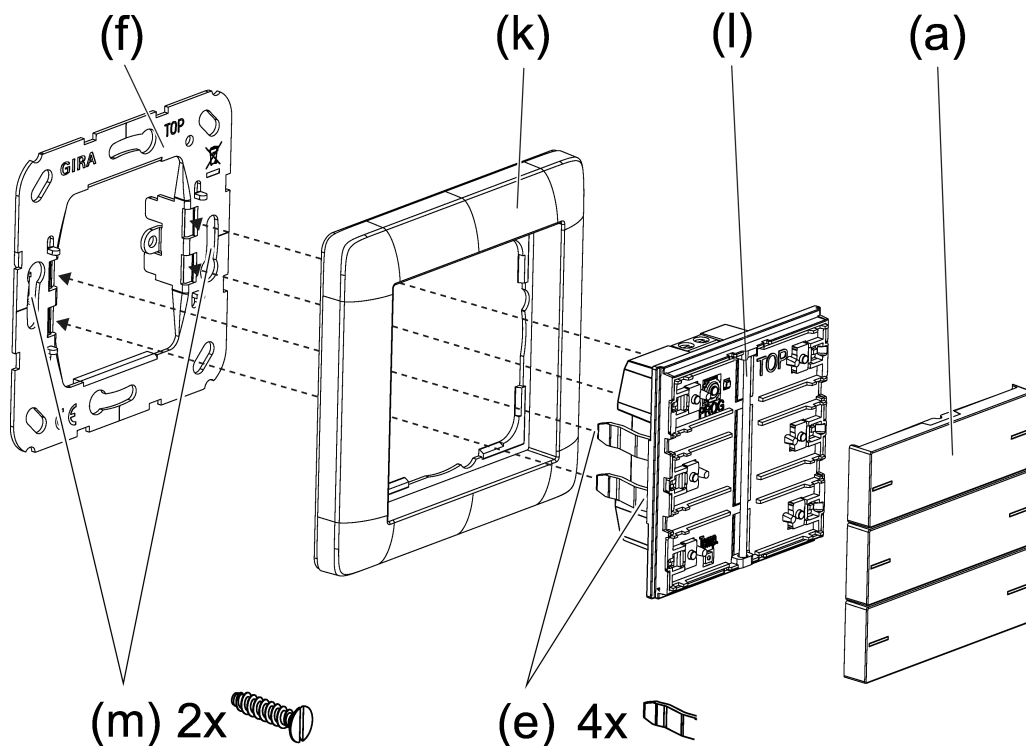


Image 6: Mounting the device

- (a) Operating rockers (accessory)
- (e) Retaining clips for device fixation at the supporting frame
- (f) Supporting frame
- (k) Cover frame (accessory)
- (l) Push-button sensor
- (m) Box screws

**i** The device should be used in an air-tight appliance box. Otherwise temperature and humidity reading can be negatively influenced by draughts.

In secure operation (preconditions):

- Secure commissioning is activated in the ETS.
- Device certificate entered/scanned or added to the ETS project. A high resolution camera should be used to scan the QR code.
- Document all passwords and keep them safe.

Precondition: The installation position of the push-button sensor is defined.

- Mount supporting frame in the right orientation, "standard installation position" or "turned by -90°", on an appliance box.

**i** Note the **TOP** marking.

**i** Use the supplied box screws.

- Pull off commissioning rockers from push-button sensor.

- i** The push-button sensor is delivered with start-up rockers. The operating rockers suitable for the push-button sensor must be ordered separately (see accessories).
  - Connect push-button sensor to the KNX using KNX device connection terminal (red = +, black = -).
  - In secure operation: The device certificate must be removed from the device and stored securely.
  - Fit the cover frame flushly. The cover frame is fixed via the push-button sensor.
  - Attach the push-button sensor with cover frame onto the supporting frame. Push-button sensor can be put into operation.
- i** Make sure the that the retaining clips properly fit in the supporting frame.
- i** The physical address is programmed (see chapter "Commissioning" ▶ Page 14) in the next work step. The rockers can then be mounted (see chapter "Mounting the rockers" ▶ Page 17).

## 4 Commissioning

### Programming the physical address and application program

**i** Project design and commissioning with ETS from version 5.7.5 and above.

The programming button is located under the first rocker.

Precondition: The device is connected and ready for operation.

The first rocker is dismantled.

- Activating Programming mode: push the programming button.  
The programming LED lights up red. Programming mode is activated.
- Programming the physical address.  
The programming LED goes out. Physical address is programmed.
- Programming the application program.  
The device is for use.

**i** All status LEDs are switched off while the application program is programmed. As soon as the programming is successfully completed, the status LEDs carry out their parameterised function.

**i** When the application program is discharged and the bus voltage is connected, all status LEDs initially light up green. Whenever a button is actuated, the respective illuminated status LED changes colour (green → red → blue → green → ...).

## 4.1 Safe-state mode

The safe-state mode stops the execution of the loaded application program.

If the device does not work properly - for instance as a result of errors in the project design or during commissioning - the execution of the loaded application program can be halted by activating the safe-state mode. The device remains passive in safe-state mode, since the application program is not being executed (state of execution: terminated).

- i** Only the system software of the device is still functional. ETS diagnosis functions and programming of the device are possible.

### Activating safe-state mode

- Switch off the voltage.
- Press and hold down the programming button.
- Switch on voltage.

The safe-state mode is activated. The programming LED flashes slowly (approx. 1 Hz).

- i** Release the programming button only after the programming LED starts flashing.

### Deactivating safe-state mode

- Switch off the voltage or carry out ETS programming.

## 4.2 Master reset

The master reset restores the basic device settings (physical address 15.15.255, firmware remains in place). The device must then be recommissioned with the ETS.

- i** In secure operation: A master reset deactivates device security. The device can then be recommissioned with the device certificate.
- i** Devices can be reset to factory settings with the ETS Service App. This function uses the firmware contained in the device that was active at the time of delivery (as-delivered state). Restoring the factory settings causes the devices to lose their physical address and configuration.

If the device - for instance as a result of errors in the project design or during commissioning - does not work properly, the loaded application program can be deleted from the device by performing a master reset. The master reset resets the device to delivery state. Afterwards, the device can be put into operation again by programming the physical address and application program.

### Performing a master reset

Precondition: The safe-state mode is activated.

- Press and hold down the programming button for > 5 seconds until the programming LED starts flashing quickly.
- Release the programming button.

The device performs a master reset. The programming LED is switched on.

The device restarts and is in delivery state.



## 5 Mounting the rockers

- Slide the side of the rocker into place (see figure 7).

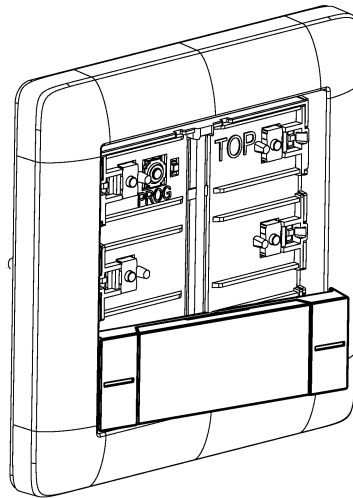


Image 7: Slide one side of the rocker into place

- Press in the middle of the rocker (see figure 8).

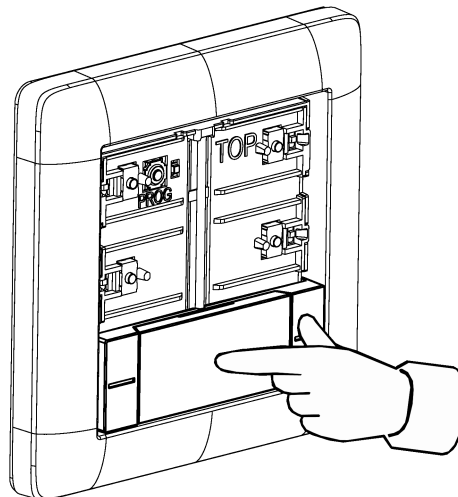


Image 8: Press lightly in the middle of the rocker

The rocker snaps into place.

Device is ready for operation.

- i** In order to optimise the gap dimensions between the rockers and the cover frame, the rockers can be moved slightly after snapping into place.

## 6 Dismantling

- Carefully pull the push-button sensor forward together with the cover frame.
- Pull the rockers on one side to loosen them from the push-button sensor.

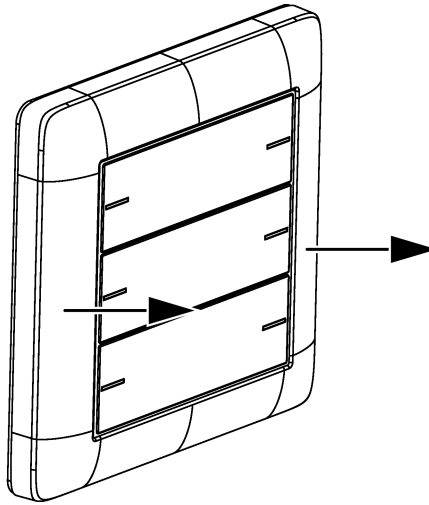


Image 9: Dismantle the push-button sensor

## 7 Exchanging labelling field

The rocker has a labelling field

- Search for a notch in the cover of the labelling field by feeling with a finger (see figure 10).
- Pull on one side at the notch in the cover of the labelling field to separate from the rocker (see figure 11).

The labelling field is uncovered.

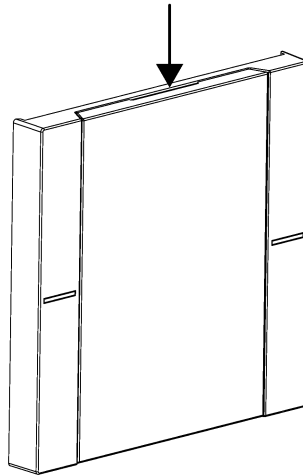


Image 10: Feel for a notch in the labelling field cover

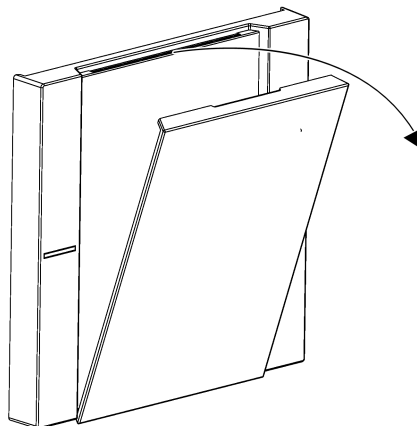


Image 11: Remove the labelling field cover

- Exchange the labelling field.
- Press the cover of the labelling field onto the rocker so that it snaps into place.

The labelling field is exchanged.

## 8 Operation

### Operating areas

The device consists of up to 3 operating areas, depending on the device variant. The operating concept of an operating area can be configured in the ETS as a rocker function or as a button function. With the rocker function, an operating area is divided into two actuation pressure points (left/right or top/bottom) with the same basic function. With the button function, an operating area is divided into 2 functionally-separate actuation pressure points located next to each other or one above the other (2 buttons).

The installation position of the device can be configured. With the rocker function, two buttons located either next to each other or one above the other are combined into one rocker. With the button function, each button is evaluated individually.

When its buttons are actuated, the device sends telegrams to the KNX, depending on the ETS parameter settings (switching, dimming, shading, ...).

### Operating area as rocker function

In the "rocker function" operating concept, two adjacent actuation pressure points are used as a rocker. The two pressure points are then termed "left rocker" and "right rocker" or "top rocker" and "bottom rocker", depending on the installation position. Pressing the buttons affect the communication objects assigned to the rocker. Usually, pressing both sides of a rocker can lead to directly opposite reactions (e.g. switching: left/top ON - right/bottom OFF / shading: left/top UP - right/bottom DOWN).



Image 12: Rocker operation, left (installation position = standard installation position)



Image 13: Rocker operation, right (installation position = standard installation position)

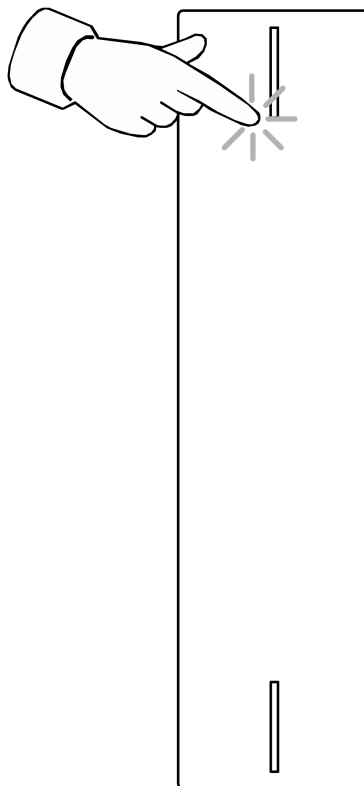


Image 14: Rocker operation, top (installation position = turned by  $-90^\circ$ )

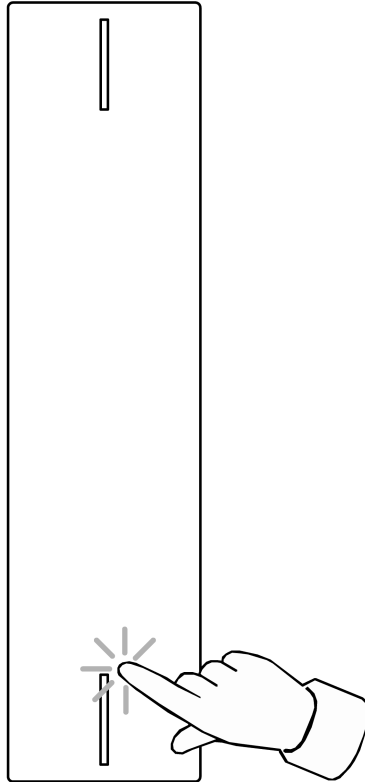


Image 15: Rocker operation, bottom (installation position = turned by -90°)

**Operating area as button function**

With the "button function" operating concept, an operating area is divided into two separate and functionally independent buttons. The buttons are configured independently of each other and can fulfil different functions (e.g. switching: TOGGLE – value transmitter: 2-byte temperature value).

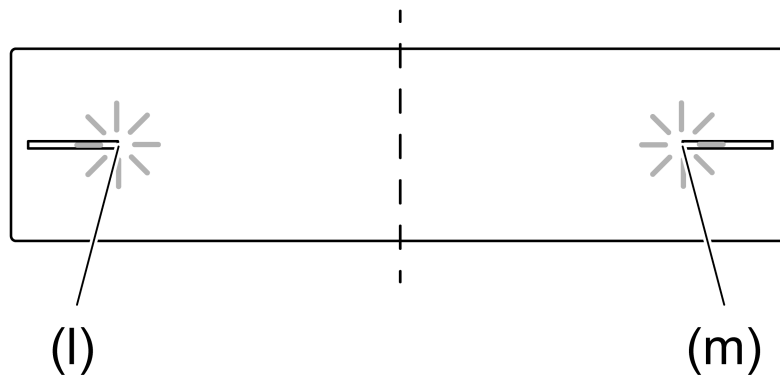


Image 16: Button actuation (installation position = standard installation position)

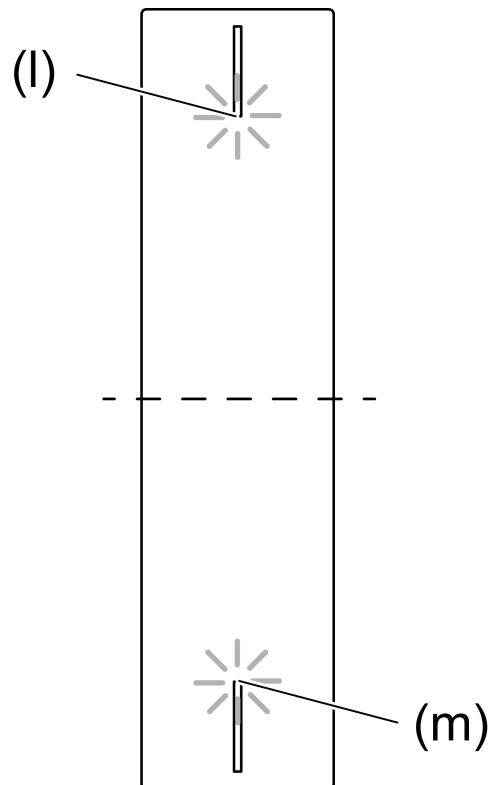


Image 17: Button actuation (installation position = turned by  $-90^\circ$ )

- (l) Left or top button of the operating area  
(depending on the device variant: button 1, button 3, button 5)
- (m) Right or bottom button of the operating area  
(depending on the device variant: button 2, button 4, button 6)

## 9 Application programs

ETS search paths: Push-button / push-button, 1-gang / Pushbutton sensor 4 Standard, 1-gang System 55  
 Push-button / push-button, 2-gang / Pushbutton sensor 4 Standard, 2-gang System 55  
 Push-button / push-button, 3-gang / Pushbutton sensor 4 Standard, 3-gang System 55

Configuration: S-mode standard

### **Application program available for Pushbutton sensor 4 Standard, 1-gang System 55**

Name Pushbutton sensor 4 Standard, 1-gang System 55 118621  
 Version 2.1 for ETS version 5.7.5 onwards  
 from mask version 07B0  
 Summarized description Multifunctional push-button sensor application.

### **Application program available for Pushbutton sensor 4 Standard, 2-gang System 55**

Name Pushbutton sensor 4 Standard, 2-gang System 55 118721  
 Version 2.1 for ETS version 5.7.5 onwards  
 from mask version 07B0  
 Summarized description Multifunctional push-button sensor application.

### **Application program available for Pushbutton sensor 4 Standard, 3-gang System 55**

Name Pushbutton sensor 4 Standard, 3-gang System 55 118821  
 Version 2.1 for ETS version 5.7.5 onwards  
 from mask version 07B0  
 Summarized description Multifunctional push-button sensor application.



## 10 Scope of functions

### General

- KNX Data Secure compatible
- Firmware updates are possible

### Push-button sensor functions

- Operating concept can be configured (rocker function or button function)
- The button function can be configured (switching, dimming the brightness and colour temperature, colour control, shading, value transmitter, scene extension, 2-channel operation, controller extension, no function)
- The rocker function can be configured (switching, dimming the brightness and colour temperature, colour control, shading, value transmitter, scene extension, 2-channel operation, controller extension)

Switching: The command on pressing and/or releasing is adjustable (no reaction, switch on, switch off, toggle).

Dimming the brightness and colour temperature: The command on pressing, the time between switching and dimming, the dimming in different levels, the telegram repetition on long press and the transmission of a stop telegram at the end of the press is adjustable.

Colour control: The type of colour control, the colour space and the colour values are adjustable. The command on pressing, the time between switching and the colour sequence / brightness adjustment, the starting value and the step width of the setting, as well as the telegram repetition on long press are adjustable.

Shading: The command on pressing and the operating concept are adjustable. The operating concept can be adjusted in the times for short and long actuation and slat adjustment.

Value transmitter: The operating mode (1-byte, 2-byte, 3-byte or 6-byte value transmitter) and the value is adjustable.

Scene extension: The operating mode (with or without storage function) and the scene number is adjustable.

2-channel operation: Up to two telegrams can be transmitted to the KNX by one button-press. The operating concept can be adjusted and the time for short and long actuation adapted. The function of the channels is adjustable separately.

Controller extension: The function (operating mode selection, forced operating mode switch-over, presence function and setpoint shift) is adjustable.

- Disabling function can be activated

The rockers or buttons can be disabled via a 1-bit object. The polarity of the disabling object can be set. During an active disable, all or some of the rockers / buttons can have no function, can perform the function of a selected button or execute one of two presettable disabling functions.

### Controller extension functions

- The controller extension can be configured as a function of a rocker or button. Full control of a room temperature controller (operating modes, presence functions and setpoint shift).
- The displays of the controller extension can be configured as a function of the status LED  
Full-featured indication of the controller status via the status LED of the extension (heating / cooling reporting, setpoint shift, room temperature, setpoint temperature and current operating mode).
- Temperature measurement can be activated  
Measurement of the room temperature with an internal sensor or optionally by determining the measured value of the internally measured temperature with an external temperature.

### Status LED

- Function can be configured  
The function is selected per status LED  
When selecting the function, the following functions can be configured: Always OFF, Always ON, Button actuation display, Telegram acknowledgment, Status display, Status display, Activation via separate LED object, Operating mode display, Controller status indication, Presence status indication, Setpoint shift display
- Optionally a superposed function can be activated via the bus, in which the colour and display information of individual status LEDs can be changed according to priority.
- Colour can be configured  
The colour is selected either together for all status LEDs or separately for each status LED of the device.  
The status LED can light up in red, green or blue according to choice.
- Brightness can be configured  
The brightness of the status LED can be set to six levels.  
Through night reduction, the brightness of the status LED can be reduced at night using a communication object.
- LED orientation lighting:  
All LEDs can be switched permanently off or on for the purpose of orientation, display the status of a separate communication object (ON, OFF, flashing) or be switched on by pressing any desired button and switched off again automatically after a delay time has elapsed.
- LED night reduction:  
Alternatively, communication object control can be used to change the brightness of all status LEDs. This makes it possible, for example, to reduce the brightness during nighttime hours to a value configured in the ETS.

**General functions**

- Disabling function:  
The operating areas can be disabled via a 1-bit object. During an active disable, all or some of the rockers / buttons can have no function, can perform the function of a selected button or execute one of two presettable disabling functions.
- Temperature measurement  
Temperature measurement possible via internal sensor, as well as via internal and external sensor.

## 11 General settings

The "KNX Secure" parameter page provides information about KNX Data Secure. No parameterisation is performed on this parameter page.

The installation position of the push-button sensor is defined on the parameter page "General -> Installation position".

On the parameter page "General - Basic settings", general settings of the push-button sensor are configured and general functions enabled.

### 11.1 Installation position

The push-button sensor can be installed horizontally ("standard installation position") or vertically ("turned by -90°" installation position).

The installation position of the device can be configured. The structural design of the application program depends on this setting. For this reason, this is the first setting to be made. Only then should device, rocker and button functions be configured.

Either two buttons next to each other or two buttons located one above the other are combined into one rocker.

**i** In the case of horizontal installation, the TOP marking can be read at the top right.

**i** In the case of vertical installation, the TOP marking can be read at the top left.

The device sorts the button assignments automatically according to the installation position. The ETS indicates the arrangement of the buttons and rockers with graphics and icons.

#### 11.1.1 Table of parameters

"Installation position" parameter page

Installation position	Standard installation position (horizontal) Turned by -90° (vertical)
<p>The installation position of the push-button sensor is set here.</p> <p>Graphics and icons show the arrangement of the buttons and rockers in accordance with this setting.</p> <p><b>i</b> The installation position should be defined and set before configuring the device functions, because previous configurations are lost if the "Installation position" parameter is changed.</p>	

## 11.2 Basic settings

The operating concepts of all device buttons are configured in the basic settings. The ETS indicates the arrangement of the buttons and rockers with graphics and icons in accordance with the parameterized installation position and the set operating concept.

In addition, general settings of the status LED can be configured in the basic settings. These settings apply to all status LEDs of the device.

Furthermore, the following functions can be enabled:

- LED orientation lighting
- LED night reduction
- disabling function
- Temperature measurement

These functions are configured on separate parameter pages.

### Rockers and button function

The rocker and button functions are configured on the Rocker *n* and Button *m* parameter pages. The following functions are available for selection:

- Switching
- Dimming and colour temperature
- Colour control and brightness
- Shading
- Value transmitter
- Scene extension
- 2-channel operation
- Controller extension

### Table of parameters

The following parameter is available on the "General -> Basic settings" parameter page under the "Operating concept" header.

Operating concept of buttons <i>n</i> and <i>m</i>	Rocker function Button function
For each operating area, the user can specify independently whether it is to be used as a rocker with a common basic function or as two different buttons with completely independent functions. Depending on this setting, the ETS displays different communication objects and parameter pages.	

The following parameter is available on the "Rocker *n*" or "Button *m*" parameter page.

Function	<b>Switching</b> Dimming and colour temperature Colour control and brightness Shading Value transmitter Scene extension 2-channel operation Controller extension
----------	---

Each rocker or button can perform one of these functions. Corresponding to this selection, the ETS compiles the appropriate parameters and objects for the function.

The following parameters are available on the "General -> Basic settings" parameter page under the "Status LED" header.

Colour	red <b>green</b> blue Colour selection per status LED
--------	--

The colour of the status LED can be selected here. In the colour configuration a distinction is made between whether all of the status LEDs of the push-button sensor have the same colour or whether alternatively various colours can be configured for the LEDs ("Colour selection per status LED" setting). With colour selection per rocker or button it is possible to set the colour on the parameter pages of the individual status LEDs.

Brightness	Level 0 (OFF) Level 1 (dark) Level 2 Level 3 <b>Level 4</b> Level 5 (bright)
------------	---

The brightness level for all status LEDs is defined at this point.

Light duration of status LED for button-press display	1 s 2 s <b>3 s</b> 4 s 5 s
---	--

This parameter defines the switch-on time the status LED is lit up to indicate actuation. The setting concerns all status LEDs whose function is set to "Button-press display".

The following parameters are available on the "General -> Basic settings" parameter page under the "Enabled functions" header.

LED orientation lighting	Active <b>Inactive</b>
The LED orientation lighting of the device can be centrally enabled at this point. If "Active", the ETS shows further communication object and parameters.	
LED night reduction	Active <b>Inactive</b>
The LED night reduction of the status LED can be centrally enabled at this point. If "Active", the ETS shows further communication object and parameters.	
disabling function	Active <b>Inactive</b>
With this parameter, the disabling function of the device can be centrally activated. If "Active", the ETS shows further communication object and parameters.	
Temperature measurement	Active <b>Inactive</b>
The temperature measurement of the device can be centrally enabled at this point. If "Active", the ETS shows further communication object and parameters.	

## 12 Channel-oriented device functions

The following subchapters provide a description of the device functions. Each subchapter consists of the following sections:

- Functional description
- Table of parameters
- Object list

### Functional description

The functional description explains the function and provides helpful tips on project design and usage of the function. Cross references support you in your search for further information.

### Table of parameters

The table of parameters lists all parameters associated with the function. Each parameter is documented in a table as follows.

Name of the parameter	Parameter values
Parameter description	

### Object list

The object list specifies and describes all communication objects associated with the function. Each communication object is documented in a table.

Object no.	This column contains the object number of the communication object.
Function	This column contains the function of the communication object.
Name	This column contains the name of the communication object.
Type	This column contains the length of the communication object.
DPT	This column assigns a datapoint type to a communication object. Datapoint types are standardized in order to ensure interoperability of KNX devices.
Flag	This column assigns the communication flags in accordance with the KNX specification.
K flag	activates / deactivates the communication of the communication object
L flag	enables externally triggered reading of the value from the communication object
S flag	enables externally triggered writing of the value to the communication object
Ü flag	enables transfer of a value
A flag	enables updating of an object value in case of feedback
I flag	enforces updating of the communication object value when the devices is switched on (reading at init)



## 12.1 Switching

For each rocker or button with the function set to "switching", the ETS indicates two 1-bit communication objects. The parameters permit fixing the value the "switching" object is to assume on pressing and/or releasing (ON, OFF, TOGGLE – toggling of the object value). No distinction is made between a brief or long press.

### 12.1.1 Table of parameters

The following parameters are available for the individual buttons or rockers, depending on the set operating concept. The default settings change in accordance with the set operating concept.

Command on pressing	no reaction ON OFF TOGGLE
This parameter defines the reaction when the operating area is pressed.	
Command on releasing	no reaction ON OFF TOGGLE
This parameter defines the reaction when the operating area is released.	

### 12.1.2 Object list

The following communication objects are available for the individual buttons or rockers, depending on the set operating concept. The object name corresponds to the selection for the operating concept (button or rocker). The name of the object can be specified by the parameter "Name of ...".

Object no.	Function	Name	Type	DPT	Flag
33, 36, ..., 48	Switching	Button/rocker <i>n</i> - output	1-bit	1.001	C, -, W, T, -
1-bit object for transmission of switching telegrams (ON, OFF).					
Object no.	Function	Name	Type	DPT	Flag
34, 37, ..., 49	Switching feedback	Button/rocker <i>n</i> - input	1-bit	1.001	C, -, W, -, U
1-bit object for receiving feedback telegrams (ON, OFF).					

## 12.2 Dimming and colour temperature

For each rocker or button with the function set to "dimming and colour control", the ETS indicates two 1-bit objects and one 4-bit or 3-byte object. Generally, the device transmits a switching telegram after a brief actuation and a dimming telegram after a long actuation. In the standard parameterisation the device transmits a telegram for stopping the dimming action after a long actuation. The time needed by the device to detect an actuation as a long actuation can be set in the parameters. The brightness or the colour temperature can be dimmed.

### Feedback

If an actuator is controlled from multiple control elements, the actuator must report its switching status to the 1-bit object "Switching feedback" of the button or rocker. Due to the feedback, the device detects that the actuator has changed its switching status by input from another element and adjusts the dimming direction accordingly.

The dimming direction is always only evaluated and switched locally, unless the actuator changes its switching status due to input from multiple elements (e.g. lighting ON / change of brightness value only). The 4-bit dimming objects and the 3-byte combi object are not tracked via the bus.

### Advanced configuration options

The device has advanced parameters for the dimming function. If necessary, these advanced parameters can be activated and thus be made visible.

The advanced parameters can be used to determine whether the device is to cover the full adjusting range of the actuator with one dimming telegram continuously ("Increase brightness / colour temperature by 100%", "Reduce brightness / colour temperature by 100%") or whether the dimming range is to be divided into several small levels (50%, 25%, 12.5%, 6%, 3%, 1.5%).

In the continuous dimming mode (100%), the device transmits a telegram only at the beginning of the long press to start the dimming process and generally a stop telegram after the end of the press. For dimming in small levels it may be useful if the device repeats the dimming telegram in case of a sustained press for a presettable time (parameter "Telegram repetition"). The stop telegram after the end of the press is then not needed.

- i** When the parameters are hidden ("Advanced parameters = deactivated"), the dimming range is set to 100 %, the stop telegram is activated and the telegram repetition is deactivated.

### 12.2.1 Brightness

In the standard parameterisation, the brightness is dimmed, which is why the "Colour temperature control" parameter is set to inactive.

- i** Even with "colour temperature control" activated, the brightness can be dimmed.

The control of the brightness in the "Dimming and colour temperature" function distinguishes between dual-area operation and single-area operation. The parameter "Brightness on pressing" defines the single-area or dual-area dimming function.

dual-area operation	single-area operation
Brighter (ON)	Brighter / darker (TOGGLE)
Darker (OFF)	Brighter (TOGGLE)
	Darker (TOGGLE)

With dual-area operation, the device transmits a telegram for switching on or off after a brief actuation, and a telegram for increasing the brightness ("Brighter") or dimming ("Darker") after a long actuation.

With single-area operation, the device transmits ON and OFF telegrams in an alternating pattern ("TOGGLE") for each brief actuation, and the "brighter" and "darker" telegrams in an alternating pattern for long actuations of the respective button.

### 12.2.2 Colour temperature

When "Colour temperature control" is activated, the colour temperature can be dimmed.

- i** Even with "colour temperature control" activated, the brightness can be dimmed.

The "Dimming and colour temperature" function with the control of the colour temperature distinguishes between dual-area operation and single-area operation. The parameter "Colour temperature on pressing" defines the single-surface or double-surface dimming function.

dual-area operation	single-area operation
Increase (ON)	Increase / Reduce (TOGGLE)
Reduce (OFF)	Increase (TOGGLE)
	Reduce (TOGGLE)

With dual-area operation, the device transmits a telegram for switching on or off after a brief press, and a telegram for increasing or decreasing the colour temperature after a long press.

With single-area operation, the device transmits ON and OFF telegrams in an alternating pattern ("TOGGLE") for each brief press of the respective button, and "increase colour temperature" and "decrease colour temperature" telegrams in an alternating pattern for long actuations.

### 12.2.3 Brightness and colour temperature

If "colour temperature control" is activated, both the brightness and the colour temperature can be dimmed.

The dimming process can only adjust either the brightness or the colour temperature via individual objects.

Optionally, the brightness and the colour temperature can also be adjusted together via a combi object.

The "Dimming and colour temperature" function with the control of the brightness and colour temperature distinguishes between dual-area operation and single-area operation. The parameter "Brightness + colour temperature on pressing" defines the single-area or dual-area dimming function.

dual-area operation	single-area operation
Brighter + Increase (ON)	Brighter + Increase / Darker + Reduce (TOGGLE)
Darker + Reduce (OFF)	Brighter + Increase (TOGGLE)
	Darker + Reduce (TOGGLE)

With dual-area operation, the device transmits a telegram for switching on or off after a brief actuation, and a telegram for increasing the brightness / colour temperature or dimming the brightness / colour temperature after a long actuation.

With single-area operation, the device transmits ON and OFF telegrams in an alternating pattern ("TOGGLE") for each brief press of the respective button, and the "brighter + increase" and "darker + decrease" telegrams in an alternating pattern for long actuations.

## 12.2.4 Table of parameters

The following parameters are available for the individual buttons, depending on the set operating concept. The default settings change in accordance with the set operating concept.

Colour temperature control	<b>Inactive</b> Active
This parameter activates the variable colour temperature control and thus the Tunable White function. Additional parameters become visible.	
Communication	<b>Individual objects</b> Kombi object
With colour temperature control activated, either the brightness or the colour temperature can be dimmed via an individual object or the brightness and colour temperature can be controlled together via a combination object.	
Adjustment of	<b>Brightness</b> Colour temperature
For communication via individual objects, this parameter sets whether the brightness or the colour temperature is dimmed via an individual object.	
Brightness on pressing	no reaction Brighter (ON) Darker (OFF) <b>Brighter / darker (TOGGLE)</b> Brighter (TOGGLE) Darker (TOGGLE)
<p>This parameter defines the reaction when a button is pressed. If the device is to toggle on a brief press, the corresponding switching objects of other sensors with the same function must be interlinked.</p> <p>This parameter is only visible with:</p> <ul style="list-style-type: none"> <li>- "Colour temperature control =Inactive"or</li> <li>- "Colour temperature control = Active" and</li> <li>- "Communication = Individual objects" and</li> <li>- "Adjustment of = Brightness"</li> </ul>	

Colour temperature on pressing	no reaction Increase (ON) Reduce (OFF) <b>Increase / Reduce (TOGGLE)</b> Increase (TOGGLE) Reduce (TOGGLE)
<p>This parameter defines the reaction when a button is pressed. If the device is to toggle on a brief press, the corresponding switching objects of other sensors with the same function must be interlinked.</p> <p>This parameter is only visible with:</p> <ul style="list-style-type: none"> <li>- "Colour temperature control = Active" and</li> <li>- "Communication = Individual objects" and</li> <li>- "Adjustment of = Colour temperature"</li> </ul>	
Brightness + colour temperature on pressing	no reaction Brighter + Increase (ON) Darker + Reduce (OFF) <b>Brighter + Increase / Darker + Reduce (TOGGLE)</b> Brighter + Increase (TOGGLE) Darker + Reduce (TOGGLE)
<p>This parameter defines the reaction when a button is pressed. If the device is to toggle on a brief press, the corresponding switching objects of other sensors with the same function must be interlinked.</p> <p>This parameter is only visible with:</p> <ul style="list-style-type: none"> <li>- "Colour temperature control = Active" and</li> <li>- "Communication = Combi object"</li> </ul>	
Time between switching and dimming	0 ... 50 s   100 ... <b>400</b> ... 990 ms
<p>This parameter defines how long the button must be pressed for a dimming telegram to be transmitted.</p>	
Advanced parameters	Active <b>Inactive</b>
<p>When the advanced parameters are activated, the ETS shows the following parameters.</p>	

Increase brightness by	1.5 %
	3 %
	6 %
	12.5 %
	25 %
	50 %
	<b>100 %</b>

This parameter sets the relative dimming level when the brightness is increased. On each button-press, the brightness is changed at maximum by the configured step width.  
It is recommended that the device repeats the dimming telegrams automatically, particularly with a small dimming level (see "Telegram repetition").

Reduce brightness by	1.5 %
	3 %
	6 %
	12.5 %
	25 %
	50 %
	<b>100 %</b>

This parameter sets the relative dimming level when the brightness is reduced. On each button-press, the brightness is changed at maximum by the configured step width.  
It is recommended that the device repeats the dimming telegrams automatically, particularly with a small dimming level (see "Telegram repetition").

Increase colour temperature by	1.5 %
	3 %
	6 %
	12.5 %
	25 %
	50 %
	<b>100 %</b>

This parameter sets the relative dimming level when the colour temperature is increased. On each button-press, the brightness is changed at maximum by the configured step width.  
It is recommended that the device repeats the dimming telegrams automatically, particularly with a small dimming level (see "Telegram repetition").

Reduce colour temperature by	1.5 % 3 % 6 % 12.5 % 25 % 50 % <b>100 %</b>
<p>This parameter sets the relative dimming level when the colour temperature is reduced. On each button-press, the brightness is changed at maximum by the configured step width.</p> <p>It is recommended that the device repeats the dimming telegrams automatically, particularly with a small dimming level (see "Telegram repetition").</p>	
Stop telegram	<b>Active</b> Inactive
<p>On "Active" the device transmits a telegram for stopping the dimming process when the button is released.</p> <p><b>i</b> When the device transmits telegrams for dimming in smaller levels, the stop telegram is generally not needed.</p>	
Telegram repetition	Active <b>Inactive</b>
<p>This parameter can be used to activate telegram repetition for dimming. With telegram repetition activated, the device cyclically sends relative dimming telegrams (in the parameterised step width) to the bus if the button is pressed long.</p>	
Time between two telegrams	<b>200 ms</b> 300 ms 400 ms 500 ms 750 ms 1 s 2 s
<p>This parameter defines the interval at which the dimming telegrams are automatically repeated in the telegram repetition mode.</p> <p>This parameter is only visible if "Telegram repetition = active"!</p>	



## 12.2.5 Object list

The following communication objects are available for the individual buttons or rockers, depending on the set operating concept. The name of the object corresponds to the selection of the operating concept and can be specified by the parameter "Name of ...".

Object no.	Function	Name	Type	DPT	Flag
63, 69, ..., 93	Switching	Button/rocker <i>n</i> - output	1-bit	1.001	C, -, W, T, -
1-bit object for transmission of switching telegrams (ON, OFF).					

Object no.	Function	Name	Type	DPT	Flag
64, 70, ..., 94	Dimming brightness	Button/rocker <i>n</i> - output	4-bit	3.007	C, -, W, T, -
4-bit object for sending relative dimming telegrams to adjust the brightness.					

Object no.	Function	Name	Type	DPT	Flag
64, 70, ..., 94	Dimming brightness + colour temperature	Button/rocker <i>n</i> - output	3 bytes	250,600	C, -, W, T, -
3-byte object for sending dimming telegrams for adjusting the brightness and the colour temperature in combination.					

Object no.	Function	Name	Type	DPT	Flag
65, 71, ..., 95	Switching feedback	Button/rocker <i>n</i> - input	1-bit	1.001	C, -, W, -, U
1-bit object for receiving feedback telegrams (ON, OFF).					

Object no.	Function	Name	Type	DPT	Flag
66, 72, ..., 96	Dimming colour temperature	Button/rocker <i>n</i> - output	4-bit	3.007	C, -, W, T, -
4-bit object for sending relative dimming telegrams to adjust the colour temperature.					

## 12.3 Colour control and brightness

For each rocker or button with the function set to "colour control and brightness", the ETS indicates up to 10 objects. Generally, the device transmits a switching telegram (ON, OFF, TOGGLE) after a brief press to the bus, and cyclical telegrams for colour control after a long press. Either a colour sequence or a brightness adjustment can be achieved.

- i** The time needed by the device to detect an actuation as a long actuation can be set in the parameters.

The colour control is performed after parameterisation either in the colour space RGB or HSV. The colour space can be optionally expanded to include the white component. The bus communication can be performed either via individual objects or a combi object (only for RGB and RGBW). Using the parameters "Colour space" and "Communication" the data types of the communication objects are adjusted automatically.

### Feedback

If an actuator is controlled from multiple control elements, the actuator must report its switching status and its colour values to the feedback objects of the button or rocker. Due to the feedback, the device detects that the actuator has changed its switching status by input from another element and adjusts its switching status or colour value accordingly.

### Advanced configuration options

The device has advanced parameters for the colour control. If necessary, these advanced parameters can be activated and thus be made visible. The advanced parameters determine the source of the start value, the step width and the time between two telegrams of a value adjustment on a long press.

With the colour sequence, the step width is configured in degrees. The value adjustment takes place without a stop. As soon as the device reaches the lower or upper range limit, the device sends the value of this range limit and then inserts a pause whose duration corresponds to two steps. Thereafter, the device transmits a telegram with the value of the other range limit and continues the value adjustment in the same direction.

With the brightness adjustment, one step width for increase and one step width for reduction of brightness is parameterised as a percentage value. The brightness adjustment is done with stop.

- i** With hidden switched parameters ("Advanced parameters = deactivated"), the following default values are loaded to the device:
  - Start value = same as the value from the feedback object
  - Step width = 4° (only for colour sequence)
  - Increase brightness = 2% (only for brightness adjustment)
  - Reduce brightness = 2% (only for brightness adjustment)

- Time between two telegrams = 200 ms

### 12.3.1 colour sequence

The colour sequence performs a value adjustment of the colour hue (H) in the range from 0 to 360°.

- i** For the set colour space "RGB" or "RGBW", an adjustment of the colour hue (H) is converted internally in the device.

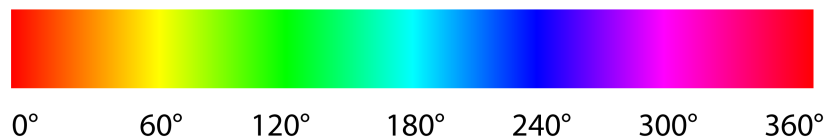


Image 18: Colour scale (Colour hue H)

The colour sequence is realised according to the adjustment direction ("Command on pressing") and the step width via bus telegrams. During a colour sequence with a long actuation, the device cyclically sends new values to the bus, whereby the colour wheel is run through.

- Colour space HSV and HSVW: The colour hue (H) changes cyclically by the parameterised step width. The saturation (S) and the brightness value (V) remain unaffected by a colour pass.
- Colour space RGB and RGBW: Depending on the start position at the beginning of the adjustment, the values R, G or B change cyclically.

#### Colour sequence - Colour picker

Using the colour picker of the ETS, the colour wheel sequence can be traced by adjusting the slider of the H value from 0° to 360°.

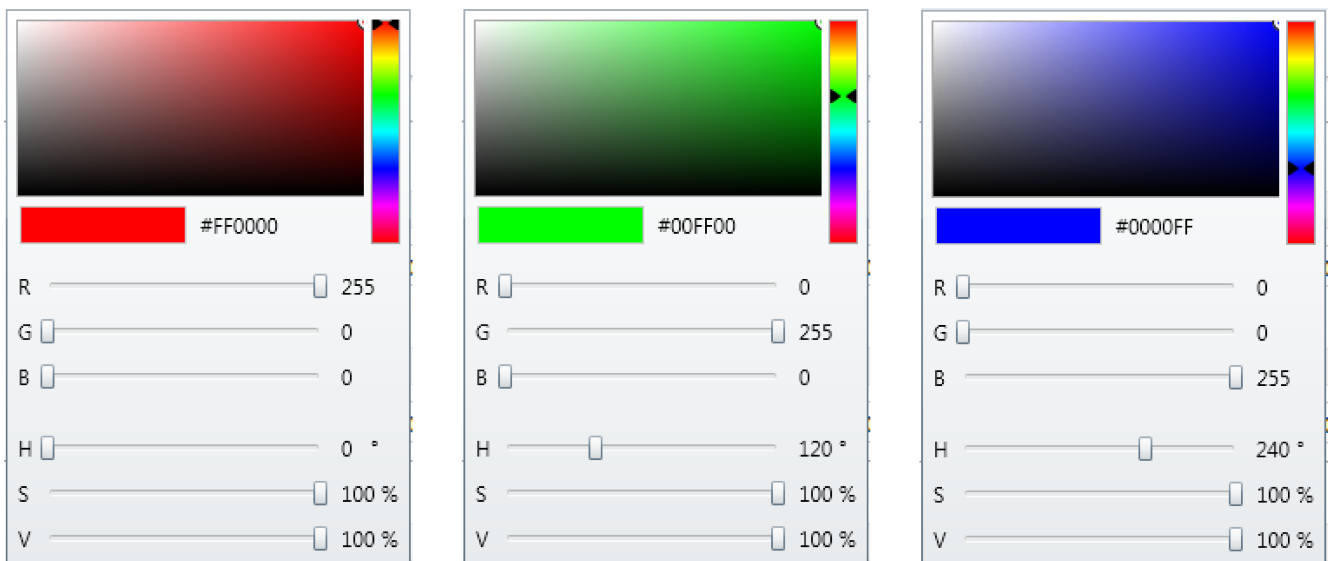


Image 19: Examples of colour adjustment using the ETS colour picker

Examples of HSV-RGB conversion:

Example	HSV - Values	RGB - Values	Colour
1	0°, 100%, 100%	255, 0, 0	Red
2	120°, 100%, 100%	0, 255, 0	Green
3	240°, 100%, 100%	0, 0, 255	Blue
4	360°, 0%, 100%	255, 255, 255	White
5	360°, 0%, 0%	0, 0, 0	Black

- i** With "Saturation (S) = 0%" and "Brightness (V) = 100%", a change in the colour hue (H) has no effect on the RGB values and thus no effect on the colour (see example 4).
- i** With "Saturation (S) = 0%" and "Brightness (V) = 0%", a change in the colour hue (H) has no effect on the RGB values and thus no effect on the colour (see example 5).

**Colour sequence - Operation of the function**

When operating the colour sequence, the device differentiates between dual-area operation and single-area operation. The parameter "Command on pressing" defines the single-area or dual-area operation principle.

dual-area operation	single-area operation
Colour sequence in anti-clockwise direction (ON)	Toggle colour sequence (TOGGLE)
Colour sequence in clockwise direction (OFF)	Colour sequence in anti-clockwise direction (TOGGLE)
	Colour sequence in clockwise direction (TOGGLE)

- i** With dual-area operation, the device transmits a telegram for switching on or off after a brief press, and a colour sequence telegram after a long press.
- i** With single-area operation, the device transmits ON and OFF telegrams in an alternating pattern ("TOGGLE") for each brief press of the respective button, and a colour sequence telegram for a long actuation.

## 12.3.2 Brightness adjustment

The brightness adjustment performs a value adjustment of the brightness value (V) in the range from 0 to 100%.



Image 20: Brightness scale (brightness value V) - example red

The brightness adjustment is realised according to the adjustment direction ("Command on pressing") and the step width ("Increase brightness" or "Reduce brightness") via bus telegrams. When adjusting the brightness, a long press causes the device to cyclically send new values to the bus, which changes the brightness.

- i** The brightness adjustment due to a long press ends automatically, either when the brightness is increased to 100 per cent or when the brightness is decreased to 0 per cent.
  - Colour space HSV and HSVW: The brightness value (V) changes cyclically by the parameterised step width ("Increase brightness" or "Reduce brightness"). The colour hue (H) and the saturation (S) remain unaffected by a brightness adjustment.
  - Colour space RGB and RGBW: Depending on the start position at the beginning of the adjustment, the values R, G or B change cyclically.

### Brightness adjustment - Colour picker

Using the colour picker of the ETS, the brightness adjustment can be reproduced by adjusting the slider of the V-value between 0% and 100%.

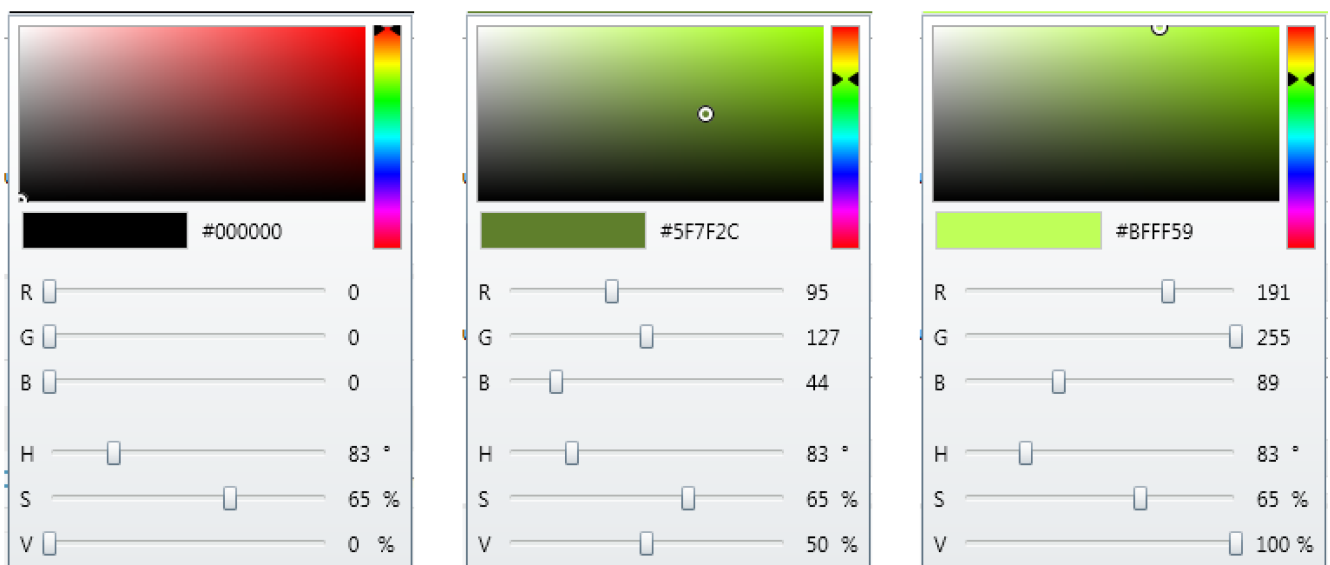


Image 21: Examples of brightness adjustment using the colour picker of the ETS

Examples of HSV-RGB conversion:

Example	HSV - Values	RGB - Values	Colour
1	83°, 65%, 0%	0, 0, 0	Black
2	83°, 65%, 50%	95, 127, 44	Dark green
3	83°, 65%, 100%	191, 255, 89	Light green

- i** With "Brightness (V) = 0%", a change in the colour hue (H) or the saturation (S) has no effect on the RGB values and thus no effect on the colour (see example 1).

### Brightness adjustment - Operating the function

When operating the brightness adjustment, the device differentiates between dual-area operation and single-area operation. The parameter "Command on pressing" defines the single-area or dual-area operation principle.

dual-area operation	single-area operation
Brightness adjustment brighter (ON)	Brightness adjustment brighter / darker (TOGGLE)
Brightness adjustment darker (OFF)	Brightness adjustment brighter (TOGGLE)
	Brightness adjustment darker (TOGGLE)

- i** With dual-area operation, the device transmits a telegram for switching on or off after a brief press, and brightness adjustment telegrams after a long press.
- i** With single-area operation, the device transmits ON and OFF telegrams in an alternating pattern ("TOGGLE") for each brief press of the button, and telegrams for brightness adjustment for a long actuation.

### 12.3.3 Table of parameters

Type of colour control	<b>colour sequence</b> Brightness adjustment
<p>This parameter sets whether a colour circle run or a brightness adjustment is performed. Depending on this setting, all further parameters are automatically adjusted.</p> <ul style="list-style-type: none"> <li>- The colour sequence performs a value adjustment of the colour hue (H) in the range from 0 to 360°.</li> <li>- The brightness adjustment performs a value adjustment of the brightness value (V) in the range from 0 to 100%. This function is unsuitable for combination with DALI operating devices. In this case, the brightness adjustment should be implemented with the function "Dimming and colour temperature" (DPT 3.007).</li> </ul>	
Colour space	RGB <b>RGBW</b> HSV HSVW
<p>This parameter defines the colour space of the function. With the colour spaces RGB and RGBW, communication can take place via individual objects or via a combination object. With the colour spaces HSV and HSVW, communication takes place via individual objects.</p>	
Communication	Individual objects <b>Kombi object</b>
<p>Only when the colour space is set to RGB or RGBW, can communication via the bus take place either via individual objects (red, green, blue, white*) or via a combination object (RGBW). The parameter defines input and output objects in the same way. *Only for RGBW</p>	
Value (RGB/HSV)	#000000 ... <b>#FF0000</b> ... #FFFFFF
<p>This parameter determines the object values (communication via individual objects) or the object value (communication via combination object) when the button is pressed.</p> <p>The value (RGB/HSV) is configured by means of a colour picker.</p> <p>The W-value is parameterised using a separate slider.</p>	
Value (W)	0 ... 255 or 0 ... 100%
<p>This parameter defines the white value for the object when the button is pressed.</p> <p>When the colour space has been configured to "RGBW" the W-value is set from 0 to 255.</p> <p>When the colour space has been parameterised to "HSVW" the W-value is set between 0 and 100%.</p>	



<p>Command on pressing</p>	<p>no reaction                  Colour sequence in anti-clockwise direction (ON)                  Colour sequence in clockwise direction (OFF)                  Toggle colour sequence (TOGGLE)  <b>Colour sequence in anti-clockwise direction (TOGGLE)</b>                  Colour sequence in clockwise direction (TOGGLE)</p>
<p>When the button is actuated briefly, the device sends a switching telegram according to the parameterisation (ON, OFF or TOGGLE).</p> <p>With a long press, the device can either vary the values always in the same direction or it stores the direction of the last adjustment and reverses it on the next button-press.</p> <p>The device adjusts the values in the same direction with the options:</p> <ul style="list-style-type: none"> <li>- Colour sequence in anti-clockwise direction (ON)</li> <li>- Colour sequence in clockwise direction (OFF)</li> <li>- Colour sequence in anti-clockwise direction (TOGGLE)</li> <li>- Colour sequence in clockwise direction (TOGGLE)</li> </ul> <p>The device inverts the adjustment direction with the following option:</p> <ul style="list-style-type: none"> <li>- Toggle colour sequence (TOGGLE)</li> </ul> <p>This parameter is only visible if the "Type of colour control = Colour sequence" has been parameterised.</p>	

<p>Command on pressing</p>	<p>no reaction                  Brightness adjustment brighter (ON)                  Brightness adjustment darker (OFF)                  Brightness adjustment brighter / darker (TOGGLE)  <b>Brightness adjustment brighter (TOGGLE)</b>                  Brightness adjustment darker (TOGGLE)</p>
<p>When the button is actuated briefly, the device sends a switching telegram according to the parameterisation (ON, OFF or TOGGLE).</p> <p>With a long press, the device can either vary the values always in the same direction or it stores the direction of the last adjustment and reverses it on the next button-press.</p> <p>The device adjusts the values in the same direction with the options:</p> <ul style="list-style-type: none"> <li>- Brightness adjustment brighter (ON)</li> <li>- Brightness adjustment darker (OFF)</li> <li>- Brightness adjustment brighter (TOGGLE)</li> <li>- Brightness adjustment darker (TOGGLE)</li> </ul> <p>The device inverts the adjustment direction with the following option:</p> <ul style="list-style-type: none"> <li>- Brightness adjustment brighter / darker (TOGGLE)</li> </ul> <p>This parameter is only visible if the "Type of colour control = Brightness adjustment" has been parameterised.</p>	
<p>Time between switching and colour sequence</p>	<p>0 ... 50 s   100 ... <b>400</b> ... 990 ms</p>
<p>This parameter defines how long the button must be pressed for a colour sequence to be started.</p> <p>This parameter is only visible if the "Type of colour control = Colour sequence" has been parameterised.</p>	
<p>Time between switching and brightness adjustment</p>	<p>0 ... 50 s   100 ... <b>400</b> ... 990 ms</p>
<p>This parameter defines how long the button must be pressed for a brightness adjustment to be started.</p> <p>This parameter is only visible if the "Type of colour control = Brightness adjustment" has been parameterised.</p>	
<p>Advanced parameters</p>	<p>Active  <b>Inactive</b></p>
<p>When the advanced parameters are activated, the ETS shows the following parameters, depending on the parameter "Type of colour control".</p>	

Start value	same as configured value Same as value after last adjustment <b>as value from feedback object</b>
<p>Value adjustment can begin with different starting values.</p> <p>With "Same as parameterised value": After each long press, the device always starts with the value configured in the ETS.</p> <p>With "Same as value after last adjustment": After a long press, the device starts with the value transmitted by itself or by another device with this group address as the last value.</p> <p>With "Same as value from feedback object": After each long press, the device starts with the value that it or another device with this group address transmitted as the last value.</p> <p><b>i</b> The start value of the value adjustment is different for both buttons of a rocker if the setting is "same as value after last adjustment". If the value adjustment works for both buttons of a rocker and the last rocker adjustment is to be taken into account, the setting "same as value from feedback object" must be configured.</p>	

Step width	1° 2° <b>4°</b> 5° 10° 20° 25° 30° 50° 60°
<p>This parameter defines the step width with which the device adjusts the colour when a button is pressed for a long time and telegram repetition is activated.</p> <p>In a value adjustment, the device determines the new telegram value from the previous value and the preset step width. If the value falls below the lower limit of the adjustment range or if it exceeds the upper limit, the sensor adapts the step width of the last step automatically.</p> <p>This parameter is only visible if the "Type of colour control = Colour sequence" has been parameterised.</p>	

Increase brightness	1%
	<b>2%</b>
	3%
	4%
	5%
	6%
	7%
	8%
	9%
	10%

This parameter defines the step width with which the device increases the brightness when a button is pressed for a long time and telegram repetition is activated.

In a value adjustment, the device determines the new telegram value from the previous value and the preset step width. If the value falls below the lower limit of the adjustment range or if it exceeds the upper limit, the sensor adapts the step width of the last step automatically.

This parameter is only visible if the "Type of colour control = Brightness adjustment" has been parameterised.

Reduce brightness	1%
	<b>2%</b>
	3%
	4%
	5%
	6%
	7%
	8%
	9%
	10%

This parameter defines the step width with which the device reduces the brightness when a button is pressed for a long time and telegram repetition is activated.

In a value adjustment, the device determines the new telegram value from the previous value and the preset step width. If the value falls below the lower limit of the adjustment range or if it exceeds the upper limit, the sensor adapts the step width of the last step automatically.

This parameter is only visible if the "Type of colour control = Brightness adjustment" has been parameterised.

Telegram repetition	<b>Active</b>
The telegram repetition for colour control is always active. The device cyclically sends operating telegrams (in the parameterised step width) to the bus if the button is pressed for a long time.	

Time between two telegrams	<b>0.5 s</b> 1 s 2 s 5 s 10 s
<p>This parameter determines how fast the telegrams for operating the colour sequence are automatically repeated in the telegram repetition mode.</p> <p>This parameter is only visible if "Type of colour control = Colour sequence" and "Telegram repetition = active" have been parameterised!</p>	
Time between two telegrams	<b>200 ms</b> 300 ms 400 ms 500 ms 750 ms 1 s 2 s
<p>This parameter determines how fast the telegrams for operating the brightness adjustment are automatically repeated in the telegram repetition mode.</p> <p>This parameter is only visible if "Type of colour control = Brightness adjustment" and "Telegram repetition = active" have been parameterised!</p>	

### 12.3.4 Object list

The following communication objects are available for the individual buttons or rockers, depending on the set operating concept. The name of the object corresponds to the selection of the operating concept and can be specified by the parameter "Name of ...".

Object no.	Function	Name	Type	DPT	Flag
573, 588, ..., 648	Switching	Button/rocker <i>n</i> - output	1-bit	1.001	C, -, -, T, -
1-bit object for transmission of switching telegrams (ON, OFF).					

Object no.	Function	Name	Type	DPT	Flag
574, 589, ..., 649	Switching feedback	Button/rocker <i>n</i> - input	1-bit	1.001	C, -, W, -, U
1-bit object for receiving feedback telegrams (ON, OFF).					

Object no.	Function	Name	Type	DPT	Flag
575, 590, ..., 650	Colour value RGB	Button/rocker <i>n</i> - output	3 bytes	232,600	C, -, -, T, -
3-byte object for transmitting the RGB colour values. This object is only visible with "Colour space = RGB" and "Communication = Combi object".					

Object no.	Function	Name	Type	DPT	Flag
575, 590, ..., 650	Colour value RGBW	Button/rocker <i>n</i> - output	6 bytes	251,600	C, -, -, T, -
6-byte object for transmitting the RGBW colour values. This object is only visible with "Colour space = RGBW" and "Communication = Combi object".					

Object no.	Function	Name	Type	DPT	Flag
576, 591, ..., 651	Colour value Red	Button/rocker <i>n</i> - output	1 byte	5.001	C, -, -, T, -
1-byte object for transmitting the red colour value. This object is only visible with "Colour space = RGB or RGBW" and "Communication = Individual objects".					

Object no.	Function	Name	Type	DPT	Flag
576, 591, ..., 651	Colour hue (H)	Button/rocker <i>n</i> - output	1 byte	55.003	C, -, -, T, -
1-byte object for transmitting the colour hue. This object is only visible with "Colour space = HSV or HSVW".					

Object no.	Function	Name	Type	DPT	Flag
577, 592, ..., 652	Colour value Green	Button/rocker <i>n</i> - output	1 byte	5.001	C, -, -, T, -

1-byte object for transmitting the green colour value.

This object is only visible with "Colour space = RGB or RGBW" and "Communication = Individual objects".

Object no.	Function	Name	Type	DPT	Flag
577, 592, ..., 652	Saturation (S)	Button/rocker <i>n</i> - output	1 byte	5.001	C, -, -, T, -

1-byte object for transmitting the saturation.

This object is only visible with "Colour space = HSV or HSVW".

Object no.	Function	Name	Type	DPT	Flag
578, 593, ..., 653	Colour value Blue	Button/rocker <i>n</i> - output	1 byte	5.001	C, -, -, T, -

1-byte object for transmitting the blue colour value.

This object is only visible with "Colour space = RGB or RGBW" and "Communication = Individual objects"

Object no.	Function	Name	Type	DPT	Flag
578, 593, ..., 653	Brightness (V)	Button/rocker <i>n</i> - output	1 byte	5.001	C, -, -, T, -

1-byte object for transmitting the brightness value.

This object is only visible with "Colour space = HSV or HSVW".

Object no.	Function	Name	Type	DPT	Flag
579, 594, ..., 654	Colour value White	Button/rocker <i>n</i> - output	1 byte	5.001	C, -, -, T, -

1-byte object for transmitting the white colour value.

This object is only visible with "Colour space = RGBW" and "Communication = Individual objects".

Object no.	Function	Name	Type	DPT	Flag
579, 594, ..., 654	White level (W)	Button/rocker <i>n</i> - output	1 byte	5.001	C, -, -, T, -

1-byte object for transmitting the white level.

This object is only visible with "Colour space = HSVW".

Object no.	Function	Name	Type	DPT	Flag
581, 596, ..., 656	Colour value RGB feedback	Button/rocker <i>n</i> - input	3 bytes	232,600	C, -, W, -, U

3-byte object for receiving feedback telegrams (RGB colour values).

This object is only visible with "Colour space = RGB" and "Communication = Combi object".

Object no.	Function	Name	Type	DPT	Flag
581, 596, ..., 656	Colour value RGBW feedback	Button/rocker <i>n</i> - input	6 bytes	251,600	C, -, W, -, U

6-byte object for receiving feedback telegrams (RGBW colour values).

This object is only visible with "Colour space = RGBW" and "Communication = Combi object".

Object no.	Function	Name	Type	DPT	Flag
582, 597, ..., 657	Colour value Red feedback	Button/rocker <i>n</i> - input	1 byte	5.001	C, -, W, -, U

1-byte object for receiving feedback telegrams (red colour value).

This object is only visible with "Colour space = RGB or RGBW" and "Communication = Individual objects"

Object no.	Function	Name	Type	DPT	Flag
582, 597, ..., 657	Colour hue (H) feedback	Button/rocker <i>n</i> - input	1 byte	5.003	C, -, W, -, U

1-byte object for receiving feedback telegrams (colour hue H).

This object is only visible with "Colour space = HSV or HSVW".

Object no.	Function	Name	Type	DPT	Flag
583, 598, ..., 658	Colour value Green feedback	Button/rocker <i>n</i> - input	1 byte	5.001	C, -, W, -, U

1-byte object for receiving feedback telegrams (green colour value).

This object is only visible with "Colour space = RGB or RGBW" and "Communication = Individual objects"

Object no.	Function	Name	Type	DPT	Flag
583, 598, ..., 658	Saturation (S) feedback	Button/rocker <i>n</i> - input	1 byte	5.001	C, -, W, -, U

1-byte object for receiving feedback telegrams (saturation S).

This object is only visible with "Colour space = HSV or HSVW".



Object no.	Function	Name	Type	DPT	Flag
584, 599, ..., 659	Colour value Blue feedback	Button/rocker <i>n</i> - input	1 byte	5.001	C, -, W, -, U

1-byte object for receiving feedback telegrams (blue colour value).

This object is only visible with "Colour space = RGB or RGBW" and "Communication = Individual objects"

Object no.	Function	Name	Type	DPT	Flag
584, 599, ..., 659	Brightness (V) feedback	Button/rocker <i>n</i> - input	1 byte	5.001	C, -, W, -, U

1-byte object for receiving feedback telegrams (brightness value V).

This object is only visible with "Colour space = HSV or HSVW".

Object no.	Function	Name	Type	DPT	Flag
585, 600, ..., 660	Colour value White feedback	Button/rocker <i>n</i> - input	1 byte	5.001	C, -, W, -, U

1-byte object for receiving feedback telegrams (white colour value).

This object is only visible with "Colour space = RGBW" and "Communication = Individual objects".

Object no.	Function	Name	Type	DPT	Flag
585, 600, ..., 660	White level (W) feedback	Button/rocker <i>n</i> - input	1 byte	5.001	C, -, W, -, U

1-byte object for receiving feedback telegrams (white value W).

This object is only visible with "Colour space = HSVW".

## 12.4 Shading

For each rocker or each button with the function set to "Shading" the ETS indicates the two 1-bit objects "Short-time operation" and "Long-time operation".

The "Shading" function distinguishes between dual-area operation (UP, DOWN) and single-area operation (TOGGLE). The parameter "Command on pressing" defines the single-area or double-area blind function.

With an operating area as a rocker, the double-surface Venetian blind function is pre-set. This means that the push-button sensor transmits a telegram for an upward movement, for example after an actuation of the left actuation point and a telegram for a downward movement after an actuation of the right actuation point.

In the case of an operating area as buttons, the device is preprogrammed for single-surface Venetian blind function. In this case, the push-button sensor alternates between the directions of the long time telegram (TOGGLE) on each long actuation of the sensor. Several short time telegrams in succession have the same direction.

If the actuator can be controlled from several sensors, a faultless single-area operation requires that the long time objects of the push-button sensors are interlinked. The push-button sensor would otherwise not be able to detect that the actuator has been addressed from another sensor, in which case it would have to be actuated twice during the next use in order to produce the desired reaction.

### Operating concepts for the shading function

For the control of Venetian blind, roller shutter, awning or similar drives, the push-button sensor supports four operation concepts in which the telegrams are transmitted in different time sequences. The push-button sensor can therefore be used to operate a wide variety of drive configurations.

The different operation concepts are described in detail in the following chapter.

#### Operation concept "short – long – short"

In the operation concept "short – long – short", the push-button sensor shows the following behaviour:

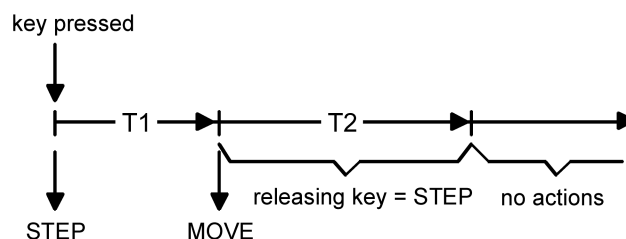


Image 22: Operation concept "short – long – short"

- Immediately on pressing the button, the push-button sensor transmits a short time telegram. Pressing the button stops a running drive and starts time T1 ("time between short time and long time command"). No other telegram will be transmitted, if the key is released within T1. This short time serves the purpose of stopping a continuous movement.

The "time between short and long-time command" in the push-button sensor should be selected shorter than the short-time operation of the actuator to prevent a jerky movement of the Venetian blind.

- If the button is kept depressed longer than T1, the push-button transmits a long time telegram after the end of T1 for starting up the drive and time T2 ("slat adjusting time") is started.
- If the button is released within the slat adjusting time, the push-button sensor sends another short time telegram. This function is used for adjusting the slats of a Venetian blind. The function permits stopping the slats in any position during their rotation.

The "slat adjusting time" should be chosen as required by the drive for a complete rotation of the slats. If the "slat adjusting time" is selected longer than the complete running time of the drive, a push button function is possible as well. This means that the drive is active only when the button is kept depressed.

- If the button is kept depressed longer than T2, the push-button sensor transmits no further telegram. The drive remains on until the end position is reached.

#### Operation concept "long – short":

In the operation concept "short – long – short", the push-button sensor shows the following behaviour:

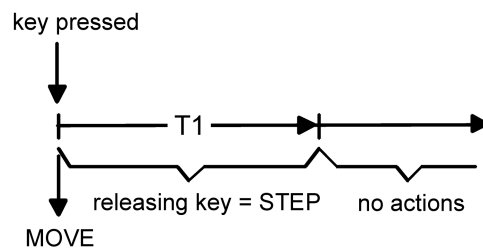


Image 23: Operation concept "long – short"

- Immediately on pressing the button, the push-button sensor transmits a long time telegram. The drive begins to move and time T1 ("slat adjusting time") is started.
- If the button is released within the slat adjusting time, the push-button sensor transmits a short time telegram. This function is used for adjusting the slats of a Venetian blind. The function permits stopping the slats in any position during their rotation.

The "slat adjusting time" should be chosen as required by the drive for a complete rotation of the slats. If the "slat adjusting time" is selected longer than the complete running time of the drive, a push button function is possible as well. This means that the drive is active only when the button is kept depressed.

- If the button is kept depressed longer than T1, the push-button sensor transmits no further telegram. The drive remains on until the end position is reached.

#### Operation concept "short – long"

In the operation concept "short – long – short", the push-button sensor shows the following behaviour:

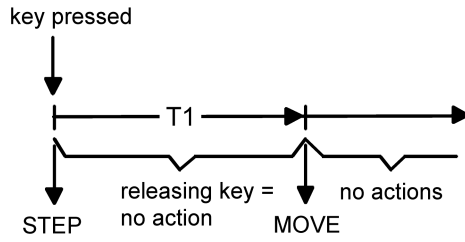


Image 24: Operation concept "short – long"

- Immediately on pressing the button, the push-button sensor transmits a short time telegram. Pressing the button stops a running drive and starts time T1 ("time between short time and long time command"). No other telegram will be transmitted, if the key is released within T1. This short time serves the purpose of stopping a continuous movement. The "time between short and long-time command" in the push-button sensor should be selected shorter than the short-time operation of the actuator to prevent a jerky movement of the Venetian blind.
- If the button is kept depressed longer than T1, the push-button transmits a long time telegram after the end of T1 for starting the drive.
- No further telegram is transmitted when the push-button is released. The drive remains on until the end position is reached.

Operation concept "long – short or short":

In the operation concept "long – short or short", the push-button sensor shows the following behaviour:

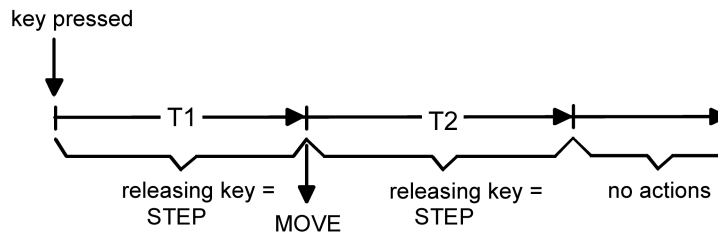


Image 25: Operation concept "long – short or short"

- Immediately on pressing the button, the push-button sensor starts time T1 ("time between short and long time command") and waits. If the button is released again before T1 has elapsed, the push-button sensor transmits a short time telegram. This telegram can be used to stop a running drive. A stationary drive rotates the slats by one level.
- If the button is kept depressed after T1 has elapsed, the push-button sensor transmits a long time telegram and starts time T2 ("slat adjusting time").
- If the button is released within T2, the push-button sensor sends another short time telegram. This function is used for adjusting the slats of a Venetian blind. The function permits stopping the slats in any position during their rotation. The "slat adjusting time" should be chosen as required by the drive for a complete rotation of the slats. If the "slat adjusting time" is selected longer than the complete running time of the drive, a push button function is possible as well. This means that the drive is active only when the button is kept depressed.

- If the button is kept depressed longer than T2, the push-button sensor transmits no further telegram. The drive remains on until the end position is reached.

### 12.4.1 Table of parameters

The following parameters are available for the individual buttons or for the left and right sides of the rockers, depending on the set operating concept. The default settings change in accordance with the set operating concept.

Command on pressing (Only for "button function" operating concept)	UP DOWN TOGGLE
This parameter defines the running direction of a drive after a button actuation. If the setting is "TOGGLE", the direction is changed after each long time command. If several push-buttons are to control the same drive, the long time objects of the push-buttons must be interlinked for a correct change of the running direction.	
Command on pressing (For "rocker function" operating concept and "standard installation position")	<b>Left rocker: UP / Right rocker: DOWN</b> Left rocker: DOWN / Right rocker: UP Left rocker: TOGGLE / Right rocker: TOGGLE
This parameter defines the running direction of a drive after a rocker actuation. If the setting is "TOGGLE", the direction is changed after each long time command. If several push-buttons are to control the same drive, the long time objects of the push-buttons must be interlinked for a correct change of the running direction.	
Command on pressing (For "rocker function" operating concept and "turned by -90°" installation position)	<b>Rocker top: UP / Rocker bottom: DOWN</b> Rocker top: DOWN / Rocker bottom: UP Rocker top: TOGGLE / Rocker bottom: TOGGLE
This parameter defines the running direction of a drive after a rocker actuation. If the setting is "TOGGLE", the direction is changed after each long time command. If several push-buttons are to control the same drive, the long time objects of the push-buttons must be interlinked for a correct change of the running direction.	
Operation concept	<b>short – long – short</b> long – short short – long long – short or short
For shading control, four different operating concepts can be selected. For these concepts, the ETS shows further parameters.	

Time between short-time and long-time command	100 ... <b>400</b> ... 300000
<p>This parameter sets the time in 100 millisecond increments after which the long-time operation will be evaluated on pressing the operating area.</p> <p>This parameter is not visible with "Operation concept = long – short"!</p>	
Slat adjusting time	0 ... <b>500</b> ... 300000
<p>This is used to set the time in 100 millimeter increments during which a transmitted MOVE telegram can be terminated by releasing the operating area (STEP). This function serves to adjust the slats of a Venetian blind.</p> <p>This parameter is not visible with "Operation concept = short - long"!</p>	

## 12.4.2 Object list

The following communication objects are available for the individual buttons or rockers, depending on the set operating concept. The object name corresponds to the selection for the operating concept (button or rocker). The name of the object can be specified by the parameter "Name of ...".

Object no.	Function	Name	Type	DPT	Flag
123, 126, ..., 138	Short-time operation	Button/rocker <i>n</i> - output	1-bit	1.007	C, -, -, T, -
<p>1-bit object for the transmission of telegrams with which a Venetian blind or shutter drive motor can be stopped or with which the blind slats can be adjusted by short time operation.</p>					
Object no.	Function	Name	Type	DPT	Flag
124, 139, ..., 139	Long-time operation	Button/rocker <i>n</i> - output	1-bit	1.008	C, -, W, T, -
<p>1-bit object for the transmission of telegrams with which a Venetian blind or shutter drive motor can be can be moved upwards or downwards.</p>					

## 12.5 Value transmitter

With the "Value transmitter" function, the device sends parameterised values to the bus at the press of a button. In case of a rocker function, different values can be configured for both buttons.

### Value ranges

The value transmitter knows twelve different value ranges. Depending on the application, the parameters "Function" and "Value range" determine which value range the value transmitter uses.

Function	Function	Lower numerical limit	Upper numerical limit
1-byte value transmitter	0...255	0	255
1-byte value transmitter	0...100%	0%	100%
1-byte value transmitter	-128...127	-128	127
1-byte value transmitter	0...255%	0%	255%
2-byte value transmitter	0...65535	0	65535
2-byte value transmitter	-32768...32767	-32768	32767
2-byte value transmitter	Temperature value	0 °C	40 °C
2-byte value transmitter	brightness value	0 lux	1500 lux
2-byte value transmitter	Colour temperature value	1000 K	10000 K
Value transmitter 3-byte	Colour value RGB/HSV	#000000	#FFFFFF
6-byte value transmitter	Colour value RGBW/HSVW	#000000 + 0	#FFFFFF + 255
6-byte value transmitter	Colour temperature value + brightness	1000 K   0 %	10000 K   100 %

For each of these ranges, the value that can be transmitted to the bus for each button actuation is configurable.

### 12.5.1 1-byte value transmitter

The 1-byte value transmitter is available in the following four variants:

- 0 ... 255
- 0 ... 100%
- -128 ... 127
- 0 ... 255%

For each rocker or button, ETS indicates an object for sending out the parameterised value. On pressing a button, the configured value is transmitted to the bus. In case of a rocker function, different values can be configured for both buttons.

### 12.5.2 2-byte value transmitter

The 2-byte value transmitter is available in the following five variants:

- 0 ... 65535
- -32768 ... 32767
- Temperature value (0 ... 40 °C)
- Brightness value (0, 50, ..., 1500 lux)
- Colour temperature value (1000, 1100, ..., 10000)

For each rocker or button, ETS indicates an object for sending out the parameterised value. On pressing a button, the configured value is transmitted to the bus. In case of a rocker function, different values can be configured for both buttons.



### 12.5.3 3-byte value transmitter

The 3-byte value transmitter is available in the following variant:

- Colour value RGB/HSV

For each rocker or button, ETS indicates up to three objects for sending out the parameterised values. The parameterised values are sent to the bus at the touch of a button. In case of a rocker function, different values can be configured for both buttons.

In the parameters, the colour space of this function can be defined. With the colour space RGB, communication can take place via individual objects or via a combination object. With the colour space HSV, communication takes place via individual objects.

The object values to be transmitted are parameterised via a colour picker.

### 12.5.4 6-byte value transmitter

The 6-byte value transmitter is available in the following two variants:

- Colour value RGBW/HSVW
- Colour temperature value + brightness

For each rocker or button, ETS indicates up to four objects for transmitting the parameterised values. The parameterised values are sent to the bus at the touch of a button. In case of a rocker function, different values can be configured for both buttons.

With the value range "Colour value RGBW/HSVW", the colour space of this function can be defined in the parameters. With the colour space RGBW, communication can take place via individual objects or via a combination object. With the colour space HSVW, communication takes place via individual objects.

The RGB or HSV object values to be transmitted are parameterised via a colour picker. The object value W is parameterised using a separate slider.

With the value range "Colour temperature value + brightness", the object values to be transmitted for colour temperature and brightness as well as a time window are defined in the parameters. The device packs all three pieces of information together in one communication object and sends them to the bus. The receiving actuator converts this information, according to DPT 249.600 and sets the colour temperature and brightness in the parameterised time window.

### 12.5.5 Table of parameters

The following parameters are available for the individual buttons, depending on the set operating concept. The default settings change in accordance with the set operating concept.

Function	No function <b>1 byte</b> 2 bytes 3 bytes 6 bytes
----------	---

The "value transmitter" function distinguishes between 1-byte, 2-byte 3-byte and 6-byte values.

Value range	<b>1 byte (0...255)</b> 1 byte (0...100%) 1 byte (-128...127) 1 byte (0...255%)
-------------	--

The 1-byte value transmitter offers these value ranges for setting.  
The other parameters and objects of the function are based on the setting of this parameter.

Value range	<b>2 byte (0...65535)</b> 2 byte (-32768...32767) 2 byte temperature value 2 byte brightness value 2 bytes colour temperature value
-------------	---

The 2-byte value transmitter offers these value ranges for setting.  
The other parameters and objects of the function are based on the setting of this parameter.

Value range	<b>3 bytes colour value RGB/HSV</b>
-------------	-------------------------------------

The 3-byte value transmitter offers these value ranges for setting.  
The other parameters and objects of the function are based on the setting of this parameter.

Colour space	<b>RGB</b> HSV
--------------	-------------------

This parameter defines the colour space of the function. With RGB, communication can take place via individual objects or via a combination object. With HSV, communication takes place via individual objects.

This parameter is only visible if "Value range = 3-byte colour value RGB/HSV"

Communication	<b>Individual objects</b> Kombi object
When the colour space is set to RGB, communication via the bus can take place either via individual objects (red, green, blue) or via a combination object (RGB). This parameter is only visible if "Value range = 3-byte colour value RGB/HSV"	
Value range	<b>6 bytes colour value RGBW/HSVW</b> 6 bytes colour temperature value + brightness
The 6-byte value transmitter offers these value ranges for setting. The other parameters and objects of the function are based on the setting of this parameter.	
Colour space	<b>RGBW</b> HSVW
This parameter defines the colour space of the function. With RGBW, communication can take place via individual objects or via a combination object. With HSVW, communication takes place via individual objects. This parameter is only visible if "Value range = 6-byte colour value RGBW/HSVW"	
Communication	<b>Individual objects</b> Kombi object
When the colour space is set to RGBW, communication via the bus can take place either via individual objects (red, green, blue, white) or via a combination object (RGBW). This parameter is only visible if "Value range = 6-byte colour value RGBW/HSVW"	
Value (0...255)	<b>0...255</b>
This parameter defines the object value when the button is pressed. This parameter is only visible if "Function = 1-byte" and "Value range = 1-byte (0...255)".	
Value (0...100 %)	<b>0...100</b>
This parameter defines the object value when the button is pressed. This parameter is only visible if "Function = 1-byte" and "Value range = 1-byte (0...100%)".	
Value (-128...127)	<b>-128...0...127</b>
This parameter defines the object value when the button is pressed. This parameter is only visible if "Function = 1-byte" and "Value range = 1-byte (-128...127)".	

Value (0...255%)	0...255
<p>This parameter defines the object value when the button is pressed.</p> <p>This parameter is only visible if "Function = 1-byte" and "Value range = 1-byte (0...255%)".</p>	
Value (0...65535)	0...65535
<p>This parameter defines the object value when the button is pressed.</p> <p>This parameter is only visible if "Function = 2-byte" and "Value range = 2-byte (0...65535)".</p>	
Value (-32768...32767)	-32768...0...32767
<p>This parameter defines the object value when the button is pressed.</p> <p>This parameter is only visible if "Function = 2-byte" and "Value range = 2-byte (-32768...32767)".</p>	
Temperature value (0...40 °C)	0...20...40
<p>This parameter defines the object value when the button is pressed.</p> <p>This parameter is only visible if "Function = 2-byte" and "Value range = 2-byte temperature value".</p>	
Brightness value (0, 50, ..., 1500 lux)	0, 50, ..., 300, ..., 1500
<p>This parameter defines the object value when the button is pressed.</p> <p>This parameter is only visible if "Function = 2-byte" and "Value range = 2-byte brightness value".</p>	
Colour temperature (1000, 1100, ..., 10000 K)	1000, 1100, ..., 2700, ..., 10000
<p>This parameter defines the object value when the button is pressed.</p> <p>This parameter is only visible if "Function = 2-byte" and "Value range = 2-byte temperature value".</p>	
Value (RGB/HSV)	#000000 ... #FFFFFF
<p>This parameter determines the object values of the following output objects when the button is pressed:</p> <ul style="list-style-type: none"> <li>– "Colour value transmitter red", "Colour value transmitter green", "Colour value transmitter blue" or</li> <li>– "Colour value transmitter RGB", "Colour value transmitter <b>RGBW</b>"</li> </ul> <p>or</p> <ul style="list-style-type: none"> <li>– "Colour hue (H)", "Saturation (S)", "Brightness (V)"</li> </ul> <p>The parameter is visible with "Function = 3-byte RGB/HSV" or "Function = 6-byte RGBW/HSVW".</p> <p>The value (RGB/HSV) is configured by means of a colour picker.</p> <p>With the "6 byte RGBW / HSVW" function, the W value is configured using a separate slider.</p>	

Value (W)	0 ... 255
<p>This parameter determines the object values of the following output objects when the button is pressed:</p> <ul style="list-style-type: none"> <li>– "Colour value transmitter White" or</li> <li>– "Colour value transmitter RGBW"</li> </ul> <p>Visible only if "Function = 6-byte RGBW/HSVW" and "Colour space = RGBW".</p>	
Value (W)	0 ... 100 %
<p>This parameter determines the object values of the following output objects, when the button is pressed:</p> <ul style="list-style-type: none"> <li>– "White level (W)"</li> </ul> <p>Visible only if "Function = 6-byte RGBW/HSVW" and "Colour space = HSVW".</p>	
Colour temperature (1000, 1100, ..., 10000 K)	1000, 1100, ..., 2700, ..., 10000
<p>This parameter determines the colour temperature of the object value when the button is pressed.</p> <p>This parameter is only visible if "Function = 6-byte" and "Value range = 6-byte temperature value + brightness".</p>	
Brightness	0 ... 100 %
<p>This parameter determines the brightness of the object value when the button is pressed.</p> <p>This parameter is only visible if "Function = 6-byte" and "Value range = 6-byte temperature value + brightness".</p>	
Time frame	0 ... 100 min   0 ... 1 ... 59 s   0 ... 900 ms
<p>This parameter determines the time period in which the actuator adjusts the colour temperature and brightness after the button has been pressed.</p> <p>This parameter is only visible if "Function = 6-byte" and "Value range = 6-byte temperature value + brightness".</p>	

## 12.5.6 Object list

The following communication objects are available for the individual buttons or rockers, depending on the set operating concept. The name of the object corresponds to the selection of the operating concept and can be specified by the parameter "Name of ...".

Object no.	Function	Name	Type	DPT	Flag
153, 165, ..., 213	Value transmitter 0...255	Button/rocker <i>n</i> - output	1 byte	5.010	C, -, -, T, -

1-byte object for the transmission of values from 0 to 255.

- i** These objects are only visible when:
- "Function = 1 byte" and
  - "Value range = 1 byte (0...255)"

Object no.	Function	Name	Type	DPT	Flag
153, 165, ..., 213	Value transmitter 0...100 %	Button/rocker <i>n</i> - output	1 byte	5.001	C, -, -, T, -

1-byte object for transmitting values from 0 to 100%.

- i** These objects are only visible when:
- "Function = 1 byte" and
  - "Value range = 1 byte (0...100%)"

Object no.	Function	Name	Type	DPT	Flag
153, 165, ..., 213	Value transmitter -128...127	Button/rocker <i>n</i> - output	1 byte	6.010	C, -, -, T, -

1-byte object for the transmission of values from -128 to 127.

- i** These objects are only visible when:
- "Function = 1 byte" and
  - "Value range = 1 byte (-128...127)"

Object no.	Function	Name	Type	DPT	Flag
153, 165, ..., 213	Value transmitter 0...255 %	Button/rocker <i>n</i> - output	1 byte	5.004	C, -, -, T, -

1-byte object for transmitting values from 0 to 255%.

- i** These objects are only visible when:
- "Function = 1 byte" and
  - "Value range = 1 byte (0...255%)"

Object no.	Function	Name	Type	DPT	Flag
153, 165, ..., 213	Value transmitter 0...65535	Button/rocker <i>n</i> - output	2 bytes	7.001	C, -, -, T, -

2-byte object for the transmission of values from 0 to 65535.

- i** These objects are only visible when:
- "Function = 2 byte" and
  - "Value range = 2 bytes (0...65535)"

Object no.	Function	Name	Type	DPT	Flag
153, 165, ..., 213	Value transmitter -32768...32767	Button/rocker <i>n</i> - output	2 bytes	8.001	C, -, -, T, -

2-byte object for the transmission of values from -32768 to 32767.

- i** These objects are only visible when:
- "Function = 2 byte" and
  - "Value range = 2 bytes (-32768...32767)"

Object no.	Function	Name	Type	DPT	Flag
153, 165, ..., 213	Temperature value transmitter	Button/rocker <i>n</i> - output	2 bytes	9.001	C, -, -, T, -

2-byte object for transmitting temperature values from 0 to 40 °C.

- i** These objects are only visible when:
- "Function = 2 byte" and
  - "Value range = 2-byte temperature value"

Object no.	Function	Name	Type	DPT	Flag
153, 165, ..., 213	Brightness value transmitter	Button/rocker <i>n</i> - output	2 bytes	9.004	C, -, -, T, -

2-byte object for transmitting brightness values from 0 to 1500 Lux.

- i** These objects are only visible when:
- "Function = 2 byte" and
  - "Value range = 2-byte brightness value"

Object no.	Function	Name	Type	DPT	Flag
153, 165, ..., 213	Colour temperature value transmitter	Button/rocker <i>n</i> - output	2 bytes	7,600	C, -, -, T, -

2-byte object for transmitting colour temperature values from 1000 to 10000 Kelvin.

- i** These objects are only visible when:
- "Function = 2 byte" and
  - "Value range = 2-byte colour temperature value"

Object no.	Function	Name	Type	DPT	Flag
153, 165, ..., 213	Colour value transmitter RGB	Button/rocker <i>n</i> - output	3 bytes	232,600	C, -, -, T, -

3-byte object for transmitting the colour information red, green and blue in one communication object.

- i** These objects are only visible when:
- "Function = 3-byte",
  - "Value range = 3-byte colour value RGB/HSV",
  - "Colour space = RGB" and
  - "Communication = Combi object"

Object no.	Function	Name	Type	DPT	Flag
153, 165, ..., 213	Colour value transmitter RGBW	Button/rocker <i>n</i> - output	6 bytes	251,600	C, -, -, T, -

6-byte object for sending the colour information red, green, blue and white in one communication object.

- i** These objects are only visible when:
- "Function = 6-byte",
  - "Value range = 6-byte colour value RGBW/HSVW",
  - "Colour space = RGBW" and
  - "Communication = Combi object"

Object no.	Function	Name	Type	DPT	Flag
154, 166, ..., 214	Colour value transmitter Red	Button/rocker <i>n</i> - output	1 byte	5.001	C, -, -, T, -

1-byte object for transmitting the red colour value from 0 to 100 per cent.

- i** These objects are only visible when:
- "Function = 3-byte or 6-byte",
  - "Value range = 3-byte colour value RGB/HSV or 6-byte colour value RGBW/HSVW",
  - "Colour space = RGB or RGBW" and
  - "Communication = Individual objects"



Object no.	Function	Name	Type	DPT	Flag
155, 167, ..., 215	Colour value transmitter Green	Button/rocker <i>n</i> - output	1 byte	5.001	C, -, -, T, -

1-byte object for transmitting the green colour value from 0 to 100 per cent.

- i** These objects are only visible when:
- "Function = 3-byte or 6-byte",
  - "Value range = 3-byte colour value RGB/HSV or 6-byte colour value RGBW/HSVW",
  - "Colour space = RGB or RGBW" and
  - "Communication = Individual objects"

Object no.	Function	Name	Type	DPT	Flag
156, 168, ..., 216	Colour value transmitter Blue	Button/rocker <i>n</i> - output	1 byte	5.001	C, -, -, T, -

1-byte object for transmitting the blue colour value from 0 to 100 per cent.

- i** These objects are only visible when:
- "Function = 3-byte or 6-byte",
  - "Value range = 3-byte colour value RGB/HSV or 6-byte colour value RGBW/HSVW",
  - "Colour space = RGB or RGBW" and
  - "Communication = Individual objects"

Object no.	Function	Name	Type	DPT	Flag
157, 168, ..., 217	Colour value transmitter White	Button/rocker <i>n</i> - output	1 byte	5.001	C, -, -, T, -

1-byte object for transmitting the white colour value from 0 to 100 per cent.

- i** These objects are only visible when:
- "Function = 6-byte",
  - "Value range = 6-byte colour value RGBW/HSVW",
  - "Colour space = RGBW" and
  - "Communication = Individual objects"

Object no.	Function	Name	Type	DPT	Flag
154, 166, ..., 214	Colour hue (H)	Button/rocker <i>n</i> - output	1 byte	5.003	C, -, -, T, -

1-byte object for sending the colour hue (H) from 0 ... 360°.

- i** These objects are only visible when:
- "Function = 3-byte or 6-byte",
  - "Value range = 3-byte colour value RGB/HSV or 6-byte colour value RGBW/HSVW" and
  - "Colour space = HSV or HSVW"

Object no.	Function	Name	Type	DPT	Flag
155, 167, ..., 215	Saturation (S)	Button/rocker <i>n</i> - output	1 byte	5.001	C, -, -, T, -

1-byte object for transmitting the saturation (S) from 0 to 100 per cent.

- i** These objects are only visible when:
- "Function = 3-byte or 6-byte",
  - "Value range = 3-byte colour value RGB/HSV or 6-byte colour value RGBW/HSVW" and
  - "Colour space = HSV or HSVW"

Object no.	Function	Name	Type	DPT	Flag
156, 168, ..., 216	Brightness (V)	Button/rocker <i>n</i> - output	1 byte	5.001	C, -, -, T, -

1-byte object for transmitting the brightness (V) from 0 to 100 per cent.

- i** These objects are only visible when:
- "Function = 3-byte or 6-byte",
  - "Value range = 3-byte colour value RGB/HSV or 6-byte colour value RGBW/HSVW" and
  - "Colour space = HSV or HSVW"

Object no.	Function	Name	Type	DPT	Flag
157, 169, ..., 217	White level (W)	Button/rocker <i>n</i> - output	1 byte	5.001	C, -, -, T, -

1-byte object for transmitting the white value (W) from 0 to 100 per cent.

- i** These objects are only visible when:
- "Function = 6-byte",
  - "Value range = 6-byte colour value RGBW/HSVW" and
  - "Colour space = HSVW"

Object no.	Function	Name	Type	DPT	Flag
153, 165, ..., 213	Colour temperature value transmitter + brightness	Button/rocker <i>n</i> - output	6 bytes	249,60 0	C, -, -, T, -
<p>6-byte object for sending the time window, colour temperature and brightness.</p> <p><b>i</b> These objects are only visible when:</p> <ul style="list-style-type: none"><li>- "Function = 6 byte" and</li><li>- "Value range = 6-byte colour temperature value + brightness".</li></ul>					

## 12.6 Scene extension

For each rocker or button with the function set to "scene extension unit", the ETS indicates the "Function" parameter which distinguishes between the following settings:

- "Scene extension without storage function",
- "Scene extension with storage function",
- "Recall internal scene without storage function"
- "Recall internal scene with storage function".

In the scene extension function, the push-button sensor transmits a preset scene number (1...64) via a separate communication object to the bus after a button-press. This feature permits recalling scenes stored in other devices and also storing them, if the storage function is used.

The recall of an internal scene does not result in a telegram being transmitted to the bus. This is why the corresponding communication object is not displayed. This function can rather be used to recall – and with the storage function also to store – the up to 8 scenes stored internally in the push button sensor.

In the setting "... without storage function", a button-press triggers the simple recall of a scene. A long button-press has no further or additional effect.

In the setting "... with storage function", the push-button sensor monitors the length of the actuation. A button actuation of less than a second results in a simple recall of the scene as mentioned above.

After a button actuation of more than five seconds, the push-button sensor generates a storage instruction. In the scene extension function, a storage telegram is in this case transmitted to the bus. If configured for the recall of an internal scene, the sensor will store the internal scene. The internal scene control module will then request the current scene values for the actuator groups used from the bus.

- i** An operation lasting between one and five seconds will be discarded as invalid.

### 12.6.1 Table of parameters

The following parameters are available for the individual buttons or for the left and right sides of the rockers, depending on the set operating concept. The default settings change in accordance with the set operating concept.

<b>Function</b>	<b>Scene extension without storage function</b> Scene extension with storage function Recall of internal scene extension without storage function Recall of internal scene with storage function
This parameter defines the functionality of the scene extension. If the push-button sensor is used as a scene extension, the scenes can either be stored in one or in several other KNX devices (e.g. light scene push button sensor). During a scene recall or in a storage function, the push-button sensor transmits a telegram with the respective scene number via the extension object of the button. During the recall of an internal scene, a scene stored internally in the push-button sensor is recalled or stored again. In this case, the sensor transmits no telegram to the bus via a scene extension object. For this setting, the internal scene function must be enabled.	
<b>Scene number (1 ... 64)</b>	<b>1...64</b>
In accordance with the KNX standard, objects with data type 18.001 "Scene Control" can retrieve or store up to 64 scenes by their numbers. The parameter defines the scene number to be transmitted when the button is pressed.	
<b>Scene number (1 ... 8)</b>	<b>1...8</b>
This parameter defines the number of the internal scene which is recalled or stored when a button is pressed.	

### 12.6.2 Object list

The following communication objects are available for the individual buttons or rockers, depending on the set operating concept. The object name corresponds to the selection for the operating concept (button or rocker). The name of the object can be specified by the parameter "Name of ...".

Object no.	Function	Name	Type	DPT	Flag
274, 277, ..., 289	Scene extension	Button/rocker <i>n</i> - output	1 byte	18.001	C, -, -, T, -
1-byte object for recalling or for storing one of 64 scenes max. from a scene push button sensor. This object is only visible if the scene extension function is set to "scene extension without storage function" or "scene extension with storage function".					

## 12.7 2-channel operation

The "2-channel operation" function allows two function channels to be operated with a single press of a button. In some situations it is desirable to control two different functions with a single press of a button and to transmit different telegrams.

For both channels, the parameters "Function channel 1" and "Function channel 2" can be used to determine the communication object types to be used.

The following functions are available:

- 1-bit switching
- Value transmitter 1 byte (0...255)
- Value transmitter 1 byte (0...100%)
- Value transmitter 1 byte (-128...127)
- Value transmitter 1 byte (0...255%)
- Value transmitter 2 byte (0...65535)
- Value transmitter 2 byte (-32768...32767)
- Value transmitter 2-byte temperature value
- Value transmitter 2-byte brightness value
- Value transmitter 2 byte colour temperature value
- Value transmitter 3 byte colour value RGB/HSV
- Value transmitter 6 byte colour value RGBW/HSVW
- Value transmitter 6 byte colour temperature value + brightness
- Recalling scene (external)

The object value that the device is to transmit on a button actuation can be selected depending on the selected function.

The "1 bit switching" type permits selecting whether an ON or an OFF telegram is to be transmitted or whether the object value is to be switched over (TOGGLE) and transmitted on the press of a button.

With parameterization as a value transmitter ("1 byte ..." or "2 byte ...") the object value can be selected within the value range.

With parameterization as a value transmitter ("3 byte ...") the RGB or HSV object values can be set via a colour picker.

With parameterization as a value transmitter (6-byte colour value ...) the RGB or HSV object values can be set via a colour picker. The object value W is parameterised using a separate slider.

When parameterising as a value transmitter (6-byte colour temperature value + brightness"), the object values colour temperature and brightness as well as a time window can be set.

"Recalling scene (...)" can be used to set the scene number to be transmitted to the bus when a button is pressed.

- i** Unlike in the other rocker and button functions, the application program assigns the "Telegram acknowledge" function instead of the "Button-press display" function to the status LED. In this mode, the status LED lights up for approx. 250 ms with each telegram transmitted.

**Operation concept channel 1 or channel 2**

In this operation concept, exactly one telegram will be transmitted on each press of a button.

- A brief press causes the device to transmit the telegram channel 1.
- A long press causes the device to transmit the telegram for channel 2.

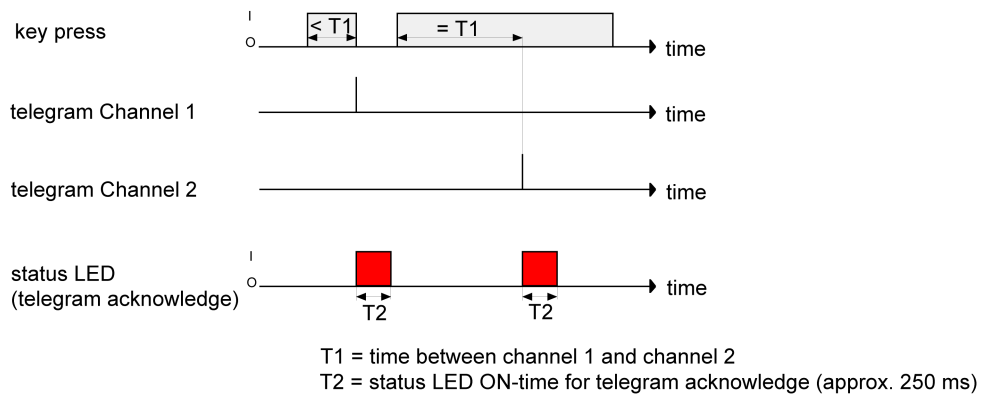


Image 26: Example of operation concept "Channel 1 or Channel 2"

The time required for distinguishing between a short and a long operation is defined by the parameter "Time between channel 1 and channel 2". If the button is pressed for less than the configured time, only the telegram to channel 1 is transmitted. If the length of the button-press exceeds the time between channel 1 and channel 2, only the telegram to channel 2 will be transmitted. This concept provides the transmission of only one channel. To indicate that a telegram has been transmitted, the status LED lights up for approx. 250 ms in the "Telegram acknowledge" setting. In this operation concept, the push-button sensor will not transmit a telegram immediately after the rocker has been depressed.

**Operation concept channel 1 and channel 2**

With this operation concept, one or alternatively two telegrams can be transmitted on each button-press.

- A brief press causes the device to transmit the telegram channel 1.
- A long press causes the device to transmit first the telegram for channel 1 and then the telegram for channel 2.

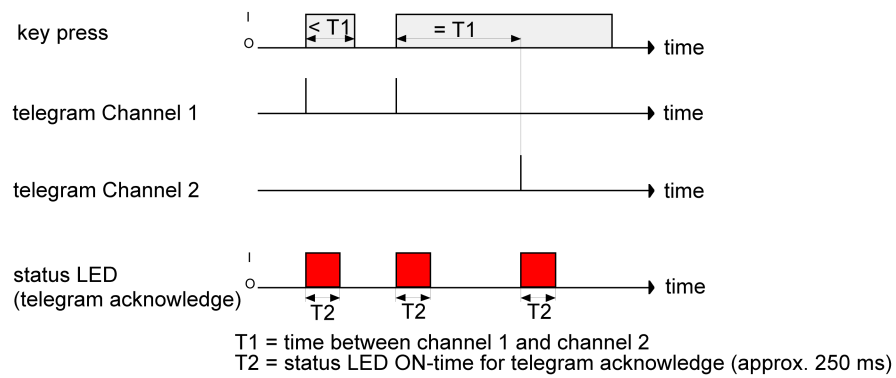


Image 27: Example for operation concept "Channel 1 and channel 2"

The time required for distinguishing between a short and a long operation is defined by the parameter "Time between channel 1 and channel 2". In this operation concept, a button-press sends this telegram is immediately to channel 1. If the button is held depressed for the configured time, the telegram for the second channel is transmitted as well. If the button is released before the time has elapsed, no further telegram will be transmitted. This operation concept, too, offers the configurable possibility of having the transmission of a telegram signalled by the status LED (setting "Telegram acknowledge").



### 12.7.1 Table of parameters

The following parameters are available for the individual buttons, depending on the set operating concept. The default settings change in accordance with the set operating concept.

Operation concept	<b>Channel 1 or channel 2</b> Channel 1 and channel 2
<p>This is where the 2-channel operation concept is defined.</p> <p>If the setting "channel 1 or channel 2" is selected, the device decides dependent on the button-press duration, which of the channels will be used.</p> <p>If the setting "channel 1 and channel 2" is selected, the device transmits only the telegram of channel 1 on a short button-press and both telegrams on a sustained button-press.</p>	
Function channel 1 (Function channel 2)	No function 1-bit switching 1 byte (0...255) 1 byte (0...100%) 1 byte (-128...127) 1 byte (0...255%) 2 byte (0...65535) 2 byte (-32768...32767) 2 byte temperature value 2 byte brightness value 2 bytes colour temperature value 3 bytes colour value RGB/HSV 6 bytes colour value RGBW/HSVW 6 bytes colour temperature value + brightness Recalling scene (external)
<p>This parameter defines the channel function and specifies which other parameters and which communication objects are to be displayed for channel 1 or channel 2 respectively.</p>	
Colour space	<b>RGB</b> HSV
<p>This parameter defines the colour space of the function. With RGB, communication can take place via individual objects or via a combination object. With HSV, communication takes place via individual objects.</p> <p>Visible only if "Function channel 1 (2) = 3-byte colour value RGB/HSV".</p>	

Communication	Single object Kombi object
When the colour space is set to RGB, communication via the bus can take place either via individual objects (red, green, blue) or via a combination object (RGB). Visible only if "Function channel 1 (2) = 3-byte colour value RGB/HSV".	
Colour space	RGBW HSVW
This parameter defines the colour space of the function. With RGBW, communication can take place via individual objects or via a combination object. With HSVW, communication takes place via individual objects. Visible only if "Function channel 1 (2) = 6-byte colour value RGBW/HSVW".	
Communication	Single object Kombi object
When the colour space is set to RGBW, communication via the bus can take place either via individual objects (red, green, blue, white) or via a combination object (RGBW). Visible only if "Function channel 1 (2) = 6-byte colour value RGBW/HSVW".	
Time between channel 1 and channel 2	0...3...25 s   0...990 ms
Depending on the selected operation concept, this parameter defines the interval at which the device transmits the telegram for channel 1 and the telegram for channel 2. A time from 100 ms to 25.5 s can be set.	
Command for channel 1 (2)	ON OFF TOGGLE
This parameter defines the object value transmitted to the bus when the button is pressed. Visible only if "Function channel 1 (2) = 1 bit switching".	
Value (0...255) for channel 1 (2)	0...255
This parameter defines the object value transmitted to the bus when the button is pressed. Visible only if "Function channel 1 (2) = 1-byte (0...255)".	
Value (0...100%) for channel 1 (2)	0...100
This parameter defines the object value transmitted to the bus when the button is pressed. Visible only if "Function channel 1 (2) = 1-byte (0...100%)".	
Value (-128...127) for channel 1 (2)	-128...0...127
This parameter defines the object value transmitted to the bus when the button is pressed. Visible only if "Function channel 1 (2) = 1-byte (-128...127)".	

Value (0...255%) for channel 1 (2)	0...255
This parameter defines the object value transmitted to the bus when the button is pressed. Visible only if "Function channel 1 (2) = 1-byte (0...255%)".	
Value (0...65535) for channel 1 (2)	0...65535
This parameter defines the object value transmitted to the bus when the button is pressed. Visible only if "Function channel 1 (2) = 2-byte (0...65535)".	
Value (-32768...32767) for channel 1 (2)	-32768...0...32767
This parameter defines the object value transmitted to the bus when the button is pressed. Visible only if "Function channel 1 (2) = 2-byte (-32768...32767)".	
Temperature value (0...40 °C) for channel 1 (2)	0...20...40
This parameter defines the object value transmitted to the bus when the button is pressed. Visible only if "Function channel 1 (2) = 2-byte temperature value".	
Brightness value (0, 50, ..., 1500 lux) for channel 1 (2)	0...300...1500
This parameter defines the object value transmitted to the bus when the button is pressed. Visible only if "Function channel 1 (2) = 2-byte brightness value".	
Value (1000, 1100, ..., 10000) for channel 1 (2)	1000, 1100, ...2700, ..., 10000
This parameter determines the colour temperature of the object value when the button is pressed. It is only visible with "Function channel 1 (2) = 2 byte colour temperature value".	

Value (RGB/HSV) for channel 1 (2)	#000000 ... #FFFFFF
<p>This parameter determines the object values of the following output objects when the button is pressed:</p> <ul style="list-style-type: none"> <li>- "Channel <i>n</i> colour value transmitter red", "Channel <i>n</i> colour value transmitter green", "Channel <i>n</i> colour value transmitter blue" or</li> <li>- "Channel <i>n</i> colour value transmitter RGB", "Channel <i>n</i> colour value transmitter RGBW"</li> </ul> <p>or</p> <ul style="list-style-type: none"> <li>- "Channel <i>n</i> colour hue (H)", "Channel <i>n</i> saturation (S)", "Channel <i>n</i> brightness (V)"</li> </ul> <p>The parameter is only visible with "Function channel 1 (2) = 3 byte colour value RGB/HSV or 6 byte colour value RGBW/HSVW".</p> <p>The value (RGB/HSV) is configured by means of a colour picker.</p> <p>With the "6-byte colour value RGBW / HSVW" function, the W-value is configured using a separate slider.</p>	

Value (W) for channel 1 (2)	0 ... 255
<p>This parameter determines the object values of the following output objects when the button is pressed:</p> <ul style="list-style-type: none"> <li>- "Channel <i>n</i> colour value transmitter white" or</li> <li>- "Channel <i>n</i> colour value transmitter RGBW"</li> </ul> <p>The parameter is only visible with "Function channel 1 (2) = 2-byte colour temperature value".</p>	

Value (W) for channel 1 (2)	0 ... 100 %
<p>This parameter determines the object values of the following output objects when the button is pressed:</p> <ul style="list-style-type: none"> <li>- "Channel <i>n</i> white value (W)"</li> </ul> <p>The parameter is only visible with "Function channel 1 (2) = 2-byte colour temperature value".</p>	

Colour temperature	1000, 1100, ..., 2700, ..., 10000
<p>This parameter determines the colour temperature of the object value when the button is pressed.</p> <p>The parameter is only visible with "Function channel 1 (2) = 6-byte colour temperature value + brightness".</p>	

Brightness	0 ... 100 %
<p>This parameter determines the brightness of the object value when the button is pressed.</p> <p>The parameter is only visible with "Function channel 1 (2) = 6-byte colour temperature value + brightness".</p>	

Time frame	0 ... 100 min   0 ... 1 ... 59 s   0 ... 900 ms
<p>This parameter determines the time period in which the actuator adjusts the colour temperature and brightness after the button has been pressed.</p> <p>The parameter is only visible with "Function channel 1 (2) = 6-byte colour temperature value + brightness".</p>	
Scene number (1...64) for channel 1 (2)	1...64
<p>This parameter defines the object value transmitted to the bus when the button is pressed.</p> <p>It is only visible if "Function channel 1 (2) = Recalling scene (external)".</p>	

## 12.7.2 Object list

The following communication objects are available for the individual buttons or rockers, depending on the set operating concept. The name of the object corresponds to the selection of the operating concept and can be specified by the parameter "Name of ...".

Object no.	Function	Name	Type	DPT	Flag
303, 316, ..., 368	Channel 1 switching	Button/rocker <i>n</i> - output	1-bit	1.001	C, -, W, T, U
1-bit object for transmitting switching telegrams on channel 1 if 2-channel operation is activated.					

Object no.	Function	Name	Type	DPT	Flag
304, 317, ..., 369	Channel 2 switching	Button/rocker <i>n</i> - output	1-bit	1.001	C, -, W, T, U
1-bit object for transmitting switching telegrams on channel 2 if 2-channel operation is activated.					

Object no.	Function	Name	Type	DPT	Flag
303, 316, ..., 368	Channel 1 value 0...255	Button/rocker <i>n</i> - output	1 byte	5.010	C, -, -, T, -
1-byte object for transmitting value telegrams on channel 1 if 2-channel operation is activated.					

Object no.	Function	Name	Type	DPT	Flag
304, 317, ..., 369	Channel 2 value 0...255	Button/rocker <i>n</i> - output	1 byte	5.010	C, -, -, T, -
1-byte object for transmitting value telegrams on channel 2 if 2-channel operation is activated.					

Object no.	Function	Name	Type	DPT	Flag
303, 316, ..., 368	Channel 1 value 0...100 %	Button/rocker <i>n</i> - output	1 byte	5.001	C, -, -, T, -
1-byte object for transmitting value telegrams on channel 1 if 2-channel operation is activated.					

Object no.	Function	Name	Type	DPT	Flag
304, 317, ..., 369	Channel 2 value 0...100 %	Button/rocker <i>n</i> - output	1 byte	5.001	C, -, -, T, -
1-byte object for transmitting value telegrams on channel 2 if 2-channel operation is activated.					

Object no.	Function	Name	Type	DPT	Flag
303, 316, ..., 368	Channel 1 value -128...127	Button/rocker <i>n</i> - output	1 byte	6.010	C, -, -, T, -
1-byte object for transmitting value telegrams on channel 1 if 2-channel operation is activated.					

Object no.	Function	Name	Type	DPT	Flag
304, 317, ..., 369	Channel 2 value -128...127	Button/rocker <i>n</i> - output	1 byte	6.010	C, -, -, T, -
1-byte object for transmitting value telegrams on channel 2 if 2-channel operation is activated.					

Object no.	Function	Name	Type	DPT	Flag
303, 316, ..., 368	Channel 1 value 0...255 %	Button/rocker <i>n</i> - output	1 byte	5.004	C, -, -, T, -
1-byte object for transmitting value telegrams on channel 1 if 2-channel operation is activated.					

Object no.	Function	Name	Type	DPT	Flag
304, 317, ..., 369	Channel 2 value 0...255 %	Button/rocker <i>n</i> - output	1 byte	5.004	C, -, -, T, -
1-byte object for transmitting value telegrams on channel 2 if 2-channel operation is activated.					

Object no.	Function	Name	Type	DPT	Flag
303, 316, ..., 368	Channel 1 value 0...65535	Button/rocker <i>n</i> - output	2 bytes	7.001	C, -, -, T, -
2-byte object for transmitting value telegrams on channel 1 if 2-channel operation is activated.					

Object no.	Function	Name	Type	DPT	Flag
304, 317, ..., 369	Channel 2 value 0...65535	Button/rocker <i>n</i> - output	2 bytes	7.001	C, -, -, T, -
2-byte object for transmitting value telegrams on channel 2 if 2-channel operation is activated.					

Object no.	Function	Name	Type	DPT	Flag
303, 316, ..., 368	Channel 1 value -32768...32767	Button/rocker <i>n</i> - output	2 bytes	8.001	C, -, -, T, -
2-byte object for transmitting value telegrams on channel 1 if 2-channel operation is activated.					

Object no.	Function	Name	Type	DPT	Flag
304, 317, ..., 369	Channel 2 value -32768...32767	Button/rocker <i>n</i> - output	2 bytes	8.001	C, -, -, T, -
2-byte object for transmitting value telegrams on channel 2 if 2-channel operation is activated.					

Object no.	Function	Name	Type	DPT	Flag
303, 316, ..., 368	Channel 1 temperat- ure value	Button/rocker <i>n</i> - output	2 bytes	9.001	C, -, -, T, -
2-byte object for transmitting temperature values on channel 1 if 2-channel operation is activated.					

Object no.	Function	Name	Type	DPT	Flag
304, 317, ..., 369	Channel 2 temperat- ure value	Button/rocker <i>n</i> - output	2 bytes	9.001	C, -, -, T, -
2-byte object for transmitting temperature values on channel 2 if 2-channel operation is activated.					

Object no.	Function	Name	Type	DPT	Flag
303, 316, ..., 368	Channel 1 bright- ness value	Button/rocker <i>n</i> - output	2 bytes	9.004	C, -, -, T, -
2-byte object for transmitting brightness values on channel 1 if 2-channel operation is activated.					

Object no.	Function	Name	Type	DPT	Flag
304, 317, ..., 369	Channel 2 bright- ness value	Button/rocker <i>n</i> - output	2 bytes	9.004	C, -, -, T, -
2-byte object for transmitting brightness values on channel 2 if 2-channel operation is activated.					

Object no.	Function	Name	Type	DPT	Flag
303, 316, ..., 368	Channel 1 colour value transmitter	Button/rocker <i>n</i> - output	2 bytes	7,600	C, -, -, T, -
2-byte object for transmitting colour temperature values from 1000 to 10000 Kelvin on channel 1 if 2-channel operation is activated.					

Object no.	Function	Name	Type	DPT	Flag
304, 317, ..., 369	Channel 2 colour value transmitter	Button/rocker <i>n</i> - output	2 bytes	7,600	C, -, -, T, -
2-byte object for transmitting colour temperature values from 1000 to 10000 Kelvin on channel 2 if 2-channel operation is activated.					



Object no.	Function	Name	Type	DPT	Flag
303, 316, ..., 368	Channel 1 colour value transmitter RGB	Button/rocker <i>n</i> - output	3 bytes	232,600	C, -, -, T, -

3-byte object for transmitting the colour information red, green and blue in a communication object on channel 1 if 2-channel operation is activated.

Object no.	Function	Name	Type	DPT	Flag
304, 317, ..., 369	Channel 2 colour value transmitter RGB	Button/rocker <i>n</i> - output	3 bytes	232,600	C, -, -, T, -

3-byte object for transmitting the colour information red, green and blue in a communication object on channel 2 if 2-channel operation is activated.

Object no.	Function	Name	Type	DPT	Flag
303, 316, ..., 368	Channel 1 colour value transmitter RGBW	Button/rocker <i>n</i> - output	6 bytes	251,600	C, -, -, T, -

6-byte object for transmitting the colour information red, green, blue and white in a communication object on channel 1 if 2-channel operation is activated.

Object no.	Function	Name	Type	DPT	Flag
304, 317, ..., 369	Channel 2 colour value transmitter RGBW	Button/rocker <i>n</i> - output	6 bytes	251,600	C, -, -, T, -

6-byte object for transmitting the colour information red, green, blue and white in a communication object on channel 2 if 2-channel operation is activated.

Object no.	Function	Name	Type	DPT	Flag
305, 318, ..., 370	Channel 1 colour value transmitter Red	Button/rocker <i>n</i> - output	1 byte	5.001	C, -, -, T, -

1-byte object for transmitting the colour value red from 0 to 100 per cent on channel 1 if 2-channel operation is activated.

Object no.	Function	Name	Type	DPT	Flag
309, 322, ..., 374	Channel 2 colour value transmitter Red	Button/rocker <i>n</i> - output	1 byte	5.001	C, -, -, T, -

1-byte object for transmitting the colour value red from 0 to 100 per cent on channel 2 if 2-channel operation is activated.

Object no.	Function	Name	Type	DPT	Flag
306, 319, ..., 371	Channel 1 colour value transmitter Green	Button/rocker <i>n</i> - output	1 byte	5.001	C, -, -, T, -

1-byte object for transmitting the colour value green from 0 to 100 per cent on channel 1 if 2-channel operation is activated.

Object no.	Function	Name	Type	DPT	Flag
310, 323, ..., 375	Channel 2 colour value transmitter Green	Button/rocker <i>n</i> - output	1 byte	5.001	C, -, -, T, -

1-byte object for transmitting the colour value green from 0 to 100 per cent on channel 2 if 2-channel operation is activated.

Object no.	Function	Name	Type	DPT	Flag
307, 320, ..., 372	Channel 1 colour value transmitter Blue	Button/rocker <i>n</i> - output	1 byte	5.001	C, -, -, T, -

1-byte object for transmitting the colour value blue from 0 to 100 per cent on channel 1 if 2-channel operation is activated.

Object no.	Function	Name	Type	DPT	Flag
311, 324, ..., 376	Channel 2 colour value transmitter Blue	Button/rocker <i>n</i> - output	1 byte	5.001	C, -, -, T, -

1-byte object for transmitting the colour value blue from 0 to 100 per cent on channel 2 if 2-channel operation is activated.

Object no.	Function	Name	Type	DPT	Flag
308, 321, ..., 373	Channel 1 colour value transmitter white	Button/rocker <i>n</i> - output	1 byte	5.001	C, -, -, T, -

1-byte object for transmitting the colour value white from 0 to 100 per cent on channel 1 if 2-channel operation is activated.

Object no.	Function	Name	Type	DPT	Flag
312, 325, ..., 377	Channel 2 colour value transmitter white	Button/rocker <i>n</i> - output	1 byte	5.001	C, -, -, T, -

1-byte object for transmitting the colour value white from 0 to 100 per cent on channel 2 if 2-channel operation is activated.

Object no.	Function	Name	Type	DPT	Flag
305, 318, ..., 370	Channel 1 colour hue (H)	Button/rocker <i>n</i> - output	1 byte	5.003	C, -, -, T, -

1-byte object for sending the colour hue (H) from 0 ... 360° on channel 1 if 2-channel operation is activated.

Object no.	Function	Name	Type	DPT	Flag
309, 322, ..., 374	Channel 2 colour hue (H)	Button/rocker <i>n</i> - output	1 byte	5.003	C, -, -, T, -
1-byte object for sending the colour hue (H) from 0 ... 360° on channel 2 if 2-channel operation is activated.					

Object no.	Function	Name	Type	DPT	Flag
306, 319, ..., 371	Channel 1 saturation (S)	Button/rocker <i>n</i> - output	1 byte	5.001	C, -, -, T, -
1-byte object for transmitting the saturation (S) from 0 to 100 per cent on channel 1 if 2-channel operation is activated.					

Object no.	Function	Name	Type	DPT	Flag
310, 323, ..., 375	Channel 2 saturation (S)	Button/rocker <i>n</i> - output	1 byte	5.001	C, -, -, T, -
1-byte object for transmitting the saturation (S) from 0 to 100 per cent on channel 2 if 2-channel operation is activated.					

Object no.	Function	Name	Type	DPT	Flag
307, 320, ..., 372	Channel 1 brightness (V)	Button/rocker <i>n</i> - output	1 byte	5.001	C, -, -, T, -
1-byte object for transmitting the brightness value (V) from 0 to 100 per cent on channel 1 if 2-channel operation is activated.					

Object no.	Function	Name	Type	DPT	Flag
311, 324, ..., 376	Channel 2 brightness (V)	Button/rocker <i>n</i> - output	1 byte	5.001	C, -, -, T, -
1-byte object for transmitting the brightness value (V) from 0 to 100 per cent on channel 2 if 2-channel operation is activated.					

Object no.	Function	Name	Type	DPT	Flag
308, 321, ..., 373	Channel 1 white level (W)	Button/rocker <i>n</i> - output	1 byte	5.001	C, -, -, T, -
1-byte object for transmitting the white value (W) from 0 to 100 per cent on channel 1 if 2-channel operation is activated.					

Object no.	Function	Name	Type	DPT	Flag
312, 325, ..., 377	Channel 2 white level (W)	Button/rocker <i>n</i> - output	1 byte	5.001	C, -, -, T, -
1-byte object for transmitting the white value (W) from 0 to 100 per cent on channel 2 if 2-channel operation is activated.					

Object no.	Function	Name	Type	DPT	Flag
303, 316, ..., 368	Channel 1 colour value transmitter + brightness	Button/rocker <i>n</i> - output	6 bytes	249,600	C, -, -, T, -

6-byte object for transmitting the time window, colour temperature and brightness on channel 1 if 2-channel operation is activated.

Object no.	Function	Name	Type	DPT	Flag
304, 317, ..., 369	Channel 2 colour value transmitter + brightness	Button/rocker <i>n</i> - output	6 bytes	249,600	C, -, -, T, -

6-byte object for transmitting the time window, colour temperature and brightness on channel 2 if 2-channel operation is activated.

Object no.	Function	Name	Type	DPT	Flag
303, 316, ..., 368	Channel 1 scene (external) 1...64	Button/rocker <i>n</i> - output	1 byte	18.001	C, -, -, T, -

1-byte object for transmitting scene values on channel 1 if 2-channel operation is activated.

Object no.	Function	Name	Type	DPT	Flag
304, 317, ..., 369	Channel 2 scene (external) 1...64	Button/rocker <i>n</i> - output	1 byte	18.001	C, -, -, T, -

1-byte object for transmitting scene values on channel 2 if 2-channel operation is activated.

## 12.8 Controller extension

The "controller extension" button or rocker function can be used to control a KNX room temperature controller.

The controller extension itself is not involved in the regulating process. With it, the user can operate the single-room regulation from different places in the room. It can also be used to adjust central heating control devices which are located, for instance, in a sub-distribution unit.

Typical KNX room temperature controllers generally offer different ways of influencing the room temperature control:

- Operating mode switch:  
Switching over between different modes of operation (e.g. "Comfort", "Night" ...) with different setpoint temperatures assigned to each mode by the controller.
- Presence status:  
Signalling the presence of a person in a room. The signalling may also be combined with a configured switchover in the mode of operation.
- Setpoint shift:  
Adjustment of the setpoint temperature via a temperature offset (DPT 9.002) or via levels (DPT 6.010).

The controller extension is operated using the push button functions of the device. In this way, it is possible to completely control a room temperature controller by changing the operating mode, by predefining the presence function or by readjusting the setpoint shift.

In addition, the push-button sensor can – independent of the controller extension function – indicate the state of one or more room temperature controllers with the status LEDs of the rockers or buttons. This feature permits the indication of operating modes or the bit-oriented evaluation of different status objects of controllers. In case of the controller extension functions "Setpoint shift" or "Presence function", the status LEDs can also signal the state of the corresponding functions directly.

### 12.8.1 Operating mode switchover

Switchover of the controller operating mode can be effected in accordance with the standard function block for room temperature controllers defined in the KNX handbook using two 1-byte communication objects. The operating mode can be switched over with the normal and with the forced objects. The "Operating mode switchover" object offers a selection between the following modes:

- Comfort mode
- Standby mode
- Night mode
- Frost/heat protection mode

The "Forced object operating mode" communication object has a higher priority. It permits forced switching between the following modes of operation:

- Auto (normal operating mode switchover)
- Comfort mode
- Standby mode
- Night mode
- Frost/heat protection mode

The operating mode transmitted to the bus on a button press of the controller extension is defined by the parameter "Operating mode on pressing". Depending on the parameterized operating concept, either a button press activates one of the above modes (with the "rocker function" and "button function" operating concepts), or each button press toggles between two or three modes (only with the "rocker function" operating concept).



Notes on multiple selection:

In order to ensure that a change-over from one operating mode to another works properly even from different locations, the operating mode objects of the controller and those of all controller extensions must be interlinked and have their "Write" flag set. In the objects concerned, this flag is set by default. By checking the linked operating mode switchover feedback object, the controller extension knows which of the possible operating modes is active. Based on this information, the device switches over into the next operating mode in sequence when a button is actuated. In the event that none of the possible operating modes is active, the next operating mode in the sequence is activated. As far as switching over between the forced operating modes and "Auto" is concerned, the device switches into the "Auto" operating mode when none of the configured operating modes is active.



If a status LED is to indicate the current operating mode, the status LED function must be programmed for "Operating mode indication" and its status object be linked with the corresponding group address for operating mode change-over with normal or high priority.

## 12.8.2 Presence function

All operating areas with a function set to "Presence function" have the two communication objects "Presence function" and "Presence function feedback". The parameter "Presence function on pressing" defines the object value transmitted to the bus on actuating a button.

In order to ensure that the object value transmitted in the "Presence TOGGLE" setting is always the correct one, the presence object of the room temperature controller and the feedback objects of the controller extensions must be interlinked and have their "Write" flag set. In the extension objects concerned, this flag is set by default.

The status LED of a presence function button can directly indicate the presence status (setting "Presence status indicator").

### 12.8.3 Setpoint shift

The setpoint shift is another available function of the controller extension. It makes use of either two 2-byte communication objects with datapoint type 9.002 or two 1-byte communication objects with datapoint type 6.010 (integer with sign).

This extension function allows shifting of the basic setpoint for the temperature on a room temperature controller by pressing a button. Operation of the extension is generally the same as the operation of the main controller. A button configured as a setpoint shifting button reduces or increases the setpoint shift value on each press by one step respectively. The direction of the value adjustment is defined by the parameters "Temperature difference on pressing" or "Setpoint shift on pressing".

The status LED of a setpoint shifting button can directly indicate the setpoint shifting status (setting "Setpoint value shift indicator").

#### Type of setpoint shift

The push-button sensor provides two options for setpoint shifting. Depending on the setting of the parameter "Type of setpoint shift", the shift takes place via the 2-byte communication object "Setpoint shift specification" (acc. to KNX DPT 9.002) or via the 1-byte-communication object "Setpoint shift specification" (acc. to KNX DPT 6.010).

The setting "Via offset (DPT 9.002)" defines the temperature difference in Kelvin by which the setpoint temperature will be shifted up or down when the button is pressed. For a setpoint value shift, the controller extension makes use of the two communication objects "Setpoint shift specification" and "Current setpoint shift". The "Current setpoint shift" communication object informs the extension about the current state of the room temperature controller. Based on this value and the respective parameter, the controller extension determines the new level size which it transmits via the "Setpoint shift specification" communication object to the room temperature controller.

With the "Via levels (DPT 6.010)" setting, only the direction of the setpoint shift on the extension is defined. For a setpoint value shift, the controller extension makes use of the two communication objects "Setpoint shift specification" and "Current setpoint shift". The "Current setpoint shift" communication object informs the extension about the current state of the room temperature controller. Based on this value and the respective parameter, the controller extension determines the new level size which it transmits via the "Setpoint shift specification" communication object to the room temperature controller.

#### Communication with main controller

In order to enable the push-button sensor to effect a setpoint shift in a room temperature controller, the controller must have input and output objects for setpoint shifting. In this case, the output object of the controller must be linked with the input object of the extension device and the input object of the controller must be linked with the output object of the extension via an independent group address.

All objects are of the same datapoint type and have the same value range. A setpoint shift is interpreted by count values: a shift in positive direction is expressed by positive values whereas a shift in negative direction is represented by negative object values. An object value of "0" means that no setpoint shift has been activated.

Via the "Current setpoint shift" object of the controller extensions, which is linked with the room temperature controller, the extensions are enabled to determine the current setpoint shift position. Starting from the value of the communication object, each button-press on an extension will adjust the setpoint in the configured direction. Each time the setpoint is adjusted, the new shift is transmitted to the room temperature controller via the "Controller extension setpoint value specification" object of the controller extension. The controller itself checks the received value for the minimum and maximum temperature limits (see controller documentation) and adjusts the new setpoint shift if the values are valid. When the new count value is accepted as valid, the controller transfers this value to its output object for setpoint shifting and retransmits the value to the extension as feedback.

Due to the standard data point type used as the output and input object of the controller extension, each extension unit is able to determine whether a shift took place, in which direction it took place and by which value (DPT 9.002) or by how many levels (DPT 6.010) the setpoint was shifted.

- i** In "Via levels (DPT 6.010)" function, the weighting of the respective level is done by the controller itself.
- i** This requires that the communication objects are connected on all controller extensions and the controller. The feedback information from the controller enables the extension to continue the adjustment anytime at the right point.



### 12.8.4 Table of parameters

The following parameters are available for the individual buttons or for the left and right sides of the rockers, depending on the set operating concept. The default settings change in accordance with the set operating concept.

Function	<b>Operating mode switchover</b> Forced oper. mode switchover Presence function Setpoint shift
A controller extension can optionally switch over the operating mode with normal or high priority (forced), change the presence state or change the current room temperature setpoint value. With regard to the setting of this parameter, the ETS shows further parameters.	
Operating mode on pressing	<b>Comfort mode</b> Standby mode Night mode Frost/heat protection mode Comfort mode -> Standby mode ->* Comfort mode -> Night mode ->* Standby mode -> Night mode ->* Comfort mode -> Standby mode -> Night mode ->*
<p>If the controller extension is to change over the operating mode of the room temperature controller with normal priority, the extension can – when operated – either switch on a defined operating mode or change over between different operating modes.</p> <p>This parameter is only visible if "Function = operating mode switchover".</p> <p>* Only for operation concept = button function</p> <p>The options "Comfort mode -&gt; Standby mode -&gt;", "Comfort mode -&gt; Night mode -&gt;", "Standby mode -&gt; Night mode -&gt;" and "Comfort mode -&gt; Standby mode -&gt; Night mode -&gt;" are only available if the operating concept is set to button function.</p> <p><b>i</b> Toggling between operating modes (identified by "-&gt;") is only possible if the object value has been received via the "Operating mode switchover feedback" object.</p>	

<p>Forced operating mode on pressing</p>	<p>Auto (Normal operating mode change-over) <b>Comfort mode</b> Standby mode Night mode Frost/heat protection mode Comfort mode -&gt; Standby mode -&gt;* Comfort mode -&gt; Night mode -&gt;* Standby mode -&gt; Night mode -&gt;* Comfort mode -&gt; Standby mode -&gt; Night mode -&gt;* Auto -&gt; Comfort mode -&gt; Auto -&gt; Standby mode -&gt; Auto -&gt; Night mode -&gt; Auto -&gt; Frost/heat protection mode -&gt;</p>
<p>If the controller extension is to change over the operating mode of the room temperature controller with high priority, the extension can – when operated – either enable change-over with normal priority (Auto), switch on a defined operating mode with high priority or change over between different operating modes.</p> <p>This parameter is only visible if "Function = forced operating mode switchover".</p> <p>* Only for operation concept = button function</p> <p>The options "Comfort mode -&gt; Standby mode -&gt;", "Comfort mode -&gt; Night mode -&gt;", "Standby mode -&gt; Night mode -&gt;", "Comfort mode -&gt; Standby mode -&gt; Night mode -&gt;", "Auto -&gt; Comfort mode -&gt;", "Auto -&gt; Standby mode -&gt;", "Auto -&gt; Night mode -&gt;" and "Auto -&gt; Frost/heat protection mode -&gt;" are only available if the operating concept is set to button function.</p> <p><b>i</b> Toggling between forced object operating modes (identified by "-&gt;") is only possible if the object value has been received via the "Forced object operating mode feedback" object.</p>	

<p>Presence function on pressing</p>	<p>Presence OFF Presence ON <b>Presence TOGGLE</b></p>
<p>On pressing a button, the controller extension can switch the presence state of the room temperature controller either on or off in a defined way or change over between both states ("Presence TOGGLE").</p> <p>This parameter is only visible if "Function = presence function".</p>	

Type of setpoint shift	Via offset (DPT 9.002) Via levels (DPT 6.010)
<p>Depending on the setting of the parameter "Type of setpoint shift", the shift takes place via the 2-byte communication object "Setpoint shift specification" (acc. to KNX DPT 9.002) or via the 1-byte-communication object "Setpoint shift specification" (acc. to KNX DPT 6.010).</p> <p>This parameter is only visible if "Function = Setpoint shift".</p>	

Temperature difference on pressing	-2 K -1.5 K -1 K -0.5 K 0.5 K 1 K 1.5 K 2 K
------------------------------------	--

The temperature difference is defined in Kelvin here by which the setpoint temperature will be shifted up or down when the button is pressed.

For a setpoint value shift, the controller extension makes use of the two communication objects "Setpoint shift specification" and "Current setpoint shift".

The "Current setpoint shift" communication object informs the extension about the current state of the room temperature controller. Based on this value and the respective parameter, the controller extension determines the new level size which it transmits via the "Setpoint shift specification" communication object to the room temperature controller.

This parameter is only visible if "Function = Setpoint shift" and "Type of setpoint shift = Via offset".

Setpoint shift on pressing	Reduce setpoint value (level size) <b>Increase setpoint (level size)</b>
----------------------------	---

This parameter defines the direction of the setpoint shift on the extension.

For a setpoint value shift, the controller extension makes use of the two communication objects "Setpoint shift specification" and "Current setpoint shift".

The "Current setpoint shift" communication object informs the extension about the current state of the room temperature controller. Based on this value and the respective parameter, the controller extension determines the new level size which it transmits via the "Setpoint shift specification" communication object to the room temperature controller.

This parameter is only visible if "Function = Setpoint shift" and "Type of setpoint shift = Via levels".

## 12.8.5 Object list

The following communication objects are available for the individual buttons or rockers, depending on the set operating concept. The object name corresponds to the selection for the operating concept (button or rocker). The name of the object can be specified by the parameter "Name of ...".

Object no.	Function	Name	Type	DPT	Flag
434, 441, ..., 469	Operating mode switchover	Button/rocker n - controller extension - output	1 byte	20,102	C, -, -, T, -
1-byte object for changing over a room temperature controller between the Comfort, Standby, Night and Frost/heat protection operating modes. This object is only visible if "Function = operating mode change-over".					

Object no.	Function	Name	Type	DPT	Flag
435, 442, ..., 470	Operating mode switchover feedback	Button/rocker n - controller extension - input	1 byte	20,102	C, -, W, -, U
1-byte object for receiving the operating mode of a room temperature controller. This object is only visible if "Function = operating mode change-over".					

Object no.	Function	Name	Type	DPT	Flag
434, 441, ..., 469	Operating mode forced-control	Button/rocker n - controller extension - output	1 byte	20,102	C, -, -, T, -
1-byte object for changing over a room temperature controller under forced control between the Automatic, Comfort, Standby, Night and Frost / heat protection operating modes This object is only visible if "Function = forced operating mode change-over".					

Object no.	Function	Name	Type	DPT	Flag
435, 442, ..., 470	Forced object operating mode feedback	Button/rocker n - controller extension - input	1 byte	20,102	C, -, W, -, U
1-byte object for receiving the operating mode of a room temperature controller. This object is only visible if "Function = forced operating mode change-over".					

Object no.	Function	Name	Type	DPT	Flag
434, 441, ..., 469	Presence function	Button/rocker n - controller extension - output	1-bit	1,018	C, -, -, T, -
1-bit object for changing over the presence status of a room temperature controller. This object is only visible if "Function = presence function".					

Object no.	Function	Name	Type	DPT	Flag
435, 442, ..., 470	Presence function feedback	Button/rocker n - controller extension - input	1-bit	1,018	C, -, W, -, U

1-bit object for receiving the presence status of a room temperature controller.  
This object is only visible if "Function = presence function".

Object no.	Function	Name	Type	DPT	Flag
434, 441, ..., 469	Preset setpoint shifting	Button/rocker n - controller extension - output	2 bytes	9.002	C, -, -, T, -

2-byte object for presetting a basic setpoint shift in Kelvin. The value "0" means that no shift is active . The values can be specified between -670760 K and 670760 K.  
This object is only visible if "Function = Setpoint shift" and "Type of setpoint shift = Via offset (DPT 9.002)".

Object no.	Function	Name	Type	DPT	Flag
435, 442, ..., 470	Current setpoint shifting	Button/rocker n - controller extension - input	2 bytes	9.002	C, -, W, -, U

2-byte object for receiving the feedback from the current basic setpoint shift in Kelvin.

This object is only visible if "Function = Setpoint shift" and "Type of setpoint shift = Via offset (DPT 9.002)".

Object no.	Function	Name	Type	DPT	Flag
434, 441, ..., 469	Preset setpoint shifting	Button/rocker n - controller extension - output	1 byte	6.010	C, -, -, T, -

1-byte object for presetting a basic setpoint shift. The value "0" means that no shift is active . The value is depicted in a two's complement in the positive or negative direction.

This object is only visible if "Function = Setpoint shift" and "Type of setpoint shift = Via levels (DPT 6.010)".

Object no.	Function	Name	Type	DPT	Flag
435, 442, ..., 470	Current setpoint shifting	Button/rocker n - controller extension - input	1 byte	6.010	C, -, W, -, U

1-byte object for receiving the feedback from the current basic setpoint shift.

This object is only visible if "Function = Setpoint shift" and "Type of setpoint shift = Via levels (DPT 6.010)".

## 12.9 Status LED

A rocker on the push-button sensor is always associated with two status LEDs. Accordingly, each status LED is assigned to a button.

The "Function of status LED" parameter on the "Button  $n$  - status LED" or "Rocker  $n$  - status LED" parameter pages defines the basic functions of this status LED. Depending on the button or rocker function set, the status LED functions that can be selected differ slightly.

- i** The parameter pages for the status LED are arranged downstream of the rocker or button pages and include the respective status LEDs assigned to the rockers or buttons (for buttons only one status LED each / for rockers two status LEDs each).

### Priorities of the status LED

The status LEDs operate according to a defined order of priorities.

Priority	Function
1	Superposed function
2	Basic function (e.g. always ON, status display, ...)
3	LED orientation lighting

- i** Exception: A status LED will also indicate actuation if the status LED is controlled by the superposed function.

## 12.9.1 Basic functions

### "always OFF" or "always ON"

The corresponding status LED is always switched off or always switched on depending on the parameter setting.

### "Button-press display" or "Telegram acknowledgement"

A status LED used as button-press display is switched on by the push-button sensor each time the corresponding rocker or button is pressed. The parameter "ON time of status LEDs as actuation indicators" on the parameter page "General" specifies for how long the LED is switched on in common for all status LEDs. Even if the push-button sensor only transmits a telegram when released, the status LED lights up anyway when the rocker or button is pressed.

With the function "2-channel operation" the option "Button-press display" is replaced by "Telegram acknowledge". In this case the status LED is illuminated when both channels are transmitted for about 250 ms each.

This setting cannot be selected for the rocker/button function "No function".

**i** A status LED will also indicate actuation if the status LED is controlled by the superposed function.

### "Status display", "Inverted status display" and "Control via separate LED object"

In the rocker or button functions "switching" and "dimming", the status LEDs can also be linked internally to the "Switching feedback" object and thus signal the current switching state of the actuator group.

Alternatively each status LED can indicate the state of a separate LED communication object. Here the LED can be switched on or off statically via the 1-bit object value received, or also activated as flashing. If multiple status LEDs are configured to "flashing" and switched on, they will flash synchronously.

Both for the status indication of the LED object and also for the status indication of the switching object it is possible to indicate or evaluate the inverted object value. After a bus reset or after ETS programming, the value of the LED object is always "OFF".

The settings "Status display" and "Inverted status display" can only be selected for the rocker/button functions "Switching" and "Dimming".

### "Operating mode display"

In this configuration the status LED has its own 1-byte communication object. For switching over between different modes of operation, new room temperature controller can make use of two communication objects of the 20.102 "HVAC-Mode" data type. One of these objects can switch over with normal priority between the "Comfort", "Standby", "Night", "Frost/heat protection" operating modes. The second object has a higher priority. It permits switching over between "Automatic", "Comfort", "Standby", "Night", "Frost/heat protection". Automatic means in this case that the object with the lower priority is active.

If a status LED is to indicate the operating mode, the communication object of the status LED must be linked with the matching object of a room temperature controller (e. g. Controller status). The desired operating mode which the LED is to indicate can then be selected with the parameter "Status LED on with". The LED is then lit up when the corresponding operating mode has been activated at the controller. After a bus reset or after ETS programming, the value of the LED object is always "0" (automatic).

### **"Controller status display""Controller status indication"**

The status LED can indicate the controller status in the data formats "KNX-compliant" or "Controller general". According to parameterization, the "Controller status - KNX-compliant" or "Controller status - Controller general" object is proposed. These objects should be connected via group addresses to the communication objects of the main controller with the same functions.

The status objects combine different informations. The "Status LED on with" parameter is used to select what information should be evaluated and displayed via the status LED.

The following can be selected with "KNX-compliant":

- Controller error status ("0" = no error / "1" = error)
- Operating mode ("0" = Cooling / "1" = Heating)
- Controller disabled ("0" = Controller enabled / "1" = Controller disabled)
- Frost alarm ("0" = Frost protection temperature exceeded / "1" = Frost protection temperature undershot)
- Heat alarm ("0" = Heat protection temperature exceeded / "1" = Heat protection temperature undershot)

The following can be selected with "Controller general":

- Comfort mode (Is active if the "Comfort" operating mode or a comfort extension is activated.)
- Standby mode (Is active if the "Standby" operating mode is activated.)
- Night mode (Is active if the "Night" operating mode is activated.)
- Frost/heat protection mode (Is active if the "Frost/heat protection" operating mode is activated.)
- Controller disabled (Is active if controller disable is activated (dew point mode).)
- Heating/cooling (Is active if heating is activated and inactive if cooling is activated. Is usually inactive with controller disabled.)
- Controller inactive (Is active in the "Heating and cooling" operating mode when the measured room temperature lies within the deadband. This status information is as a rule always "0" for the individual operating modes "heating" or "cooling"! Is inactive if controller is disabled.)
- Frost alarm (Is active if the measured room temperature reaches or drops below + 5 °C.)



**"Presence status indication" and "Inverted presence status indication"**

When the presence status is indicated, the LED evaluates the value of the object "Feedback presence function" and switches either on or off, depending on the parameter configuration in the ETS.

This setting can only be selected for the rocker/button functions "Controller extension - Presence function".

**"Setpoint value shift display"**

When a setpoint shift is indicated the LED evaluates the value of the "Current setpoint shift" object and switches either on or off, depending on the parameter configuration in the ETS.

This setting can only be selected for the rocker/button functions "Controller extension - Setpoint shift".

- i** Besides the functions that can be set separately for each status LED, all status LEDs are also used for LED alarm signalling. If this is active, all LEDs of the push button sensor flash simultaneously. After deactivation of the alarm signalling, all LEDs will immediately return to the state corresponding to their configuration and communication objects--- FEHLENDER LINK ---.
- i** Besides the functions that can be set separately for each status LED, all status LEDs are also used for LED orientation lighting. Depending on the configuration, the LED orientation lighting function will be executed with low priority--- FEHLENDER LINK ---.

## 12.9.2 Colour settings

The colour of the status LEDs can be adjusted. The colours red, green and blue can be selected in the ETS. In the colour configuration a distinction is made between whether all of the status LEDs of the push-button sensor have the same colour (common colour setting), or whether alternatively various colours can be configured for each status LED (separate colour setting). The difference is as follows:

- All status LEDs have the same colour.

If common colour setting is desired, then the parameter "Colour selection of all status LEDs" on parameter page "General" must be configured. The status LEDs light up in the configured colour when they are subsequently switched on in normal operation of the push-button sensor in accordance with the basic configuration "Function of the status LED".

The status LEDs may light up in a different colour if they are overridden by the superposed function of if LED orientation lighting is activated.

- The status LEDs have various colours.

If separate colour setting is desired, then the parameter "Colour selection of all status LEDs" on parameter page "General" must be configured to the setting "Colour selection per rocker/button". In this case additional parameters become visible on the parameter pages of the individual status LEDs. The parameters "Colour of the status LED" can then be used individually to define the desired colour for each status LED. The status LED lights up in the configured colour when it is subsequently switched on in normal operation of the push-button sensor in accordance with the basic configuration "Function of the status LED".

### Superposed function

Additionally, a superposed function can be enabled for each status LED. The superposed function allows for a colour change of the status LED during device operation. It is also possible here to change the display function.

- i** A status LED will also indicate actuation if the status LED is controlled by the superposed function.

The superposed function of a status LED is controlled by a separate communication object. The device provides the two following options for controlling the superposed function:

- Control via separate LED object (1 bit)
- Control via separate LED object (1 byte)

Depending on the superposed function selected, the device provides either a 1-bit object or a 1-byte object.

If control via the 1-bit object is selected, the superimposed function is defined in the ETS parameters. You can use the parameters to set whether the superposed function will be switched on or off via a 1-telegram or a 0-telegram, and whether the status LED will statically be switched on or flash with the superposed function switched on. You can additionally set a separate colour for the superposed function

in which the status LED will light up when the superposed function is switched on. When a superposed function is switched off the status LED will be activated according to its basic configuration (regular colour and display function).

If control via the 1-byte object is selected, the superposed function is defined by the bit coding of the 1-byte communication object. No other parameters are available in the in the ETS. The bit coding of the 1-byte communication object "Superposed function" is shown in the table below.

Value of the telegram	Superposed function of the status LED
0 <sub>dec</sub>	Superposed function is deactivated. Status LED has standard colours and display function.
1 <sub>dec</sub>	Lights up red
2 <sub>dec</sub>	Flashes red
3 <sub>dec</sub>	Lights up green
4 <sub>dec</sub>	Flashes green
5 <sub>dec</sub>	Lights up blue
6 <sub>dec</sub>	Flashing blue

- i** The superposed function is initially always inactive after a device reset. The superposed function is only executed when a telegram is received via the corresponding object.
- i** During colour configuration it must be ensured that different colours are configured for the basic display and the superposed function. If this is not done (the colours are the same), then when the display is static it is not possible to determine which display function is being indicated.
- i** During flashing the status LED switches cyclically between the "switched-on" and "switched-off" states. No colour change is performed between the regular colour and the superposed colour.

### 12.9.3 Brightness settings

The brightness of all status LEDs is defined in the ETS. The "Brightness of all status LEDs" parameter on the "General" parameter page can be used to set the regular brightness of all status LEDs in 6 levels (level 0 = OFF, level 1 = dark, ..., level 5 = bright).

Optionally the brightness can be changed during operation of the push-button sensor, controlled by the LED night reductionLED night reduction.

## 12.9.4 Table of parameters

"General" parameter page

Colour selection of all status LEDs	red <b>green</b> blue Colour selection per status LED
<p>The colour of the status LED can be selected here. In the colour configuration a distinction is made between whether all of the status LEDs of the push-button sensor have the same colour or whether alternatively various colours can be configured for the LEDs ("Colour selection per status LED" setting). With colour selection per rocker or button it is possible to set the colour on the parameter pages of the individual status LEDs.</p>	
Brightness of all status LEDs	Level 0 (OFF) Level 1 (dark) Level 2 Level 3 <b>Level 4</b> Level 5 (bright)
<p>The brightness of all status LEDs of the push-button sensor can be defined. The regular illumination brightness of all LEDs can be set here in 6 levels.</p>	
Light period of status LED for button-press indicator	1 s 2 s <b>3 s</b> 4 s 5 s
<p>This parameter defines the switch-on time the status LED is lit up to indicate actuation. The setting concerns all status LEDs whose function is set to "Button-press display".</p>	

The following parameters are available for the individual buttons or for the left and right sides of the rockers, depending on the set operating concept and function. The default settings change in accordance with the set operating concept.

Function of status LED	always OFF always ON <b>Button-press display</b> Telegram acknowledgment Status indication inverted status display Control via separate LED object Operating mode display Controller status indication Presence status indication Inverted presence status indication Setpoint value shift display
<p>always OFF: The status LED is permanently switched off.</p> <p>always ON: The status LED is permanently switched on.</p> <p>button press display: The status LED indicates a button actuation. The ON time is set on the parameter page "General" in common for all status LEDs that are configured as actuation displays.</p> <p>telegram acknowledge: The status LED indicates the transmission of a telegram in 2-channel operation.</p> <p>status display: The status LED indicates the state of the communication object "Switching". If the object value is "ON", the status LED is illuminated. If the object value is "OFF" the status LED is switched off.</p> <p>inverted status display: The status LED indicates the state of the communication object "Switching". If the object value is "OFF", the status LED is illuminated. If the object value is "ON" the status LED is switched off.</p> <p>Control via separate LED object: The status LED indicates the state of its own, separate 1-bit LED object. This setting causes the additional parameter "Control of the status LED via object value" to be shown.</p> <p>Operating mode display: The status LED indicates the state of a KNX room temperature controller via a separate 1-byte communication object. This setting causes the additional parameter "Status LED ON with" to be shown.</p> <p>Controller status display: The status LED indicates the state of the room temperature controller or the controller extension. This setting causes the additional parameter "Status LED ON with" to be shown.</p> <p>Presence status indication: The status LED indicates the status of the "Feedback presence function" feedback object.</p> <p>Inverted presence status indication: The status LED indicates the inverted status of the "Feedback presence function" feedback object.</p> <p>Setpoint value shift display: The status LED indicates the state of a setpoint shift in case of main controller and controller extension operation. This setting causes the additional parameter "Status LED" to be shown.</p>	

The following parameter is exclusively visible with "Function of status LED = Display via separate LED object".

Control of the status LED via object value	<b>1 = LED static ON / 0 = LED static OFF</b> 1 = LED static OFF / 0 = LED static ON 1 = LED flashes / 0 = LED static OFF 1 = LED static OFF / 0 = LED flashes
If the "Function of status LED" is set to "Control via separate LED object", this parameter can be used to specify the telegram polarity of the 1-bit object "Status LED - Input". The status LED can be switched on or off statically. In addition, the received switching telegram can be evaluated in such a way that the LED flashes.	

The following parameter is exclusively visible with "Function of status LED = Operating mode display".

Status LED ON with	Automatic mode Comfort mode <b>Standby mode</b> Night mode Frost/heat protection mode
The values of a communication object with data type 20.102 "HVAC Mode" are defined as follows: 0 = Automatic 1 = Comfort 2 = Standby 3 = Night 4 = Frost/heat protection The value "Automatic" is used only by the "forced operating mode switch-over" objects. The status LED is illuminated when the object receives the value configured here.	

The following parameter is exclusively visible with "Function of status LED = Controller status indication" and "Controller status = KNX-compliant".

Status LED ON with	<b>Controller error status</b> Operating mode (Heating = 1 / Cooling = 0) Controller disabled (dew point operation) Frost alarm Heat alarm
This parameter is used to define which information about the controller status is to be indicated by the LED.	

The following parameter is exclusively visible with "Function of status LED = Controller status indication" and "Controller status = Controller general".

Status LED ON with	<b>Comfort mode</b> Standby mode Night mode Frost/heat protection mode Controller disabled Heating / Cooling (Heating = 1 / Cooling = 0) Controller inactive (deadband operation) Frost alarm
--------------------	--

This parameter is used to define which information about the controller status is to be indicated by the LED.

The following parameter is exclusively visible with "Function of status LED = Setpoint shift display".

Status LED	<b>ON in case of variation</b> On in case of positive variation ON in case of negative variation OFF in case of variation OFF in case of positive variation OFF in case of negative variation
------------	--

This parameter defines at which setpoint variation the status LED will be switched on or off.

The following parameter is exclusively visible with "Colour selection of all status LEDs = Colour selection per status LED" ("General" parameter page).

Colour of the status LED	red <b>green</b> blue
--------------------------	-----------------------------

If separate colour settings for the status LEDs are required, then this parameter can be used individually to define the desired colour for each status LED. The LED lights up in the configured colour if it is subsequently switched on regularly in operation of the push-button sensor in accordance with the basic configuration "Function of the status LED".

Superposed function	activated <b>deactivated</b>
---------------------	---------------------------------

Additionally, a superposed function can be enabled separately for each status LED. The superposed function can be used to change the colour of a status LED via a 1-byte communication object during device operation. It is also possible here to change the display function.



Selection of the superposed function	<b>Control via separate LED object (1 bit)</b> Control via separate LED object (1 byte)
<p>This parameter defines whether the superposed function of the status LED is controlled via a 1-bit object or via a 1-byte object.</p> <p>If "Control via separate LED object (1-bit)" is selected, the superimposed function is defined in the ETS parameters.</p> <p>If "Control via separate LED object (1-byte)" is selected, the superimposed function is defined in the 1-byte communication object bit coding.</p>	
Superposed function ON when	<b>1 telegram</b> 0 telegram
<p>This parameter is used to set whether the superposed function will be switched on via a 1-telegram or a 0-telegram.</p> <p>If the setting "1 telegram" is selected, the superposed function will be switched on via a 1-telegram and switched off via a 0-telegram.</p> <p>If the setting "0 telegram" is selected, the superposed function will be switched on via a 0-telegram and switched off via a 1-telegram.</p> <p>This parameter is only visible when "Selection of superposed function" = "Control via separate LED object (1-bit)".</p>	
Type of reading with superposed function	<b>LED static ON</b> LED flashes
<p>This parameter defines whether the status LED will be statically switched on or flash when the superposed function is switched on.</p> <p>This parameter is only visible when "Selection of superposed function" = "Control via separate LED object (1-bit)".</p>	
Colour of the superposed status LED	<b>red</b> green blue
<p>The status LED lights up in the colour set here when the superposed function is switched on.</p> <p>This parameter is only visible when "Selection of superposed function" = "Control via separate LED object (1-bit)".</p>	

## 12.9.5 Object list

The following communication objects are available for the individual buttons or rockers, depending on the set operating concept. The object name corresponds to the selection for the operating concept (button or rocker). The name of the object can be specified by the parameter "Name of ...".

Object no.	Function	Name	Type	DPT	Flag
503, 511, ..., 543	Switching	Button/rocker <i>n</i> - status LED - input	1-bit	1.001	C, -, W, -, -
1-bit object to control the status LED. This object is only visible with "Function of status LED = Control via separate LED object".					

Object no.	Function	Name	Type	DPT	Flag
503, 511, ..., 543	Operating mode display	Button/rocker <i>n</i> - status LED - input	1 byte	20,102	C, -, W, -, -
1-byte object to control the status LED. This object is only visible with "Function of status LED = Operating mode display".					

Object no.	Function	Name	Type	DPT	Flag
503, 511, ..., 543	Controller status - KNX-compliant	Button/rocker <i>n</i> - status LED - input	2 bytes	22,101	C, -, W, -, -
2-byte object to control the status LED. This object is only visible with "Function of status LED = Controller status indication" and "Controller status = KNX-compliant".					

Object no.	Function	Name	Type	DPT	Flag
503, 511, ..., 543	Controller status - controller general	Button/rocker <i>n</i> - status LED - input	1 byte	---	C, -, W, -, -
1-byte object to control the status LED. This object is only visible with "Function of status LED = Controller status indication" and "Controller status = Controller general".					

Object no.	Function	Name	Type	DPT	Flag
504, 512, ..., 544	Superposed function	Button/rocker <i>n</i> - status LED - input	1-bit	1.001	C, -, W, -, -
1-bit object for forced control of the status LED. It enables the superposed function to be switched on or off when "Control via separate LED object (1-bit)" is set.					

Object no.	Function	Name	Type	DPT	Flag
504, 512, ..., 544	Superposed function	Button/rocker n - status LED - input	1 byte	---	C, -, W, -, -
<p>1-byte object for forced control of the status LED. This can be used to change the colour and display information of individual status LEDs according to priority when "Control via separate LED object (1-byte)" is set.</p> <p>"0" = Superposed function is deactivated            "1" = LED lights up red, "2" = LED flashes red            "3" = LED lights up green, "4" = LED flashes green            "5" = LED lights up blue, "6" = LED flashes blue</p>					

## 13 Channel-independent device functions

The following subchapters provide a description of the device functions. Each subchapter consists of the following sections:

- Functional description
- Table of parameters
- Object list

### Functional description

The functional description explains the function and provides helpful tips on project design and usage of the function. Cross references support you in your search for further information.

### Table of parameters

The table of parameters lists all parameters associated with the function. Each parameter is documented in a table as follows.

Name of the parameter	Parameter values
Parameter description	

### Object list

The object list specifies and describes all communication objects associated with the function. Each communication object is documented in a table.

Object no.	This column contains the object number of the communication object.
Function	This column contains the function of the communication object.
Name	This column contains the name of the communication object.
Type	This column contains the length of the communication object.
DPT	This column assigns a datapoint type to a communication object. Datapoint types are standardized in order to ensure interoperability of KNX devices.
Flag	This column assigns the communication flags in accordance with the KNX specification.
K flag	activates / deactivates the communication of the communication object
L flag	enables externally triggered reading of the value from the communication object
S flag	enables externally triggered writing of the value to the communication object
Ü flag	enables transfer of a value
A flag	enables updating of an object value in case of feedback
I flag	enforces updating of the communication object value when the devices is switched on (reading at init)

## 13.1 LED orientation lighting

All status LEDs of the push-button sensor can be used as orientation lights if necessary. The colour of the orientation light can be freely selected from the colour range available for the status LED. You can also set the brightness at which the status LED will light up when orientation light is switched on. When the LED orientation light is on, all status LEDs of the push-button sensor will always light up in the set colour and brightness. With LED night reduction activated, the corresponding parameter page can be used to configure a separate brightness for the orientation light during night reductionLED night reduction.

The LED orientation light is activated on the "General" parameter page and can subsequently be configured on the "LED orientation lighting" parameter page.

For orientation, the status LEDs can be:

- switched on continuously,
- switched on via an object, or
- switched on for a set period of time after pressing a button.

**i** In accordance with the available selection options, random levels can be configured for the regular brightness and for the brightness with activated LED orientation lighting in the ETS. It is advisable to set the brightness value for LED orientation lighting to a lower level than regular brightness.

### 13.1.1 Table of parameters

"General" parameter page

LED orientation lighting	activated <b>deactivated</b>
--------------------------	---------------------------------

The LED orientation light can be enabled here.

If orientation lighting is enabled, the ETS shows further parameters and at most one more communication object.

The following parameters are visible on the "LED orientation lighting" parameter page if LED orientation lighting has been activated.

Colour	red <b>green</b> blue
--------	-----------------------------

The colour for all status LEDs with LED orientation lighting switched on can be selected here.

Function	always OFF <b>always ON</b> Control via object Automatic control
----------	---

This parameter defines the function of LED orientation lighting.

always OFF: LED orientation lighting is permanently switched off.

always ON: LED orientation lighting is permanently switched on.

Control via object: LED orientation lighting can be switched on and off via the "Switching orientation lighting" object.

automatic control: LED orientation lighting is switched on with every press of a button and switched off after a parameterized on-time.

Control via object value	<b>1 = static ON / 0 = static OFF</b> 1 = static OFF / 0 = static ON 1 = flashing / 0 = static OFF 1 = static OFF / 0 = flashing
--------------------------	---

With the "Control via object" function set, this parameter defines the object values for the "Switching orientation lighting" object.

Switch-off after Minutes (0...20)	<b>0...20</b>
--------------------------------------	---------------

With the "automatic control" function set, this parameter defines the on-time for LED orientation lighting in minutes.

Seconds (0...59)	0... <b>3</b> ...59
With the "automatic control" function set, this parameter defines the on-time for LED orientation lighting in seconds.	

Brightness	Level 0 (OFF) Level 1 (dark) <b>Level 2</b> Level 3 Level 4 Level 5 (bright)
The brightness for all status LEDs with LED orientation lighting switched on can be selected here.	

### 13.1.2 Object list

Object no.	Function	Name	Type	DPT	Flag
5	Switching orientation lighting	LED orientation lighting - input	1-bit	1.001	C, -, W, -, U
1-bit object for switching the orientation light on or off. The telegram polarity can be configured.					

## 13.2 LED night reduction

Optionally the brightness of the status LED can be changed during operation of the push-button sensor, controlled by the LED night reduction. Changing may be advisable, for example, to reduce the brightness during nighttime hours. If change-over of the brightness via the object is required, the "LED night reduction" must be activated on the "General" parameter page. In this case the "Night reduction" communication object becomes visible in the ETS. As soon as a "1" telegram is received via this object, the push-button sensor switches over to the "Brightness of all status LEDs in night reduction" configured in the ETS ("LED night reduction" parameter page). If a "0" telegram is received via the object, the push-button sensor switches back to regular brightness.

The change-over of the LED brightness is always performed softly by means of a brief dimming process. Dimming up to a higher level value results in quicker dimming than with dimming to a lower level value. This results in a slow soft dimming that is pleasing for the human eye. The dimming speeds are fixed and therefore not changeable.

After a button has been actuated while night reduction is active, the illuminated LEDs of the device can be controlled to light up with regular brightness for 30 seconds. This behaviour can be activated or deactivated using the "Brightness increase for 30 seconds" parameter. Increasing the brightness, especially with significantly reduced brightness values or LEDs even switched off, permits status changes to be identified more easily (or identified at all) in night mode.

- i** In the ETS it is possible to perform configuration in accordance with the possible selection of required stage values for the regular and reduced brightness. No check is made whether a reduced brightness level is configured for the reduced brightness level. This also makes it possible to use the object to switch over the object to larger brightness levels in comparison to the regular brightness. It is recommended, however, to set the brightness value for the night reduction lower than the regular brightness.
- i** After a device reset, the regular brightness for switched-on LEDs is always effective. Switch-over by night reduction will only take place when a telegram is written to the respective object after a reset.
- i** When the status LED is activated via the regular display function or via the superposed function, it is possible to let the status LED flash. During flashing the LEDs switch synchronously between the "switched-on" and "switched-off" states in the active brightness. This is not interpreted as a change of state of the display function, by means of which the brightness is therefore also not switched over automatically.

### 13.2.1 Table of parameters

"General" parameter page



LED night reduction	activated <b>deactivated</b>
---------------------	---------------------------------

The LED night reduction can be enabled here.  
If night reduction is enabled, the ETS shows further parameters and another communication object.

The following parameters are visible on the "LED night reduction" parameter page if LED night reduction has been activated.

Polarity of the night reduction object	<b>1 = active / 0 = not active</b> 0 = active / 1 = not active
--	---

The night reduction object is used as an input for activating or deactivating the LED night reduction. This object defines the polarity of the "Switching night reduction" object.

Brightness of all status LEDs in night reduction	Level 0 (OFF) Level 1 (dark) <b>Level 2</b> Level 3 Level 4 Level 5 (bright)
--	---

The brightness of all status LEDs of the push-button sensor can be defined on the "General" parameter page. The illumination brightness of all LEDs with active night reduction can be set here in 6 levels.

Increase brightness for 30 seconds	<b>activated</b> deactivated
------------------------------------	---------------------------------

After a button has been actuated while night reduction is active, the illuminated LEDs of the device can be controlled to light up with regular brightness for 30 seconds. This behaviour can be activated or deactivated using this parameter.

Brightness of orientation lighting in night reduction	Level 0 (OFF) <b>Level 1 (dark)</b> Level 2 Level 3 Level 4 Level 5 (bright)
---	---

The brightness of orientation lighting can be defined on the "LED orientation lighting" parameter page. The illumination brightness of the LED orientation lighting with active night reduction can be set here in 6 levels.

### 13.2.2 Object list

Object no.	Function	Name	Type	DPT	Flag
7	Switching night reduction	LED night reduction - input	1-bit	1.001	C, -, W, -, U
<p>1-bit object for activating or deactivating the night reduction (brightness of all LEDs changed). This makes it possible, for example, to reduce the brightness during night-time hours to a value configured in the ETS ("1" = Night reduction ON; "0" = Night reduction OFF).</p>					

## 13.3 disabling function

### Configuration

With the 1-bit communication object "Disabling", the operating areas of the push-button sensor can be partly or completely disabled. During a disable, the rockers or buttons can also temporarily execute other functions.

- i** An active disable applies only to the functions of the rockers or buttons. The functions of the status LED and the temperature measurement are not affected by the disabling function.

The disabling function and the pertaining parameters and communication objects are enabled if the parameter "Disabling function ?" on the "General" parameter page is set to "Activated".

You can parameterize the polarity of the disabling object. In case of polarity inversion (disabled = 0 / enabled = 1), the disabling function is not activated immediately after a bus reset or after ETS programming (object value = "0"). There must first be an object update "0" until the disabling function will be activated. Telegram updates from "0" to "0" or from "1" to "1" on the "Disabling" object remain without effect.

- i** After a device reset, the disabling function is deactivated and must be activated via the bus.

### Configuring the reaction during a disable

In an active disable, either all buttons of the device or only individual buttons may be affected by the disable. You can furthermore define in the ETS whether disabled buttons will not show any response when pressed or, alternatively, will behave like another button of the device. This can be used to limit the control function of the push button sensor completely or partially.

The disabling function must be activated.

- Set the "Button assignment" parameter to "All buttons assigned".  
The disabling function affects all buttons. As soon as any button of the device is pressed while a disabling function is active, the push button sensor executes the "behaviour when a disabling function is active".
- Set the "Button assignment" parameter to "Individual buttons assigned".  
The disabling function affects only the buttons that are assigned on the "Disable function" parameter page. As soon as one of the assigned buttons is pressed while a disabling function is active, the "Behaviour when a disabling function is active" for this button is executed. All other, non-disabled buttons respond normally when pressed.
- Set the parameter "Behaviour when a disabling function is active" to "No response when pressed".

The disabled buttons do not respond when pressed. The status LEDs of the disabled buttons remain off if the display function is configured to "Button-press display" or "Telegram acknowledgement".

- Set the parameter "Behaviour when a disabling function is active" to "No response when pressed like...". Also configure the parameters "All assigned left / right buttons behave like" and "All assigned top / bottom buttons behave like" to the required button number or to the required disabling function 1 or 2.

All buttons assigned to the disabling function behave as defined in the parameters of the disabling function. Different or identical reference buttons can be configured separately for all the left / right and top / bottom operating buttons. The two disabling functions of the push-button sensor can also be configured as a reference button.

The telegrams are transmitted to the bus via the communication objects of the specified reference buttons. The disabling functions 1 and 2 have separate communication objects. The status LEDs of the reference buttons are controlled according to their function. The status LEDs of the disabled buttons remain off if the display function is configured to "Button-press display" or "Telegram acknowledgement".

- i** If a button evaluation is taking place at the time of activation / deactivation of a disabling function, this function is aborted immediately and with it also the pertaining button function. It is first necessary to release all buttons before a new button function can be executed if so permitted by the state of disabling.

### 13.3.1 Table of parameters

"General" parameter page

disabling function	activated <b>deactivated</b>
<p>With this parameter, the disabling function of the push-button sensor can be centrally activated.</p> <p>If "activated", the ETS shows further communication object and parameters.</p>	

"Disable function" parameter page

Polarity of disabling object	<b>1 = disable / 0 = enable</b> 0 = disable / 1 = enable
<p>This parameter defines the value of the disabling object at which the disabling function is active.</p>	

Button assignment	<b>All buttons assigned</b> individual buttons assigned
<p>"All buttons assigned": The disabling function affects all buttons. As soon as any button of the device is pressed while a disabling function is active, the "Behaviour when a disabling function is active" is executed.</p> <p>"Individual buttons assigned": The disabling function affects only the assigned buttons. As soon as one of the assigned buttons is pressed while a disabling function is active, the "Behaviour when a disabling function is active" for this button is executed. All other, non-disabled buttons respond normally when pressed.</p>	

Assign button <i>n</i> ?	activated <b>deactivated</b>
<p>With the setting "Individual buttons assigned", these parameters define the assignment of the buttons to the disabling function.</p>	

Behaviour when the disabling function is active	<b>no reaction to button-press</b> Reaction to a button-press like...
<p>You can define here whether disabled buttons will not show any response when pressed or, alternatively, will behave like another button of the device or like a virtual disabling function.</p> <p>"no reaction to button-press": The disabled buttons do not respond when pressed.</p> <p>"Reaction to a button-press like...": All buttons assigned to the disabling function behave as defined in the parameters for the two specified reference buttons of the push button sensor. Different or identical reference buttons can be configured separately for all the left and right operating buttons. The two virtual disabling functions of the push button sensor can also be configured as a reference button. The telegrams are transmitted to the bus via the communication objects of the specified reference buttons.</p>	

<p>All assigned left buttons behave as</p>	<p><b>Button 1</b>                  Button 2 ...                  (Selection depends on device variant!)                  Disabling function 1                  Disabling function 2</p>
<p>If a specific button function is to be assigned during disabling to all or to individual buttons, this parameter can be used to select the desired button the function of which will then be executed. During disabling, all the left buttons behave like the one configured here.</p> <p>The desired functions can either correspond to the function of an existing button or they can be configured as special disabling functions.</p> <p>This parameter is only visible with "Behaviour when a disabling function is active = Reaction to a button-press like..." and "Installation position = standard installation position".</p>	
<p>All assigned right buttons behave as</p>	<p><b>Button 1</b>                  Button 2 ...                  (Selection depends on device variant!)                  Disabling function 1                  Disabling function 2</p>
<p>If a specific button function is to be assigned during disabling to all or to individual buttons, this parameter can be used to select the desired button the function of which will then be executed. During disabling, all the right buttons behave like the one configured here.</p> <p>The desired functions can either correspond to the function of an existing button or they can be configured as special disabling functions.</p> <p>This parameter is only visible with "Behaviour when a disabling function is active = Reaction to a button-press like..." and "Installation position = standard installation position".</p>	
<p>All assigned upper buttons behave as</p>	<p><b>Button 1</b>                  Button 2 ...                  (Selection depends on device variant!)                  Disabling function 1                  Disabling function 2</p>
<p>If a specific button function is to be assigned during disabling to all or to individual buttons, this parameter can be used to select the desired button the function of which will then be executed. During disabling, all assigned upper buttons behave like the one parameterized here.</p> <p>The desired functions can either correspond to the function of an existing button or they can be configured as special disabling functions.</p> <p>This parameter is only visible with "Behaviour when a disabling function is active = Reaction to a button-press like..." and "Installation position = turned by -90°".</p>	

All assigned lower buttons behave as	<b>Button 1</b> Button 2 ... (Selection depends on device variant!) Disabling function 1 Disabling function 2
<p>If a specific button function is to be assigned during disabling to all or to individual buttons, this parameter can be used to select the desired button the function of which will then be executed. During disabling, all assigned lower buttons behave like the one parameterized here.</p> <p>The desired functions can either correspond to the function of an existing button or they can be configured as special disabling functions.</p> <p>This parameter is only visible with "Behaviour when a disabling function is active = Reaction to a button-press like..." and "Installation position = turned by -90°".</p>	

Parameter page "Disabling function -> Disabling function 1 / Disabling function 2"

- i** The functions "Switching", "Dimming and colour temperature", "Colour control and brightness", "Shading", "Value transmitter", "Scene extension", "2-channel operation" and "Controller extension" are available for the two disabling functions. These functions behave like the button functions of the device (same parameters).

### 13.3.2 Object list

Object no.	Function	Name	Type	DPT	Flag
9	Disabling	Disabling function - input	1-bit	1.002	C, -, W, -, -
1-bit object for transmission of switching telegrams (ON, OFF).					

#### Function: Switching

Object no.	Function	Name	Type	DPT	Flag
57, 60	Switching	Disabling function <i>n</i> - output	1-bit	1.001	C, -, -, T, -
1-bit object for transmission of switching telegrams (ON, OFF).					

Object no.	Function	Name	Type	DPT	Flag
58, 61	Switching feedback	Disabling function <i>n</i> - input	1-bit	1.001	C, -, W, -, U
1-bit object for receiving feedback telegrams (ON, OFF).					

#### Function: Dimming and colour temperature

Object no.	Function	Name	Type	DPT	Flag
111, 117	Switching	Disabling function <i>n</i> - output	1-bit	1.001	C, R, -, T, -
1-bit object for transmission of switching telegrams (ON, OFF).					

Object no.	Function	Name	Type	DPT	Flag
112, 118	Dimming brightness	Disabling function <i>n</i> - output	4-bit	1.007	C, -, W, T, -
4-bit object for the transmission of relative dimming telegrams.					

Object no.	Function	Name	Type	DPT	Flag
112, 118	Dimming brightness + colour temperature	Disabling function <i>n</i> - output	3 bytes	250,600	C, -, W, T, -
3-byte object for sending dimming telegrams for adjusting the brightness and the colour temperature in combination.					

Object no.	Function	Name	Type	DPT	Flag
113, 119	Switching feedback	Disabling function <i>n</i> - input	1-bit	1.001	C, -, W, -, U
1-bit object for receiving feedback telegrams (ON, OFF).					



Object no.	Function	Name	Type	DPT	Flag
114, 120	Dimming colour temperature	Disabling function <i>n</i> - output	4-bit	3.007	C, -, W, T, -

4-bit object for sending relative dimming telegrams to adjust the colour temperature.

**Function: Colour control and brightness**

Object no.	Function	Name	Type	DPT	Flag
693, 708	Switching	Disabling function <i>n</i> - output	1-bit	1.001	C, -, -, T, -

1-bit object for transmission of switching telegrams (ON, OFF).

Object no.	Function	Name	Type	DPT	Flag
694, 709	Switching feedback	Disabling function <i>n</i> - input	1-bit	1.001	C, -, W, -, U

1-bit object for receiving feedback telegrams (ON, OFF).

Object no.	Function	Name	Type	DPT	Flag
695, 710	Colour value RGB	Disabling function <i>n</i> - output	3 bytes	232,600	C, -, -, T, -

3-byte object for transmitting the RGB colour values.  
This object is only visible with "Colour space = RGB" and "Communication = Combi object".

Object no.	Function	Name	Type	DPT	Flag
695, 710	Colour value RGBW	Disabling function <i>n</i> - output	6 bytes	251,600	C, -, -, T, -

6-byte object for transmitting the RGBW colour values.  
This object is only visible with "Colour space = RGBW" and "Communication = Combi object".

Object no.	Function	Name	Type	DPT	Flag
696, 711	Colour value Red	Disabling function <i>n</i> - output	1 byte	5.001	C, -, -, T, -

1-byte object for transmitting the red colour value.  
This object is only visible with "Colour space = RGB or RGBW" and "Communication = Individual objects".

Object no.	Function	Name	Type	DPT	Flag
696, 711	Colour hue (H)	Disabling function <i>n</i> - output	1 byte	5.003	C, -, -, T, -

1-byte object for transmitting the colour hue.  
This object is only visible with "Colour space = HSV or HSVW".

Object no.	Function	Name	Type	DPT	Flag
697, 712	Colour value Green	Disabling function <i>n</i> - output	1 byte	5.001	C, -, -, T, -

1-byte object for transmitting the green colour value.

This object is only visible with "Colour space = RGB or RGBW" and "Communication = Individual objects".

Object no.	Function	Name	Type	DPT	Flag
697, 712	Saturation (S)	Disabling function <i>n</i> - output	1 byte	5.001	C, -, -, T, -

1-byte object for transmitting the saturation.

This object is only visible with "Colour space = HSV or HSVW".

Object no.	Function	Name	Type	DPT	Flag
698, 713	Colour value Blue	Disabling function <i>n</i> - output	1 byte	5.001	C, -, -, T, -

1-byte object for transmitting the blue colour value.

This object is only visible with "Colour space = RGB or RGBW" and "Communication = Individual objects"

Object no.	Function	Name	Type	DPT	Flag
698, 713	Brightness (V)	Disabling function <i>n</i> - output	1 byte	5.001	C, -, -, T, -

1-byte object for transmitting the brightness value.

This object is only visible with "Colour space = HSV or HSVW".

Object no.	Function	Name	Type	DPT	Flag
698, 713	Colour value White	Disabling function <i>n</i> - output	1 byte	5.001	C, -, -, T, -

1-byte object for transmitting the white colour value.

This object is only visible with "Colour space = RGBW" and "Communication = Individual objects".

Object no.	Function	Name	Type	DPT	Flag
698, 713	White level (W)	Disabling function <i>n</i> - output	1 byte	5.001	C, -, -, T, -

1-byte object for transmitting the white level.

This object is only visible with "Colour space = HSVW".

Object no.	Function	Name	Type	DPT	Flag
701, 716	Colour value RGB feedback	Disabling function <i>n</i> - input	3 bytes	232,600	C, -, W, -, U

3-byte object for receiving feedback telegrams (RGB colour values).

This object is only visible with "Colour space = RGB" and "Communication = Combi object".

Object no.	Function	Name	Type	DPT	Flag
701, 716	Colour value RGBW feedback	Disabling function <i>n</i> - input	6 bytes	251,600	C, -, W, -, U

6-byte object for receiving feedback telegrams (RGBW colour values).

This object is only visible with "Colour space = RGBW" and "Communication = Combi object".

Object no.	Function	Name	Type	DPT	Flag
702, 717	Colour value Red feedback	Disabling function <i>n</i> - input	1 byte	5.001	C, -, W, -, U

1-byte object for receiving feedback telegrams (red colour value).

This object is only visible with "Colour space = RGB or RGBW" and "Communication = Individual objects"

Object no.	Function	Name	Type	DPT	Flag
702, 717	Colour hue (H) feedback	Disabling function <i>n</i> - input	1 byte	5.003	C, -, W, -, U

1-byte object for receiving feedback telegrams (colour hue H).

This object is only visible with "Colour space = HSV or HSVW".

Object no.	Function	Name	Type	DPT	Flag
703, 718	Colour value Green feedback	Disabling function <i>n</i> - input	1 byte	5.001	C, -, W, -, U

1-byte object for receiving feedback telegrams (green colour value).

This object is only visible with "Colour space = RGB or RGBW" and "Communication = Individual objects"

Object no.	Function	Name	Type	DPT	Flag
703, 718	Saturation (S) feedback	Disabling function <i>n</i> - input	1 byte	5.001	C, -, W, -, U

1-byte object for receiving feedback telegrams (saturation S).

This object is only visible with "Colour space = HSV or HSVW".

Object no.	Function	Name	Type	DPT	Flag
704, 719	Colour value Blue feedback	Disabling function <i>n</i> - input	1 byte	5.001	C, -, W, -, U

1-byte object for receiving feedback telegrams (blue colour value).

This object is only visible with "Colour space = RGB or RGBW" and "Communication = Individual objects"

Object no.	Function	Name	Type	DPT	Flag
704, 719	Brightness (V) feedback	Disabling function <i>n</i> - input	1 byte	5.001	C, -, W, -, U

1-byte object for receiving feedback telegrams (brightness value V).

This object is only visible with "Colour space = HSV or HSVW".

Object no.	Function	Name	Type	DPT	Flag
705, 720	Colour value White feedback	Disabling function <i>n</i> - input	1 byte	5.001	C, -, W, -, U

1-byte object for receiving feedback telegrams (white colour value).

This object is only visible with "Colour space = RGBW" and "Communication = Individual objects".

Object no.	Function	Name	Type	DPT	Flag
705, 720	White level (W) feedback	Disabling function <i>n</i> - input	1 byte	5.001	C, -, W, -, U

1-byte object for receiving feedback telegrams (white value W).

This object is only visible with "Colour space = HSVW".

### Function: Shading

Object no.	Function	Name	Type	DPT	Flag
147, 150	Short-time operation	Disabling function <i>n</i> - output	1-bit	1.008	C, -, -, T, -

1-bit object for the transmission of telegrams with which a Venetian blind or shutter drive motor can be stopped or with which the blind slats can be adjusted by short time operation.

Object no.	Function	Name	Type	DPT	Flag
148, 151	Long-time operation	Disabling function <i>n</i> - output	1-bit	1.008	C, -, W, T, -

1-bit object for the transmission of telegrams with which a Venetian blind or shutter drive motor can be moved upwards or downwards.

**Function: Value transmitter**

Object no.	Function	Name	Type	DPT	Flag
249, 261	Value transmitter 0...255	Disabling function <i>n</i> - output	1 byte	5.010	C, -, W, T, -
1-byte object for the transmission of values from 0 to 255.					

Object no.	Function	Name	Type	DPT	Flag
249, 261	Value transmitter 0...100 %	Disabling function <i>n</i> - output	1 byte	5.001	C, -, W, T, -
1-byte object for transmitting values from 0 to 100%.					

Object no.	Function	Name	Type	DPT	Flag
249, 261	Value transmitter -128...127	Disabling function <i>n</i> - output	1 byte	6.010	C, -, W, T, -
1-byte object for the transmission of values from -128 to 127.					

Object no.	Function	Name	Type	DPT	Flag
249, 261	Value transmitter 0...255 %	Disabling function <i>n</i> - output	1 byte	5.004	C, -, W, T, -
1-byte object for transmitting values from 0 to 255%.					

Object no.	Function	Name	Type	DPT	Flag
249, 261	Value transmitter 0...65535	Disabling function <i>n</i> - output	2 bytes	7.001	C, -, W, T, -
2-byte object for the transmission of values from 0 to 65535.					

Object no.	Function	Name	Type	DPT	Flag
249, 261	Value transmitter -32768...32767	Disabling function <i>n</i> - output	2 bytes	8.001	C, -, W, T, -
2-byte object for the transmission of values from -32768 to 32767.					

Object no.	Function	Name	Type	DPT	Flag
249, 261	Temperature value transmitter	Disabling function <i>n</i> - output	2 bytes	9.001	C, -, W, T, -
2-byte object for transmitting temperature values from 0 to 40 °C.					

Object no.	Function	Name	Type	DPT	Flag
249, 261	Brightness value transmitter	Disabling function <i>n</i> - output	2 bytes	9.004	C, -, W, T, -
2-byte object for transmitting brightness values from 0 to 1500 Lux.					

Object no.	Function	Name	Type	DPT	Flag
249, 261	Colour temperature value transmitter	Disabling function <i>n</i> - output	2 bytes	7,600	C, -, -, T, -
2-byte object for transmitting colour temperature values from 1000 to 10000 Kelvin.					

Object no.	Function	Name	Type	DPT	Flag
249, 261	Colour value transmitter RGB	Disabling function <i>n</i> - output	3 bytes	232,600	C, -, -, T, -
3-byte object for transmitting the colour information red, green and blue in one communication object.					

Object no.	Function	Name	Type	DPT	Flag
249, 261	Colour value transmitter RGBW	Disabling function <i>n</i> - output	6 bytes	251,600	C, -, -, T, -
6-byte object for sending the colour information red, green, blue and white in one communication object.					

Object no.	Function	Name	Type	DPT	Flag
250, 262	Colour value transmitter Red	Disabling function <i>n</i> - output	1 byte	5.001	C, -, -, T, -
1-byte object for transmitting the red colour value from 0 to 100 per cent.					

Object no.	Function	Name	Type	DPT	Flag
251, 263	Colour value transmitter Green	Disabling function <i>n</i> - output	1 byte	5.001	C, -, -, T, -
1-byte object for transmitting the green colour value from 0 to 100 per cent.					

Object no.	Function	Name	Type	DPT	Flag
252, 264	Colour value transmitter Blue	Disabling function <i>n</i> - output	1 byte	5.001	C, -, -, T, -
1-byte object for transmitting the blue colour value from 0 to 100 per cent.					

Object no.	Function	Name	Type	DPT	Flag
253, 265	Colour value transmitter White	Disabling function <i>n</i> - output	1 byte	5.001	C, -, -, T, -
1-byte object for transmitting the white colour value from 0 to 100 per cent.					

Object no.	Function	Name	Type	DPT	Flag
250, 262	Colour hue (H)	Disabling function <i>n</i> - output	1 byte	5.003	C, -, -, T, -
1-byte object for sending the colour hue (H) from 0 ... 360°.					

Object no.	Function	Name	Type	DPT	Flag
251, 263	Saturation (S)	Disabling function <i>n</i> - output	1 byte	5.001	C, -, -, T, -
1-byte object for transmitting the saturation (S) from 0 to 100 per cent.					

Object no.	Function	Name	Type	DPT	Flag
252, 264	Brightness (V)	Disabling function <i>n</i> - output	1 byte	5.001	C, -, -, T, -
1-byte object for transmitting the brightness (V) from 0 to 100 per cent.					

Object no.	Function	Name	Type	DPT	Flag
253, 265	White level (W)	Disabling function <i>n</i> - output	1 byte	5.001	C, -, -, T, -
1-byte object for transmitting the white value (W) from 0 to 100 per cent.					

Object no.	Function	Name	Type	DPT	Flag
549, 261	Colour temperature value transmitter + brightness	Disabling function <i>n</i> - output	6 bytes	249,60 0	C, -, -, T, -
6-byte object for sending the time window, colour temperature and brightness.					

**Function: Scene extension**

Object no.	Function	Name	Type	DPT	Flag
298, 301	Scene extension	Disabling function <i>n</i> - output	1 byte	18.001	C, -, -, T, -
1-byte object for recalling or for storing one of 64 scenes max. from a scene push button sensor.					

**Function: 2-channel operation**

Object no.	Function	Name	Type	DPT	Flag
407, 420	Channel 1 switching	Disabling function <i>n</i> - output	1-bit	1.001	C, -, W, T, U
1-bit object for transmitting switching telegrams on channel 1 if 2-channel operation is activated.					

Object no.	Function	Name	Type	DPT	Flag
408, 421	Channel 2 switching	Disabling function <i>n</i> - output	1-bit	1.001	C, -, W, T, U
1-bit object for transmitting switching telegrams on channel 2 if 2-channel operation is activated.					

Object no.	Function	Name	Type	DPT	Flag
407, 420	Channel 1 value 0...255	Disabling function <i>n</i> - output	1 byte	5.010	C, -, -, T, -
1-byte object for transmitting value telegrams on channel 1 if 2-channel operation is activated.					

Object no.	Function	Name	Type	DPT	Flag
408, 421	Channel 2 value 0...255	Disabling function <i>n</i> - output	1 byte	5.010	C, -, -, T, -
1-byte object for transmitting value telegrams on channel 2 if 2-channel operation is activated.					

Object no.	Function	Name	Type	DPT	Flag
407, 420	Channel 1 value 0...100 %	Disabling function <i>n</i> - output	1 byte	5.001	C, -, -, T, -
1-byte object for transmitting value telegrams on channel 1 if 2-channel operation is activated.					

Object no.	Function	Name	Type	DPT	Flag
408, 421	Channel 2 value 0...100 %	Disabling function <i>n</i> - output	1 byte	5.001	C, -, -, T, -
1-byte object for transmitting value telegrams on channel 2 if 2-channel operation is activated.					

Object no.	Function	Name	Type	DPT	Flag
407, 420	Channel 1 value -128...127	Disabling function <i>n</i> - output	1 byte	6.010	C, -, -, T, -
1-byte object for transmitting value telegrams on channel 1 if 2-channel operation is activated.					

Object no.	Function	Name	Type	DPT	Flag
408, 421	Channel 2 value -128...127	Disabling function <i>n</i> - output	1 byte	6.010	C, -, -, T, -
1-byte object for transmitting value telegrams on channel 2 if 2-channel operation is activated.					

Object no.	Function	Name	Type	DPT	Flag
407, 420	Channel 1 value 0...255 %	Disabling function <i>n</i> - output	1 byte	5.004	C, -, -, T, -
1-byte object for transmitting value telegrams on channel 1 if 2-channel operation is activated.					

Object no.	Function	Name	Type	DPT	Flag
408, 421	Channel 2 value 0...255 %	Disabling function <i>n</i> - output	1 byte	5.004	C, -, -, T, -
1-byte object for transmitting value telegrams on channel 2 if 2-channel operation is activated.					

Object no.	Function	Name	Type	DPT	Flag
407, 420	Channel 1 value 0...65535	Disabling function <i>n</i> - output	2 bytes	7.001	C, -, -, T, -
2-byte object for transmitting value telegrams on channel 1 if 2-channel operation is activated.					



Object no.	Function	Name	Type	DPT	Flag
408, 421	Channel 2 value 0...65535	Disabling function <i>n</i> - output	2 bytes	7.001	C, -, -, T, -
2-byte object for transmitting value telegrams on channel 2 if 2-channel operation is activated.					

Object no.	Function	Name	Type	DPT	Flag
407, 420	Channel 1 value -32768...32767	Disabling function <i>n</i> - output	2 bytes	8.001	C, -, -, T, -
2-byte object for transmitting value telegrams on channel 1 if 2-channel operation is activated.					

Object no.	Function	Name	Type	DPT	Flag
408, 421	Channel 2 value -32768...32767	Disabling function <i>n</i> - output	2 bytes	8.001	C, -, -, T, -
2-byte object for transmitting value telegrams on channel 2 if 2-channel operation is activated.					

Object no.	Function	Name	Type	DPT	Flag
407, 420	Channel 1 temperat- ure value	Disabling function <i>n</i> - output	2 bytes	9.001	C, -, -, T, -
2-byte object for transmitting temperature values on channel 1 if 2-channel operation is activated.					

Object no.	Function	Name	Type	DPT	Flag
408, 421	Channel 2 temperat- ure value	Disabling function <i>n</i> - output	2 bytes	9.001	C, -, -, T, -
2-byte object for transmitting temperature values on channel 2 if 2-channel operation is activated.					

Object no.	Function	Name	Type	DPT	Flag
407, 420	Channel 1 bright- ness value	Disabling function <i>n</i> - output	2 bytes	9.004	C, -, -, T, -
2-byte object for transmitting brightness values on channel 1 if 2-channel operation is activated.					

Object no.	Function	Name	Type	DPT	Flag
408, 421	Channel 2 bright- ness value	Disabling function <i>n</i> - output	2 bytes	9.004	C, -, -, T, -
2-byte object for transmitting brightness values on channel 2 if 2-channel operation is activated.					

Object no.	Function	Name	Type	DPT	Flag
407, 420	Channel 1 colour value transmitter	Disabling function <i>n</i> - output	2 bytes	7,600	C, -, -, T, -
2-byte object for transmitting colour temperature values from 1000 to 10000 Kelvin on channel 1 if 2-channel operation is activated.					

Object no.	Function	Name	Type	DPT	Flag
408, 421	Channel 2 colour value transmitter	Disabling function <i>n</i> - output	2 bytes	7,600	C, -, -, T, -
2-byte object for transmitting colour temperature values from 1000 to 10000 Kelvin on channel 2 if 2-channel operation is activated.					

Object no.	Function	Name	Type	DPT	Flag
407, 420	Channel 1 colour value transmitter RGB	Disabling function <i>n</i> - output	3 bytes	232,600	C, -, -, T, -
3-byte object for transmitting the colour information red, green and blue in a communication object on channel 1 if 2-channel operation is activated.					

Object no.	Function	Name	Type	DPT	Flag
408, 421	Channel 2 colour value transmitter RGB	Disabling function <i>n</i> - output	3 bytes	232,600	C, -, -, T, -
3-byte object for transmitting the colour information red, green and blue in a communication object on channel 2 if 2-channel operation is activated.					

Object no.	Function	Name	Type	DPT	Flag
407, 420	Channel 1 colour value transmitter RGBW	Disabling function <i>n</i> - output	6 bytes	251,600	C, -, -, T, -
6-byte object for transmitting the colour information red, green, blue and white in a communication object on channel 1 if 2-channel operation is activated.					

Object no.	Function	Name	Type	DPT	Flag
408, 421	Channel 2 colour value transmitter RGBW	Disabling function <i>n</i> - output	6 bytes	251,600	C, -, -, T, -
6-byte object for transmitting the colour information red, green, blue and white in a communication object on channel 2 if 2-channel operation is activated.					

Object no.	Function	Name	Type	DPT	Flag
409, 422	Channel 1 colour value transmitter Red	Disabling function <i>n</i> - output	1 byte	5.001	C, -, -, T, -
1-byte object for transmitting the colour value red from 0 to 100 per cent on channel 1 if 2-channel operation is activated.					

Object no.	Function	Name	Type	DPT	Flag
413, 426	Channel 2 colour value transmitter Red	Disabling function <i>n</i> - output	1 byte	5.001	C, -, -, T, -

1-byte object for transmitting the colour value red from 0 to 100 per cent on channel 2 if 2-channel operation is activated.

Object no.	Function	Name	Type	DPT	Flag
410, 423	Channel 1 colour value transmitter Green	Disabling function <i>n</i> - output	1 byte	5.001	C, -, -, T, -

1-byte object for transmitting the colour value green from 0 to 100 per cent on channel 1 if 2-channel operation is activated.

Object no.	Function	Name	Type	DPT	Flag
414, 427	Channel 2 colour value transmitter Green	Disabling function <i>n</i> - output	1 byte	5.001	C, -, -, T, -

1-byte object for transmitting the colour value green from 0 to 100 per cent on channel 2 if 2-channel operation is activated.

Object no.	Function	Name	Type	DPT	Flag
411, 424	Channel 1 colour value transmitter Blue	Disabling function <i>n</i> - output	1 byte	5.001	C, -, -, T, -

1-byte object for transmitting the colour value blue from 0 to 100 per cent on channel 1 if 2-channel operation is activated.

Object no.	Function	Name	Type	DPT	Flag
415, 428	Channel 2 colour value transmitter Blue	Disabling function <i>n</i> - output	1 byte	5.001	C, -, -, T, -

1-byte object for transmitting the colour value blue from 0 to 100 per cent on channel 2 if 2-channel operation is activated.

Object no.	Function	Name	Type	DPT	Flag
412, 425	Channel 1 colour value transmitter white	Disabling function <i>n</i> - output	1 byte	5.001	C, -, -, T, -

1-byte object for transmitting the colour value white from 0 to 100 per cent on channel 1 if 2-channel operation is activated.

Object no.	Function	Name	Type	DPT	Flag
416, 429	Channel 2 colour value transmitter white	Disabling function <i>n</i> - output	1 byte	5.001	C, -, -, T, -

1-byte object for transmitting the colour value white from 0 to 100 per cent on channel 2 if 2-channel operation is activated.

Object no.	Function	Name	Type	DPT	Flag
409, 422	Channel 1 colour hue (H)	Disabling function <i>n</i> - output	1 byte	5.003	C, -, -, T, -

1-byte object for sending the colour hue (H) from 0 ... 360° on channel 1 if 2-channel operation is activated.

Object no.	Function	Name	Type	DPT	Flag
413, 426	Channel 2 colour hue (H)	Disabling function <i>n</i> - output	1 byte	5.003	C, -, -, T, -

1-byte object for sending the colour hue (H) from 0 ... 360° on channel 2 if 2-channel operation is activated.

Object no.	Function	Name	Type	DPT	Flag
410, 423	Channel 1 saturation (S)	Disabling function <i>n</i> - output	1 byte	5.001	C, -, -, T, -

1-byte object for transmitting the saturation (S) from 0 to 100 per cent on channel 1 if 2-channel operation is activated.

Object no.	Function	Name	Type	DPT	Flag
414, 427	Channel 2 saturation (S)	Disabling function <i>n</i> - output	1 byte	5.001	C, -, -, T, -

1-byte object for transmitting the saturation (S) from 0 to 100 per cent on channel 2 if 2-channel operation is activated.

Object no.	Function	Name	Type	DPT	Flag
411, 424	Channel 1 brightness (V)	Disabling function <i>n</i> - output	1 byte	5.001	C, -, -, T, -

1-byte object for transmitting the brightness value (V) from 0 to 100 per cent on channel 1 if 2-channel operation is activated.

Object no.	Function	Name	Type	DPT	Flag
415, 428	Channel 2 brightness (V)	Disabling function <i>n</i> - output	1 byte	5.001	C, -, -, T, -

1-byte object for transmitting the brightness value (V) from 0 to 100 per cent on channel 2 if 2-channel operation is activated.

Object no.	Function	Name	Type	DPT	Flag
412, 425	Channel 1 white level (W)	Disabling function <i>n</i> - output	1 byte	5.001	C, -, -, T, -

1-byte object for transmitting the white value (W) from 0 to 100 per cent on channel 1 if 2-channel operation is activated.

Object no.	Function	Name	Type	DPT	Flag
416, 429	Channel 2 white level (W)	Disabling function <i>n</i> - output	1 byte	5.001	C, -, -, T, -

1-byte object for transmitting the white value (W) from 0 to 100 per cent on channel 2 if 2-channel operation is activated.

Object no.	Function	Name	Type	DPT	Flag
407, 420	Channel 1 colour value transmitter + brightness	Disabling function <i>n</i> - output	6 bytes	249,600	C, -, -, T, -

6-byte object for transmitting the time window, colour temperature and brightness on channel 1 if 2-channel operation is activated.

Object no.	Function	Name	Type	DPT	Flag
408, 421	Channel 2 colour value transmitter + brightness	Disabling function <i>n</i> - output	6 bytes	249,600	C, -, -, T, -

6-byte object for transmitting the time window, colour temperature and brightness on channel 2 if 2-channel operation is activated.

Object no.	Function	Name	Type	DPT	Flag
407, 420	Channel 1 scene (external) 1...64	Disabling function <i>n</i> - output	1 byte	18.001	C, -, -, T, -

1-byte object for transmitting scene values on channel 1 if 2-channel operation is activated.

Object no.	Function	Name	Type	DPT	Flag
408, 421	Channel 2 scene (external) 1...64	Disabling function <i>n</i> - output	1 byte	18.001	C, -, -, T, -

1-byte object for transmitting scene values on channel 2 if 2-channel operation is activated.

**Function: controller extension**

Object no.	Function	Name	Type	DPT	Flag
490, 497	Operating mode switchover	Disabling function <i>n</i> - controller extension - output	1 byte	20,102	C, -, -, T, -

1-byte object for changing over a room temperature controller between the Comfort, Standby, Night and Frost/heat protection operating modes.

This object is only visible if "Function = operating mode change-over".

Object no.	Function	Name	Type	DPT	Flag
491, 498	Operating mode switchover feedback	Disabling function <i>n</i> - controller extension - input	1 byte	20,102	C, -, W, -, U

1-byte object for receiving the operating mode of a room temperature controller.

This object is only visible if "Function = operating mode change-over".

Object no.	Function	Name	Type	DPT	Flag
490, 497	Operating mode forced-control	Disabling function <i>n</i> - controller extension - output	1 byte	20,102	C, -, -, T, -

1-byte object for changing over a room temperature controller under forced control between the Automatic, Comfort, Standby, Night and Frost / heat protection operating modes

This object is only visible if "Function = forced operating mode change-over".

Object no.	Function	Name	Type	DPT	Flag
491, 498	Forced object operating mode feedback	Disabling function <i>n</i> - controller extension - input	1 byte	20,102	C, -, W, -, U

1-byte object for receiving the operating mode of a room temperature controller.

This object is only visible if "Function = operating mode change-over".

Object no.	Function	Name	Type	DPT	Flag
490, 497	Presence function	Disabling function <i>n</i> - controller extension - output	1-bit	1,018	C, -, -, T, -

1-bit object for changing over the presence status of a room temperature controller.

This object is only visible if "Function = presence function".

Object no.	Function	Name	Type	DPT	Flag
491, 498	Presence function feedback	Disabling function <i>n</i> - controller extension - input	1-bit	1,018	C, -, W, -, U

1-bit object for receiving the presence status of a room temperature controller.  
This object is only visible if "Function = presence function".

Object no.	Function	Name	Type	DPT	Flag
490, 497	Preset setpoint shifting	Disabling function <i>n</i> - controller extension - output	2 bytes	9.002	C, -, -, T, -

2-byte object for presetting a basic setpoint shift in Kelvin. The value "0" means that no shift is active. The values can be specified between -670760 K and 670760 K.  
This object is only visible if "Function = Setpoint shift" and "Type of setpoint shift = Via offset (DPT 9.002)".

Object no.	Function	Name	Type	DPT	Flag
491, 498	Current setpoint shifting	Disabling function <i>n</i> - controller extension - input	2 bytes	9.002	C, -, W, -, U

2-byte object for receiving the feedback from the current basic setpoint shift in Kelvin.

This object is only visible if "Function = Setpoint shift" and "Type of setpoint shift = Via offset (DPT 9.002)".

Object no.	Function	Name	Type	DPT	Flag
490, 497	Preset setpoint shifting	Disabling function <i>n</i> - controller extension - output	1 byte	6.010	C, -, -, T, -

1-byte object for presetting a basic setpoint shift. The value "0" means that no shift is active. The value is depicted in a two's complement in the positive or negative direction.

This object is only visible if "Function = Setpoint shift" and "Type of setpoint shift = Via levels (DPT 6.010)".

Object no.	Function	Name	Type	DPT	Flag
491, 498	Current setpoint shifting	Disabling function <i>n</i> - controller extension - input	1 byte	6.010	C, -, W, -, U

1-byte object for receiving the feedback from the current basic setpoint shift.

This object is only visible if "Function = Setpoint shift" and "Type of setpoint shift = Via levels (DPT 6.010)".

## 13.4 Temperature measurement

### Basic principles

The push-button sensor possesses an integrated temperature sensor, using which the room temperature can be detected. Alternatively (e.g. if the push-button sensor has been installed in an unfavourable location or in case of operation in difficult conditions, for example, in a moist atmosphere) or additionally (e.g. in large rooms or halls), a second external sensor linked via bus telegrams can be used to determine the actual value.

Temperature measurement is activated on the "General" parameter page and configured on the "Temperature measurement" parameter page.

When choosing the installation location for the push-button sensor or the external sensors, the following points should be considered:

- The push-button sensor or temperature sensor should not be used in multiple combinations, especially together with flush-mounted dimmers.
- Do not install the temperature sensor in the area of large electrical consumers (avoid heat influences).
- The push button sensor should not be installed in the vicinity of radiators or cooling systems.
- The temperature sensor should not be exposed to direct sun.
- The installation of sensors on the inside of an outside wall might have a negative impact on the temperature measurement.
- Temperature sensors should be installed at least 30 cm away from doors, windows or ventilation devices and at least 1.5 m above the floor.

### Temperature measurement and measured value determination

The push-button sensor features an integrated temperature sensor. This temperature sensor can be used to measure the ambient temperature and forward it to a room temperature controller via the 2-byte object "Actual temperature".

The room temperature measurement can optionally be supplemented with an external sensor. The external sensor is linked to the device (for example an additional push-button sensor or a KNX room temperature controller) via the bus by means of the additional 2-byte communication object "External sensor".

The "Room temperature measurement by" parameter in the "Temperature measurement -> Room temperature measurement" parameter node specifies the sensors to detect the room temperature. The following settings are possible:

- "internal temperature sensor"  
The temperature sensor integrated in the push-button sensor is activated. Thus, the actual temperature value is determined only locally on the device.
- "internal and external temperature sensor"



With this setting the internal as well as the external temperature sensor is active. The external sensor must either be a KNX room temperature controller coupled via the "External sensor" 2-byte object or another bus device with temperature detection.

When evaluating the internal and the external sensors, the real actual temperature is made up from the two measured temperature values. The weighting of the temperature values is defined by the "Creation of measuring value internal against external" parameter. Depending on the different locations of the sensors or a possible non-uniform heat distribution inside the room, it is thus possible to adjust the actual temperature measurement. Often, those temperature sensors that are subject to negative external influences (for example, unfavourable location because of exposure to sun or heater or door / window directly next to it) are weighted less heavily.

Example:

The push-button sensor has been installed next to the entrance door (internal sensor). An additional external temperature sensor has been mounted on an inner wall in the middle of the room below the ceiling.

Internal sensor: 21.5 °C

External sensor: 22.3 °C

Determination of measured value: 30% to 70%

-> TResult internal = T internal · 0.3 = 6.45 °C,

-> TResult external = Texternal = 22.3 °C · 0.7 = 15.61 °C

-> TResult actual = TResult internal + TResult external = 22.06 °C

### Transmission of the temperature

The determined room temperature can be actively transmitted to the bus via the 2-byte "Actual temperature" object.

This parameter "Transmission on room temperature change by" in the "Temperature measurement -> Room temperature measurement" parameter node specifies the temperature value by which the actual value of the temperature measurement has to change in order to have the actual temperature value transmitted automatically via the "actual temperature" object. Possible temperature value changes lie within a range of 0.1 K and 25.5 K. Setting to "0" at this point will deactivate the automatic transmission of the actual temperature.

In addition, the temperature determined by the room temperature measurement can be transmitted cyclically. The "Cyclical transmission of the room temperature" parameter determines the cycle time (1 to 255 minutes). The value "0" will deactivate the cyclical transmission.

Setting the "Read" flag on the "actual temperature" object makes it possible to read out the current actual value at any time over the bus. It has to be pointed out that with deactivated cyclical transmission and deactivated automatic transmission, no more temperature telegrams will be transmitted in case of changes!

### Calibrating the measured values

In some cases during room temperature measurement, it may be necessary to adjust the single temperature values. Adjustment becomes necessary, for example, if the temperature measured by the sensors stays permanently below or above the actual temperature in the vicinity of the sensor. To determine the temperature deviation, the actual room temperature should be detected with a reference measurement using a calibrated temperature measuring device.

The "Calibration" parameter can be used to parameterize the positive (temperature increase between 0.1 and 12.7 K) or negative (temperature decrease between -12.8 and -0.1 K) temperature calibration in 0.1 K increments. Thus, the calibration is only set statically once.

- i** The measured value has to be increased, if the value measured by the sensor lies below the actual room temperature. The measured value has to be decreased, if the value measured by the sensor lies above the actual room temperature.
- i** The "Actual temperature" object is always used to transmit the adjusted temperature value to the bus.  
When determining the measured value using combined sensors, the two adjusted values are used to calculate the actual value.

### 13.4.1 Table of parameters

"General" parameter page

Temperature measurement	activated <b>deactivated</b>
This parameter activates the temperature measurement. Additional parameters and objects become visible.	

"Temperature measurement -> Room temperature measurement" parameter page

Name of the room temperature measurement	Room temperature measurement max. 40 characters long text
This parameter gives the room temperature measurement a name for identification. This name serves merely as an aid in the ETS and is not programmed into the device.	

Room temperature measurement using	internal temperature sensor internal and external sensor (external = via communication object)
The "Room temperature measurement using" parameter specifies the sensors to detect the room temperature.	
"internal temperature sensor": The temperature sensor integrated in the push-button sensor is activated. Thus, the actual temperature value is determined only locally on the device. In this configuration, the feedback control will start directly after a device reset.	
"internal and external sensor": This setting is used to combine the selected temperature sources. The external sensor is coupled via the 2-byte object "External sensor".	

Determination of measured value from internal / external ratio	10% to 90% 20% to 80% 30% to 70% 40% to 60% <b>50% to 50%</b> 60% to 40% 70% to 30% 80% to 20% 90% to 10%
The weighting of the measured temperature value for the internal and external sensors is specified here. That results in an overall value, which will be used for the further interpretation of the room temperature.	
This parameter is only visible with "Room temperature measurement using = internal and external sensor (external = via communication object)"!	

Transmission after room temperature change by	0... <b>0.2</b> ...25.5
Determines the size of the value change of the room temperature in Kelvin after which the current value is automatically transmitted to the bus via the "Actual temperature" object. If set to "0", the actual value will not be transmitted to the bus depending on a room temperature change.	
Cyclical transmission of room temperature	0... <b>15</b> ...255
This parameter specifies whether and at what time in minutes the determined room temperature is to be periodically output via the "Actual temperature" object. If the setting is "0", the current room temperature will not be transmitted cyclically to the bus.	
Adjustment	-12.8... <b>0</b> ...12.7
Determines the value in Kelvin by which the sensor's measured value is adjusted. This parameter is provided for the internal sensor.	

### 13.4.2 Object list

The name of the following objects can be specified by the parameter "Name of the room temperature measurement".

Object no.	Function	Name	Type	DPT	Flag
569	Actual-temperature	Room temperature - output	2 bytes	9.001	C, R, -, T, A
<p>2-byte object for outputting the actual temperature (room temperature) determined by the push-button sensor. Possible value range: -99.9 °C to +99.9 °C / Measuring range of internal temperature sensor: -40 °C to +125 °C.</p> <p>The temperature value is always output in the format "°C".</p>					

Object no.	Function	Name	Type	DPT	Flag
570	External sensor	Room temperature - input	2 bytes	9.001	C, -, W, -, U
<p>2-byte object for coupling an external KNX room temperature sensor or a controller extension. Thus cascading of multiple temperature sensors for room temperature measurement. Possible range of values: -99.9 °C to +99.9 °C.</p> <p>The temperature value must always be specified in the format "°C".</p>					

## 13.5 Transmission delay

The transmission delay is determined by the push-button sensor from the device number of its physical address (phys. address: area.line.device number). The higher the device number of the push-button sensor, the longer its transmission delay. The transmission delay can be up to 30 seconds maximum (device number = 255).

The transmission delay is permanently activated in the push-button sensor. The transmission delay reduces the load on the bus by preventing multiple push-button sensors used in a project from simultaneously attempting to transmit telegrams to the bus. The transmission delay exclusively applies to the 'Read on init' function. 'Read on init' enforces updating of the communication object value using a read request when the device is switched on. Communication objects will perform 'Read on init' if the I flag and the T flag are activated.

After a programming operation (phys. address or application program) or after bus voltage has been activated, the push-button sensor will then attempt to query current values (e.g. operating mode, presence function, setpoint shift) using the corresponding communication objects via the bus, for example from a room temperature controller. The push-button sensor updates its object statuses in this way.

- i** By default, no I flags are activated in the push-button sensor parameterisation.
- i** The transmit delay is not active for the rocker and button functions of the push button sensor.

**Gira**  
**Giersiepen GmbH & Co. KG**  
Elektro-Installations-  
Systeme

Industriegebiet Mermbach  
Dahlienstraße  
42477 Radevormwald

Postfach 12 20  
42461 Radevormwald

Deutschland

Tel +49(0)21 95 - 602-0  
Fax +49(0)21 95 - 602-191

[www.gira.de](http://www.gira.de)  
[info@gira.de](mailto:info@gira.de)