

## Light socket outlet

Order no.: 2688..

## Light socket outlet with lock

Order no.: 2685..

## Operating instructions

### 1 Safety instructions



Electrical devices may only be mounted and connected by electrically skilled persons.

Serious injuries, fire or property damage possible. Please read and follow manual fully.

The product contains a magnet that may interfere with the function of electronic implants, such as pacemakers and insulin pumps.

Persons with electronic implants should not wear the product close to their body, e.g. in trouser or shirt pockets. Maintain a minimum distance of 10 cm between the product and electronic implants.

Risk of suffocation by swallowing small parts. Make sure that the magnets for dismantling a light attachment do not fall into the hands of children.

Danger of electric shock. Always disconnect before carrying out work on the device or load. In so doing, take all the circuit breakers into account, which support dangerous voltages to the device and or load.

The product contains a magnet that can damage electronic devices such as laptops, hearing aids, and data carriers such as credit cards, as well as mechanical watches and speakers. Maintain a minimum distance of 10 cm between the product and any listed devices and data carriers.

These instructions are an integral part of the product, and must remain with the end customer.

### 2 Device components

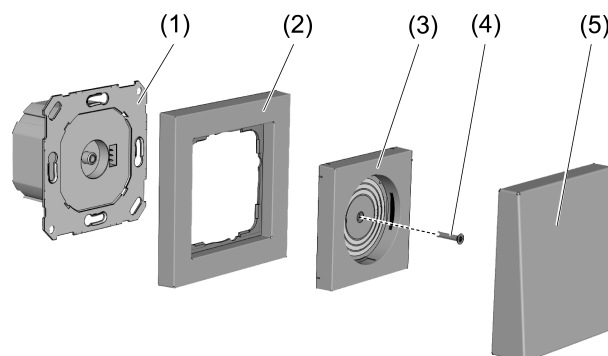


Figure 1

- (1) Flush-mounted insert (scope of supply)
- (2) Frame
- (3) Cover with or without interlock (scope of supply)
- (4) Screw for fastening the cover (scope of supply)
- (5) Light attachment (example)

**i** The light socket is the combination of a Plug & Light cover (3) and flush-mounted Plug & Light insert (1).

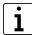
### 3 Intended use

- Ballast for switching and dimming Plug & Light light attachments
- Connection to switch, switch inserts with relay contact, electronic switch inserts (trailing edge phase control principle), 2-wire LED dimmer (trailing edge phase control principle) and 3-wire LED dimmer (trailing edge phase control principle)
- Compatible with the system 55 switch range
- Mounting in appliance box according to DIN 49073

### 4 Product characteristics

- Magnetic fixing of light attachments
- Mechanical interlock of light attachments for ceiling mounting or as theft protection (only order no. 2685 ...)
- Automatic detection of the connected light attachments
- Electrical coupling via gold-plated sliding contacts
- Safe extra low voltage SELV DC

### 5 Cleaning

-  Do not insert any conductive materials into the light socket, e.g. steel sponge.  
Wipe the light socket with a dry cloth.

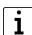
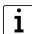
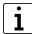
### 6 Information for electrically skilled persons



#### **DANGER!**

Mortal danger of electric shock.  
Disconnect the device. Cover up live parts.

#### Connecting the device

-  For dimmers with multiple outputs, do not switch outputs in parallel.
-  Do not connect any power boosters when using dimmers.
-  Observe clampable conductor cross-section (Figure 5).
  - Connect the flush-mounted Plug & Light insert (1) for dimmable light attachments according to the following connection diagrams:
    - LED dimmer with 2-wire connection (6) (Figure 2)
    - LED dimmer with 3-wire connection (7) (Figure 3)
  - Connect the flush-mounted Plug & Light insert (1) for non-dimmable light attachments according to the following connection diagram:
    - Switch insert (8) (Figure 4)

The maximum number of light sockets per circuit depends on the circuit breaker used and on the actuator to which the light sockets are connected. For dimensioning, the information in the following tables must therefore be taken into account.

#### Max. number of light sockets per circuit related to the actuator used:

Actuator	Max. number
Dimmers and electronic switch inserts with LED load up to 400 W	40*
Dimmers and electronic switch inserts with LED load up to 200 W	20*
Switch inserts with relay contact with LED load up to 400 W	40*

\*The maximum number of light sockets to be connected refers exclusively to switches and dimmers from our company.

**Maximum number of light sockets per circuit related to the circuit breaker:**

Circuit breaker	Max. number
B10	30
B16	40
C16	40

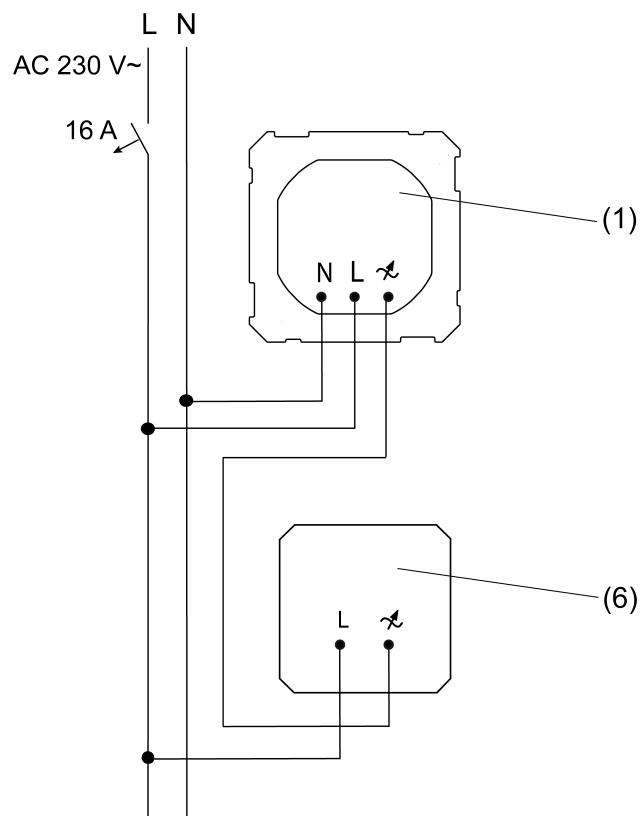


Figure 2: For dimmable light attachments: Connection diagram for LED dimmer 2-wire (6)

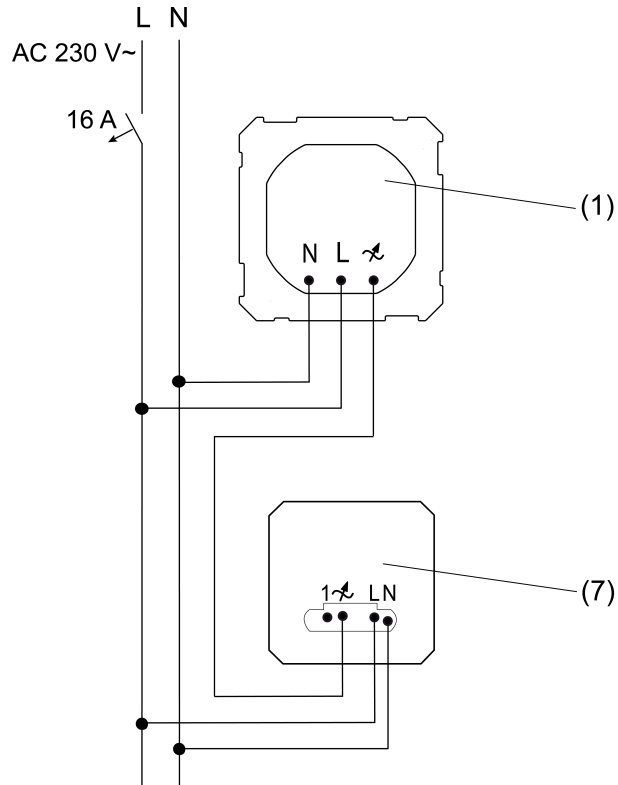


Figure 3: For dimmable light attachments: Connection diagram for LED dimmer 3-wire (7)

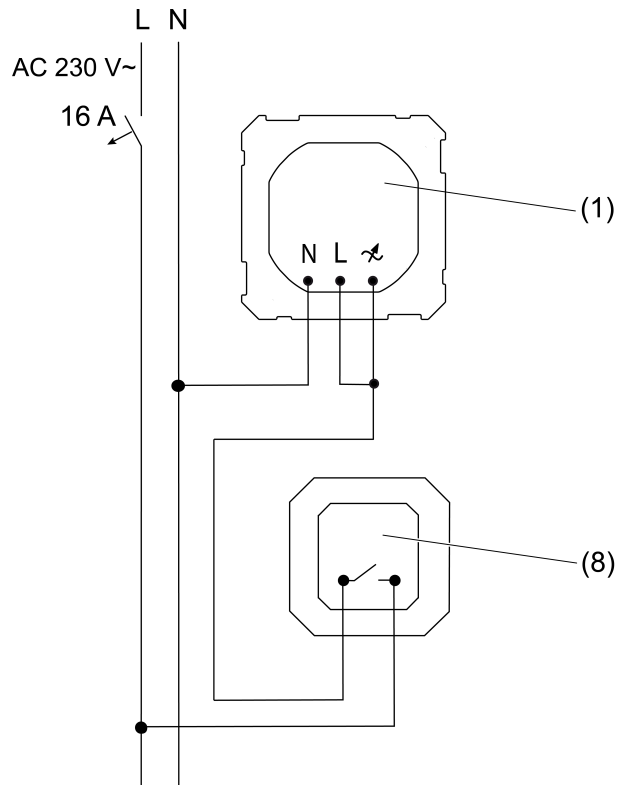


Figure 4: For non-dimmable light attachments: Connection diagram for switch insert (8)

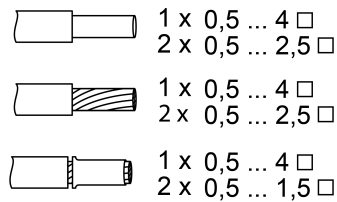


Figure 5: Clampable conductor cross-section

## Fitting the device

- i** Recommendation: Use deep appliance box.
- Install flush-mounted insert in appliance box so that the device connection terminals are at the bottom.
- Mount the frame and cover and attach the light attachment (Figure 1).
- Switch on mains voltage.

## 7 Dismantling

Dismantling a light attachment is explained using an example.

### Dismantling a light attachment (without interlock)

- Remove light attachment.
- i** Tilting the light attachment downwards will make it easier to pull out.

### Dismantling a light attachment (with interlock)

The mechanical locking must be unlocked by means of a magnet (accessory).

- Rotate the light attachment by 45° to expose the marking (9) (Figure 6).
- Place the magnet (10) at the level of the marking (9) on the cover until a click is heard.
- Remove light attachment.

- i** Do not remove the magnet until the light attachment has been removed.

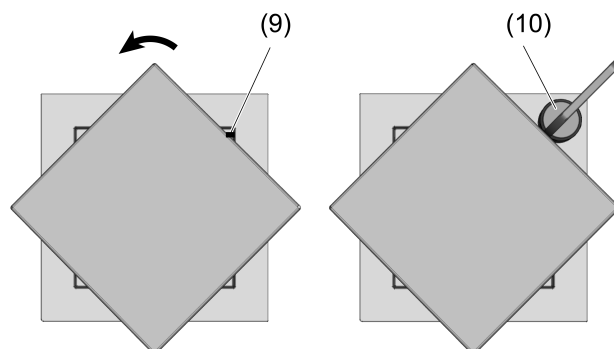


Figure 6

## 8 Technical data

Rated voltage	AC 230 V~
Mains frequency	50 / 60 Hz
Input current	typ. 75 mA
Switch-on current (for 40 light sockets connected)	max. 156 A
Power factor	typ. 0.6C
Efficiency	approx. 79%
Apparent power	approx. 16.2 VA

Light socket outlet, Light socket outlet with lock

Standby power (without light attachment and dimmer)	380 mW
Input capacity	3 $\mu$ F
<b>Output:</b>	
Connected load	max. 8 W
Output voltage	12 V +/- 600 mV
Degree of protection	IP20
Protection class	II
Housing temperature (tc)	max. 80 °C
Ambient temperature	+5 ... +35 °C
Storage/transport temperature	-25 ... +70 °C
Rel. humidity (storage/transport)	max. 93% (without condensation)

The symbol © indicates devices with double or reinforced insulation.

## 9 Warranty

The warranty is provided in accordance with statutory requirements via the specialist trade. Please submit or send faulty devices postage paid together with an error description to your responsible salesperson (specialist trade/installation company/electrical specialist trade). They will forward the devices to the Gira Service Center.

**Gira**  
**Giersiepen GmbH & Co. KG**  
 Elektro-Installations-  
 Systeme

Industriegebiet Mermbach  
 Dahlienstraße  
 42477 Radevormwald

Postfach 12 20  
 42461 Radevormwald

Deutschland

Tel +49(0)21 95 - 602-0  
 Fax +49(0)21 95 - 602-191

www.gira.de  
 info@gira.de