

**EnOcean wireless wall transmitter**

1-gang 2421 ..

2-gang 2422 ..

**GIRA**

Gira  
Giersiepen GmbH & Co. KG  
Elektro-Installations-  
Systeme

Industriegebiet Mermbach  
Dahlienstrasse  
42477 Radevormwald, Germany

Postfach 12 20  
42461 Radevormwald

Germany

Tel +49(0)21 95 - 602-0

Fax +49(0)21 95 - 602-191

www.gira.de

info@gira.de



10868410 / 22/06/2021

**EnOcean wireless wall transmitter**

**Safety information**



Electrical devices may only be installed and connected by a qualified electrician.

Serious injury, fire or damage to property possible. Read and observe these instructions completely.

Wireless transmission takes place via a non-exclusive transmission path and is thus not suitable for applications in the security technology sector such as emergency-off or emergency calls.

These instructions are part of the product and must stay with the customer.

**Device components**

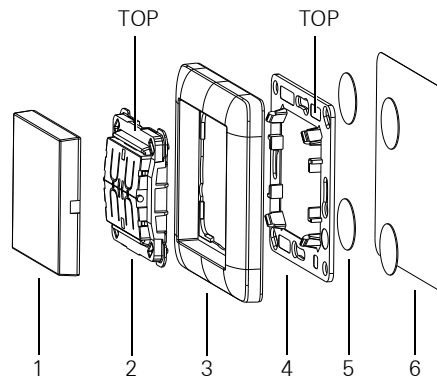


Figure 1

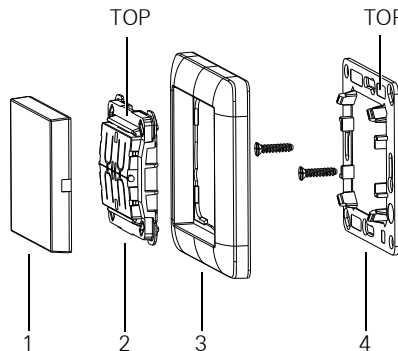


Figure 2

- 1 Rocker 1-gang or 2-gang
- 2 Wireless module
- 3 Cover frame
- 4 Base plate
- 5 Adhesive dots
- 6 Adhesive film

**Function**

**System information**

This device is part of the EnOcean system. The range of a wireless system depends on various external factors. This range can be optimised by the ideal choice of the installation site.

Materials	Penetration
Wood, plaster, plasterboard	approx. 90%
Brick, press board	approx. 70%
Reinforced concrete	approx. 30%
Metal, metal grids	approx. 10%
Rain, snow	approx. 1 to 40%

**Intended use**

- Wireless transmitter for the transmission of switching, dimming and blind commands to a wireless receiver of the EnOcean wireless system.
- Installation on device box in compliance with DIN 49073 or on smooth, level surfaces using screws or adhesive bonding.

**Product properties**

- Battery-free device without external power supply.
- The transmission energy is generated from mechanical energy by actuating the rocker.
- Encrypted wireless transmission possible.

**Operation**

**Transmitting wireless telegrams**

- Press and release the rocker (1) to send a wireless telegram.

**Installation**

To achieve good transmission quality, ensure sufficient distance to possible sources of interference, e.g. metal surfaces, microwave ovens, hi-fi systems, TV sets, ballasts and electronic transformers.



**Note**

A higher contact pressure is required for initial installation. Observe TOP designation.

### Adhesive mounting (Figure 1)

- Ensure that the surface is clean, free of grease and able to bear the load.
  - Apply the adhesive film (6) beforehand in the case of transparent surfaces.
  - Apply adhesive dots (5) to the surface or to the adhesive film (6) in the case of transparent surfaces.
  - Press the baseplate (4) onto the adhesive dots.
- [8] Pay attention to the mounting direction of the base plate (TOP marking).
- Place the cover frame (3) onto the baseplate.
  - Attach the wireless module (2).
  - Attach the rocker (1).

### Screw mounting (Figure 2)

- Mount the baseplate (4) on a device box or directly on the wall.
- [8] Pay attention to the mounting direction of the base plate (TOP marking).
- Place the cover frame (3) onto the baseplate.
  - Attach the wireless module (2).
  - Attach the rocker (1).

## Start-up

The following operating modes are available:

- Unencrypted transmission, as delivered.
- Explicitly encrypted transmission.
- Implicitly encrypted transmission. This operating mode should only be used if older wireless receivers do not support the explicit operating mode.



#### Note

The wireless module can only work in one of the operating modes. The wireless module and all wireless receivers must have the same operating mode.

### Wireless module

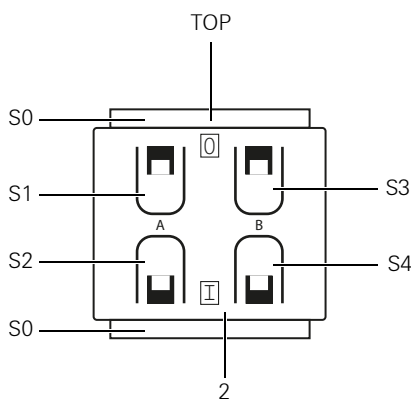


Figure 3

S0 Power button

S1-S4 Function buttons

## Connect wireless wall transmitter with wireless receiver

In order for a wireless receiver to understand a wireless telegram from the wireless wall transmitter, this wireless wall transmitter must be connected to the wireless receiver (see instructions for wireless receiver).

### Operating mode: Unencrypted transmission

- Activate programming mode on the wireless receiver (see instructions for wireless receiver).
- Press and release the rocker (1) to send a wireless telegram.

### Operating mode: Explicit encrypted transmission

- Remove rocker (1) from wireless module (2).
- Activate mode for encryption on the wireless receiver (see instructions for wireless receiver).
- Press and hold down function buttons (S1+S2+S3).
- Press power button (S0) twice.
- Place rocker (1) on wireless module (2).
- Activate programming mode on the wireless receiver (see instructions for wireless receiver).
- Press and release the rocker (1) to send a wireless telegram.

### Operating mode: Implicit encrypted transmission

[8] Only use this operating mode if the wireless receiver does not support explicit encryption.

- Remove rocker (1) from wireless module (2).
- Activate mode for encryption on the wireless receiver (see instructions for wireless receiver).
- Press and hold down function buttons (S1+S2).
- Press power button (S0) twice.
- Place rocker (1) on wireless module (2).
- Activate programming mode on the wireless receiver (see instructions for wireless receiver).
- Press and release the rocker (1) to send a wireless telegram.

### Restoring the delivery state

- Remove rocker (1) from wireless module (2).
  - Press and hold down function buttons (S1+S2+S3+S4).
  - Press power button (S0) twice.
- Operating mode "unencrypted transmission" is set.

## Technical data

Wireless frequency	868.3 (ASK)
Transmission range	
in free field:	up to 300 m
in buildings:	approx. 30 m
Ambient temperature:	-25 to +65 °C
Humidity:	0 to 95% (no condensation)

## Conformity

Gira Giersiepen GmbH & Co. KG hereby declares that the wireless system type, item no. 2421 .. and 2422 .., conforms to Directive 2014/53/EU. The complete item number can be found on the device. The complete text of the EU declaration of conformity is available at the following Internet address:

[www.gira.de/konformitaet](http://www.gira.de/konformitaet)

## Warranty

The warranty is provided in accordance with the statutory requirements via the retailer.

Please submit or send faulty devices postage paid and with a fault description to your sales representative (retailer / installation company / electronics retailer).

They will forward the devices to the Gira Service Centre.