

Operating instructions

DALI flush-mounted rotary dimming insert with integrated power supply unit

Order no. 2027 00

DALI flush-mounted rotary dimming insert

Order no. 2026 00



Table of contents

1	Safety instructions	3
2	Device components	3
3	Intended use	3
4	Product characteristics	4
5	Functional description	4
6	Operation	5
7	Information for electrically skilled persons	7
	7.1 Mounting and electrical connection.....	7
	7.2 Commissioning without programming.....	8
	7.3 Commissioning via DALI programming device or central control	10
8	Technical data	11
9	Programming	12
10	Troubleshooting	15
11	Warranty	15

1 Safety instructions



Electrical devices may be mounted and connected only by electrically skilled persons.

Serious injuries, fire or property damage are possible. Please read and follow the manual fully.

Danger of electric shock. Always disconnect before carrying out work on the device or load. In so doing, take all the circuit breakers into account, which support dangerous voltages to the device and or load.

These instructions are an integral part of the product, and must remain with the customer.

2 Device components

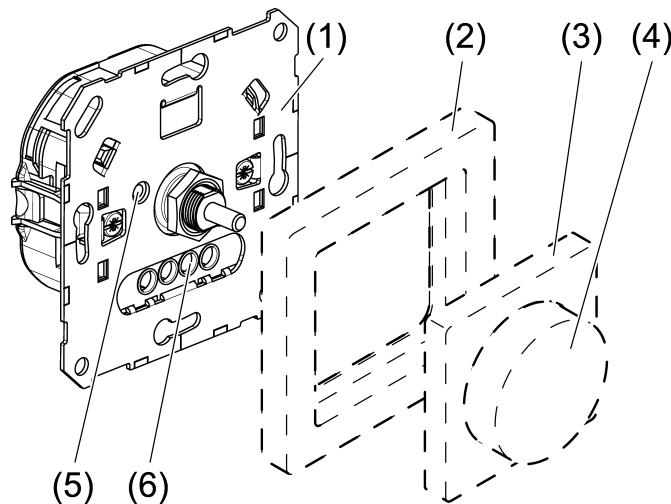


Figure 1: Device components

- (1) DALI flush-mounted rotary dimming insert with integrated power supply unit
- (2) Cover frame
- (3) Central plate
- (4) Control knob
- (5) LED
- (6) Screw terminals

3 Intended use

- Brightness setting for luminaires with DALI interface
- Setting the colour temperature for luminaires with DALI Device Type 8 for Tunable White in accordance with IEC 62386-209
- Rotary control point (input device) for higher-level DALI-2 controllers
- Mounting in appliance box with dimensions according to DIN 49073

4 Product characteristics

Product characteristics without programming

- Certified DALI-2 control device to IEC62386-101, 103, 301, 302
- DALI flush-mounted rotary dimming insert with integrated power supply unit: DALI-2 application controller with integrated bus power supply for up to 26 DALI subscribers
- Parallel switching of up to 4 DALI rotary dimming inserts with bus power supply, with the option of supplying up to 104 DALI subscribers.
- DALI flush-mounted rotary dimming insert: DALI-2 application controller without bus power supply requires an external DALI power supply in accordance with IEC 62386-101
- Multi-master capable; several control units can be installed as application controllers in a DALI system
- LED for device localization
- DALI power supply, short-circuit proof
- Saving of basic brightness and switch-on brightness
- Saving of colour temperature limiting values

Further product characteristics through programming via DALI-2 control commands

- Suitable as a rotary control point (input device) for connection to central DALI-2 controls
- Supports four DALI-2 instances for adaptation to central control
- Can be used to control a DALI-2 group
- Cyclical transmission of control commands to DALI operating devices can be activated

Behaviour after a mains voltage failure

In the broadcast and group control operating modes, the lighting is switched to the brightness and colour temperature present before the mains voltage failed.

If the device functions as an input device, the behaviour on the mains voltage return is determined by the higher-level DALI-2 controller.

5 Functional description

Operating modes

The device can be operated in different operating modes.

Broadcast control (factory settings):

The device functions as an application controller. Broadcast telegrams are sent out that apply to all devices connected in the DALI system. These include switching and setting the brightness/colour temperature of the lighting and setting the switch-on

brightness.

If there are multiple control points, saved settings are automatically adopted by the other control points.

Input device (programming necessary):

The device no longer sends control commands to DALI operating devices, but rather only telegrams to a higher-level DALI-2 controller. This control analyses the pressing or turning movements and then forwards control commands to the lighting.

To switch to this operating mode, the Application Controller must be deactivated via a DALI-2 control command. This is done using a DALI-2 programming device or a higher-level controller.

Group control (programming necessary):

The device sends telegrams as with broadcast control, but only in relation to the group.

To access this operating mode, the Operating mode of the device must be changed using a DALI-2 programming device (see Programming chapter). This is also done via DALI-2 control commands.

The group set in operating mode must correspond to the group of luminaires that is to be operated.

If another device is to be used as a control point for this DALI group, the Application Controller must be deactivated for this device so that it functions as Input device (see chapter "Programming" ▶ Page 14).

In order for the two devices to understand each other, the same Device Group must be programmed for both devices.

Cyclical transmission

In the as-delivered state, the device only sends control telegrams to DALI operating devices during operation.

However, there are also project designs in which it is desired for sent control telegrams to be repeated cyclically. During cyclical transmission, the control device that was operated last repeats the brightness and colour temperature on the DALI bus at 5-second intervals. This means that, for example, groups of luminaires or individual luminaires that have been enabled can light up again with the same brightness when the voltage is switched on, without any intervention required.

Cyclical transmission can be activated by programming the Operating mode (see Programming chapter).

6 Operation

The operation described applies to the as-delivered state for all connected subscribers (broadcast). If the device is programmed via a DALI programming tool or integrated into a central control, the settings programmed there apply.

Switching the light

- Press the control knob.

Adjusting the brightness

- Turn the control knob.

Turn slowly = Brightness change small

Turn quickly = Brightness change great

Setting the colour temperature

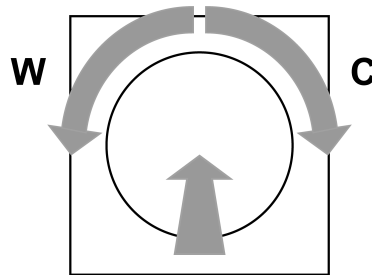


Figure 2

- Turn pressed control knob.
 - Turn left (W) = warmer light (reduce colour temperature)
 - Turn right (C) = colder light (increase colour temperature)

Saving the switch-on brightness

If the lighting is not always to be switched on with the same brightness, then this can be saved as a switch-on brightness.

- Switch on light.
- Set required switch-on brightness.
- Press the control knob briefly twice in succession (double-click).

The lighting briefly switches to maximum brightness twice. The switch-on brightness is saved.

If the lighting switches off after the double-click, then the time between the first and second presses was too long.

Deleting the switch-on brightness

- Switch the light off.
- Press the control knob briefly twice in succession (double-click).

After about 2 seconds the lighting switches to maximum brightness.

The switch-on brightness has been deleted. When the lighting is switched on, that brightness is set which existed the last time it was switched off.

7 Information for electrically skilled persons



DANGER!

Electric shock when live parts are touched.

Electric shocks can be fatal.

Always disconnect before carrying out work on the device or load. To do so, switch off all corresponding circuit breakers, secure them against being switched on again and check that there is no voltage. Cover up any adjacent live parts.

7.1 Mounting and electrical connection

Connecting and fitting the device

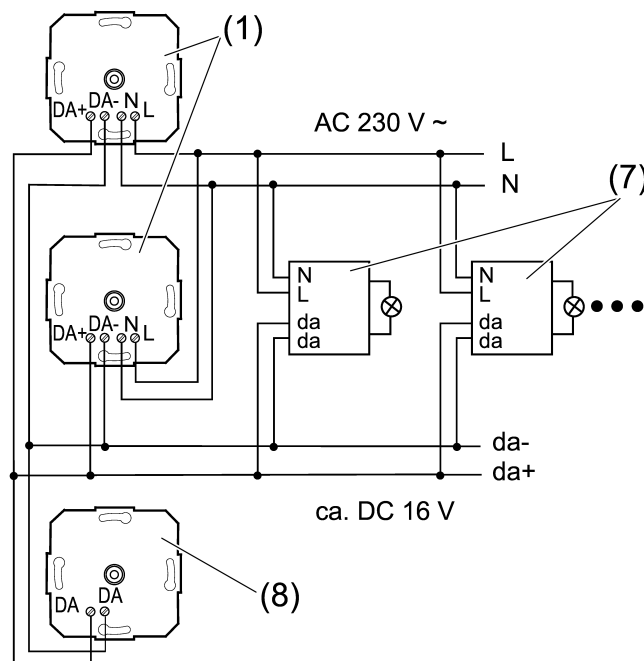


Figure 3: Broadcast mode connection example

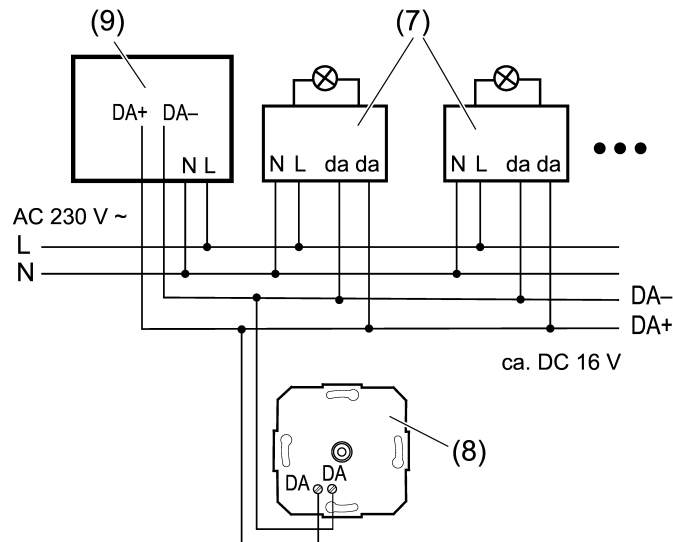


Figure 4: Connection diagram, operation as input device

- (1) DALI flush-mounted rotary dimming insert with integrated power supply unit 2027 00
- (7) DALI subscriber e.g. DALI-EVG, DALI Device Type 8 for Tunable White
- (8) DALI flush-mounted rotary dimming insert 2026 00
- (9) Central control, e.g. DALI Gateway Colour (from Firmware version 2.0.0 and application programme version 2.2)

Control cable: appropriate type, cross-section and routing for the specifications for 230 V cables. DALI and mains voltage wires can be run together in a cable, e.g. NYM 5x1.5 mm². The connected DALI subscribers may be operated on different phases.

- Connect DALI flush-mounted rotary dimming insert with integrated power supply unit, DALI flush-mounted rotary dimming insert and DALI electronic ballast according to the connection examples (see figure 3) and (see figure 4). In so doing, observe the data of the electrical ballast manufacturer.
 - If multiple circuit breakers supply dangerous voltages to the device or load, couple the circuit breakers or label them with a warning to ensure tripping.
- i** A combination of DALI flush-mounted rotary dimming insert with integrated power supply unit and an external power supply is not permitted. If an external power supply is used, e.g. via a central control unit, the power supply must not be connected to the rotary control device (see figure 4).

7.2 Commissioning without programming

The device can be put into operation without an external programming tool or central control. It then controls all connected DALI broadcast operating devices. The following settings are optionally available for broadcast control or group control.

- i** If there are multiple control points, saved settings are automatically adopted by the other control points.

Saving a basic brightness

The basic brightness should be set to a state that does not directly lead to an increase in brightness when turning the DALI rotary dimming insert at minimum brightness.

- Set lighting to minimum brightness.
- Turn the DALI rotary dimming insert to the point that where the brightness begins to increase.
- Press the control knob for longer than 10 seconds.

The lighting switches briefly off and on again. The basic brightness is saved.

Saving colour temperature limiting values

The setting range of the DALI rotary dimming insert can be adjusted to the colour temperature of the luminaire with this setting.

When saving the colour temperature, you must ensure that the last turn of the pressed control knob (see figure 2) is made to the left for the warmest light colour (W) and to the right for the coldest light colour (C).

- Turn pressed control knob to the left (W) until reaching the warmest light colour required, and hold it in this position for more than 10 seconds.

The light switches off three times and then switches on again. The warmest light colour is saved.

- Turn pressed control knob to the right (C) until reaching the coldest light colour required, and hold it in this position for more than 10 seconds.

The light switches off three times and then switches on again. The coldest light colour is saved.

Deleting the basic brightness and colour temperature limiting values

- Switch the lighting off.
- Press the control knob for longer than 10 seconds.

Briefly switch the lighting to maximum brightness and then off again. The stored values are deleted.

i In broadcast operation, a DALI reset is also sent to the DALI bus during deletion so that other DALI rotary dimming insert also reset the limit values. This reset also resets the settings for all other operating or control devices on the DALI bus.

i DALI subscribers of different manufacturers may deviate from the acknowledgements given here.

7.3 Commissioning via DALI programming device or central control

For operation of the device exclusively for control of a DALI group or for integration as Input device in a higher-level controller, programming with an external device is required (e.g. DALI USB interface art. no. 24138923 from Lunatone).

If the DALI rotary dimming insert is addressed during commissioning via the DALI-2 command "Identify device", the integrated LED lights up for 10 seconds to identify the device.

Group control

An external DALI-2 programming device can be used to set the controller of a specific group of luminaires by changing Operating mode (see programming Operating mode).

If a second device is to be used for control of this group, the same Device-Group must be set for this device as for the first device. However, the Application controller must also be deactivated so that this device functions as Input device (see Table : Programmierbeispiel) [► Page 14]).

Input device

In order to use the device purely as an input device for a higher-level controller, the device can be optimally commissioned with the higher-level controller, such as a DALI Gateway Colour (from firmware version 2.0.0 and application program version 2.2).

This requires deactivating the Application controller and setting the instances. This activates the command set that is understood by the higher-level controller (see Programming chapter).

8 Technical data

DALI flush-mounted rotary dimming insert with integrated power supply unit

Rated voltage	AC 230 V ~
Mains frequency	50 / 60 Hz
Power consumption	Max. 2 W
Ambient temperature	-5 ... +45 °C
Rated voltage DALI	DC 16 V (typ.)
Permitted bus power	Max. 250 mA
Guaranteed bus power	52 mA
Short-circuit current	Max. 61 mA
Colour temperature setting	2000 ... 10000 K
Number of DALI subscribers	max. 26
Number of active DALI rotary dimming inserts	max. 4
Installation depth	approx. 24 mm

DALI flush-mounted rotary dimming insert

(external DALI power supply required in accordance with IEC 62386-101)

Rated voltage DALI	DC 16 V (typ.)
Current consumption	Max. 4 mA
Ambient temperature	-5 ... +45 °C
Colour temperature setting	2000 ... 10000 K
Installation depth	approx. 24 mm

Clampable conductor cross-section (see figure 5)

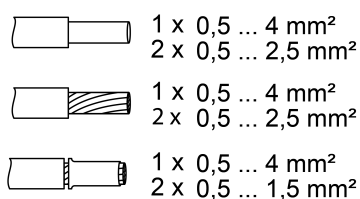


Figure 5: Clampable conductor cross-section

9 Programming

Programming the operating mode

In Operating mode, you can set whether the device sends broadcast telegrams or transmits telegrams exclusively to an operating device group.

Both operating modes can work with or without cyclical transmission. When cyclical transmission is active, the telegrams are repeated at 5-second intervals.

With DALI-2 control commands, the Operating mode is set once using an external DALI-2 programming tool. Here, the following two DALI-2 commands must be sent to the bus:

- The "DTR0" command is used to write the telegram of the desired operating mode, which is listed in the following table, to the register of the DALI rotary dimming insert.
- The "SET OPERATING MODE" command is used to transfer the operating mode from the register to the main memory of the device.

The device supports the following operating modes

Operating mode	Telegrams (hexadecimal)
Broadcast no cyclical transmission (factory setting)	00
Group mode, Group0, cyclical transmission	80
Group mode, Group1, cyclical transmission	81
Group mode, Group...15, cyclical transmission	... 8F
Group mode, Group0, no cyclical transmission	90
Group mode, Group1, no cyclical transmission	91
Group mode, Group15, no cyclical transmission	... 9F
Broadcast, cyclical transmission	00

Programming as Input device: Instances

If the device is operated as an Input device, programming must be used to define which commands are transferred to central control. With DALI-2, this occurs via so-called instances. Depending on the central control, one or more instances are activated during programming. Each time the device is operated, an "event" is triggered, which is analysed by the central control.

Four instances can be activated in our device.

If the central control is another DALI rotary dimming insert which controls an operating device group as Application Controller, instances 0 and 2 must be activated and instances 1 and 3 deactivated (see Table : Programmierbeispiel [▶ Page 14]□).

Instance 0 = instance type 1 (push button):

This DALI-2 standard instance type is used to transmit the command to press the operating button to a central control. This instance should always be active if DALI devices are to be switched by pressing the button.

The following table shows which events are possible in this instance.

Event name	Telegram (binary)
Button released	00 0000 0000
Button pressed	00 0000 0001
Brief press	00 0000 0010
Double press	00 0000 0101
Long press, start	00 0000 1001
Still pressed	00 0000 1011
Long press, stop	00 0000 1100
Button free	00 0000 1110
Button jammed	00 0000 1111

Instance 1 = Instance type 0 (Generic => Rotate with relative values)

Instance type 0 is an instance that is specified by the manufacturer. The instance evaluates the rotary operation of the control knob. Turning the control knob generates telegrams analogous to the direction of the rotary motion, thus enabling relative dimming. The following table provides information about the control telegrams.

If several instances of instance type 0 are activated, operating errors occur.

Event name	Telegram (binary)
Clockwise rotation starts	00 0000 0000
Anti-clockwise rotation starts	00 0000 0001
Stop rotation	00 0000 0010

Instance 2 = Instance type 0 (Generic => Rotate with relative values)

Similar to instance 1, instance 2 assesses the rotary motion of the control knob. However, not just the direction of rotation is transmitted here, the speed of rotation is as well.

Activation of this instance is necessary to ensure rotary operation as in broadcast operation.

Event name	Telegram (binary)
Stop rotation	00 0000 0000
Turn quickly clockwise	00 0000 0001
Slowly rotate clockwise	00 0000 0010
Rotate clockwise in increments	00 0000 0011
Quickly rotate anti-clockwise	00 0000 0100

Event name	Telegram (binary)
Slowly rotate anti-clockwise	00 0000 0101
Rotate anti-clockwise in increments	00 0000 0110

Instance 3 = Instance type 2 (analogue input => turning with absolute values)

This is a DALI-2 standard instance type. Absolute position values are sent with the rotary motion. The values are changed in large increments for a fast rotary motion and in small increments with a slow rotary motion. Once the maximum or minimum value has been reached, the same value is always sent for a further rotary motion.

Programming example

The following programming steps are necessary to realise group control via two control points:

Device 1 (master)	DALI command	Input example	Meaning
Application Controller must be activated (factory settings)			This device sends control commands for the luminaires.
Assigning a device to a DALI group of luminaires	"DTR0" "SET OPERATING MODE"	Group 1 = 91 (Hex)	The group number is written to the DTR0 register of the device and transferred to Operating Mode in the second step.
Saving setting permanently	"SAVE PERSISTENT VARIABLES"		If saving is not possible, the setting will be lost after a power failure.
Assigning device to a DALI-2 control device group			The devices communicate through using this group.

Device 2 (slave)	Instance	Event filter	Meaning
Deactivate application controller			The device no longer sends commands directly to luminaires.
Assign device 2 to the same DALI-2 control device group as device 1			This means that device 1 understands the operation of device 2 and can control luminaires.
Parameterise instances	Instance 0 Event scheme: Device group addressing	Activate button released Activate button pressed	This setting causes the button press to be analysed.

Device 2 (slave)	Instance	Event filter	Meaning
		Deactivate all other schemes	
	Deactivate instance 1 Activate instance 2 Event scheme: Device group addressing Deactivate instance 3		This setting causes the rotary movement to be analysed.

10 Troubleshooting

The colour temperature cannot be changed

Cause 1: Before saving the colour temperature limiting values, the control knob was turned in the wrong direction.

Delete basic brightness and colour temperature limiting values. Then repeat the save procedure.

Cause 2: The activated luminaire does not include a DALI Device Type 8 for Tunable White in accordance with IEC 62386-209.

Exchange DALI subscriber.

Group control of the luminaires is no longer possible

Cause: A DALI-2 reset has been triggered by a DALI rotary dimming insert operating in broadcast control mode. As a result, the group membership of the operating devices was deleted.

The groups must be programmed again.

11 Warranty

The warranty is provided by the specialist trade in accordance with statutory requirements. Please submit or send faulty devices postage paid together with a fault description to your responsible salesperson (specialist trade / installation company / electrical specialist trade). They will forward the devices to the Gira Service Center.

Gira
Giersiepen GmbH & Co. KG
 Elektro-Installations-
 Systeme

Industriegebiet Mermbach
 Dahlienstraße

42477 Radevormwald

Postfach 12 20
42461 Radevormwald

Deutschland

Tel +49(0)21 95 - 602-0
Fax +49(0)21 95 - 602-191

www.gira.de
info@gira.de