

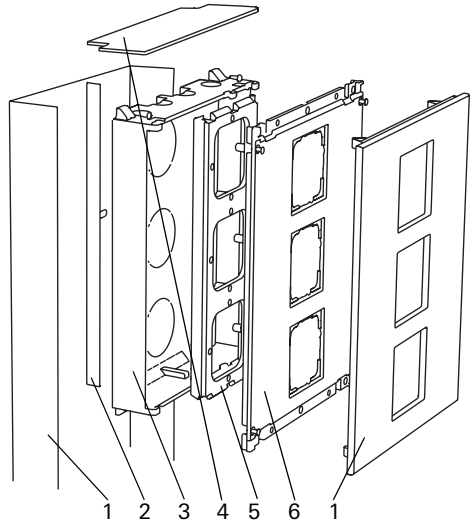
Mounting Instructions

Modular Function Profile
1371 00, 1372 00, 1373 00

GIRA

Device description

Several individual devices with a uniform design can be installed together on the wall in the modular function profile. Thanks to the modular design, the installation can easily be expanded or changed.



Legend

- 1 Installation profile made of aluminium
- 2 Bulkhead wall made of plastic
- 3 Device box made of plastic
- 4 End cap made of plastic
- 5 Device carrier made of plastic
- 6 Carrier plate made of plastic
- 7 Front panel made of glass

Mounting installation profile

Selecting the installation site

Only mount the modular function profile on flat surfaces. When mounting on rough walls, there is a danger of the installation profile becoming deformed during screwing on, which could result in different gap dimensions between the glass cover plates.



Attention

Installation and mounting of electrical devices may only be carried out by a qualified electrician.



Electrical isolation

In accordance with VDE 0100 and VDE 0800, cables and devices operated with protective low voltage must be laid/installed separate from cables and devices which carry the mains voltage (230 V).

If this is not possible, a secure separation must be provided (bulkhead wall, device panel box).

Vertical installation

The installation profile is mounted vertically. The mounting direction (top/bottom) of the installation profile can be selected as desired. Turning the installation profile varies the positions of the supply wire inlets. Therefore, select the mounting direction based on your individual situation.

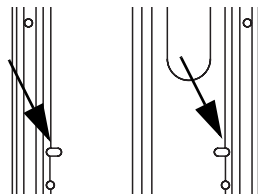


Notes on installation

When mounting the installation profile, ensure sufficient space at the ends, as the end caps must be fitted at the end of mounting. Therefore, fit the end caps when marking the drilling holes. If the function profile is installed flush to the ceiling or floor, you should install the top or bottom device panel box in the installation profile before mounting on the wall.

For installation, carry out the work steps in the order shown:

1. Mark the mounting holes, drill (6 mm) and insert the dowels provided.



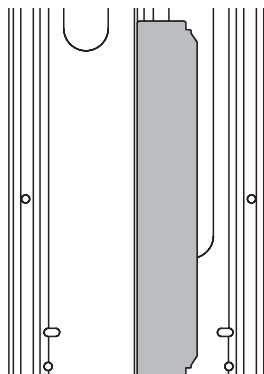
Mounting holes

The installation profile is mounted on the horizontal oblong holes.

If the specified mounting holes are insufficient, you can drill additional holes in the profile. In this case, the groove serves as a drilling aid.

Do not use the round holes at the ends of the profile for mounting. These are used for securing the end caps later.

2. Guide in the supply wires and mount the installation profile on the wall with the screws provided.
3. If electrical isolation (mains/low voltage) is required, insert the bulkhead wall in the profile (high bulkhead wall under blind cover plates, low bulkhead wall under device units).



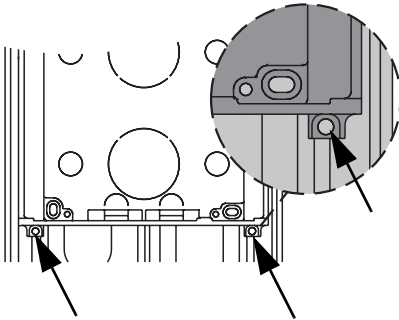
To install a complete device, e.g. the Gira radio controller, please continue reading on Page 5. The installation of a device unit is described in the following.

Installation of a device unit

Mount the installation profile as described on Page 3 and continue mounting as follows:

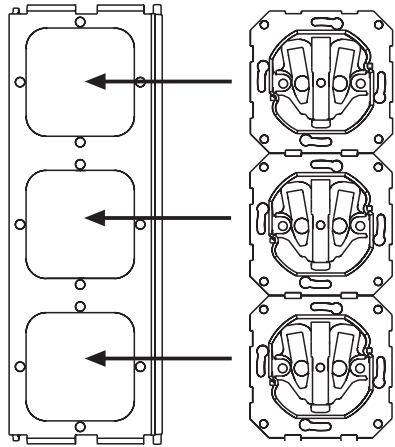
4. Break out the required wire inlets on the device box.
5. Strip the supply wires and guide them into the device box.
6. Insert the device box into the installation profile and fasten it to the profile with the four screws.

When inserting the device box, make sure that the pins of the device box engage in the corresponding holes of the profile. This ensures that the 240 mm dimension required for the glass cover plates is complied with.

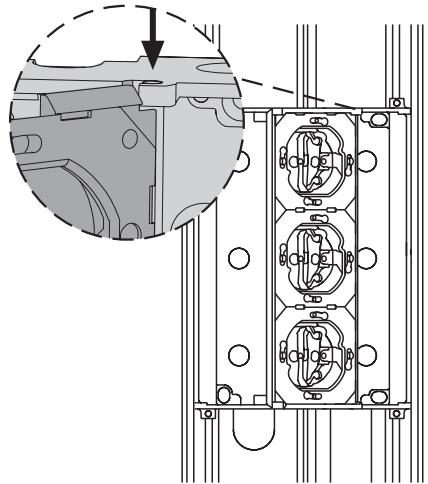


7. Close the oval openings of the device box with the blind plugs provided.
8. Insert the bulkhead wall in the device box when installing a device unit with two device carriers or six devices and the required electrical isolation of low and mains voltage.
9. Insert the flush-mounted inserts in the device carrier and fasten them with the screws provided. The claws can remain on the flush-mounted inserts.

When simultaneously installing low and mains-voltage devices in **one** device carrier, the device panel boxes provided must be used for electrical isolation. In this case, remove the claws of the flush-mounted inserts beforehand.



10. Hang the device carrier in the device box on the side (with two device carriers) or in the centre (with one device carrier).

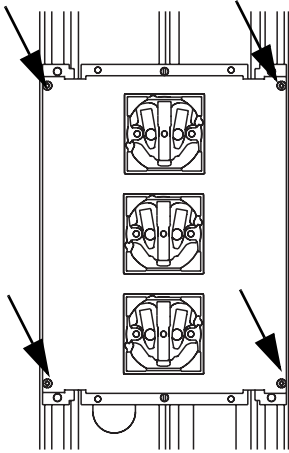


11. Connect the flush-mounted inserts and fold the device carrier closed.
12. Lay on the carrier plate and fasten it on the installation profile with the four screws provided.

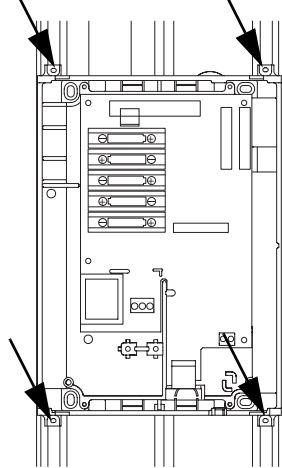
Installing a complete unit

Mount the installation profile as described on Page 3 and continue mounting as follows:

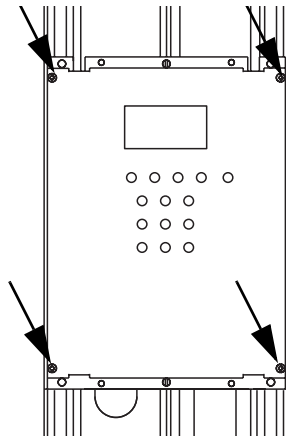
4. Open the required wire inlets on the device box, strip and guide in the supply wires.
5. Insert the device box into the installation profile and screw on.



13. Insert the end caps on the ends of the installation profile.
14. Lay on the central cover plates of the flush-mounted inserts and screw them on if necessary.
15. Lay on the front glass panel and press it on until it engages.



6. Connect the supply wires to the device.
7. Lay on the carrier plate, align it and fasten it on the installation profile with the four screws.



8. Insert the end caps on the ends of the installation profile.
9. Lay on the front glass panel and press it on until it engages.

Mounting a blind cover plate

The areas of the modular function profile in which no devices are to be installed are fitted with blind cover plates.

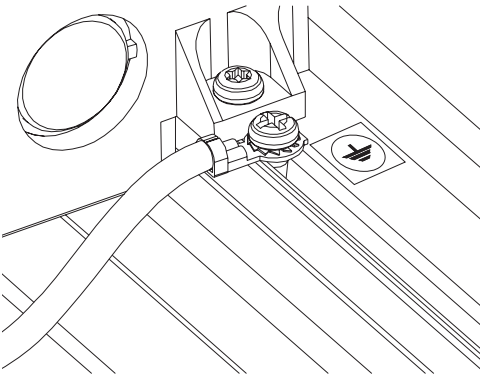
Please proceed as follows to mount a blind cover plate.

1. Insert (if electrical isolation is required) the high bulkhead wall into the installation profile.
2. Mount the carrier plate and fasten it on the installation profile with the four screws provided.
3. Lay on the front glass panel and press it on until it engages.

Earthing installation profile

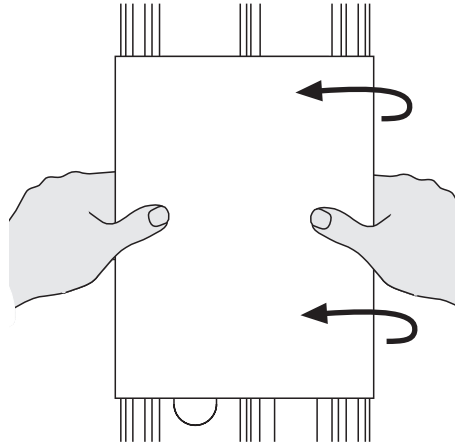
When installing devices operated with mains voltage, the installation profile must be earthed.

To do this, connect the earth potential to the aluminium profile in the area of a blind cover plate with the earthing wire provided as shown in the illustration.



Removing front panel

To remove, pull off the glass front panel toward the front with both hands (see illustration).



Warranty

We provide a warranty in accordance with the statutory requirements.

Please send the device postage paid with an error description to our central customer service centre:

Gira
Giersiepen GmbH & Co. KG
Service Center
Dahlienstraße 12
D-42477 Radevormwald

Gira
Giersiepen GmbH & Co. KG
Postfach 1220
D-42461 Radevormwald, Germany
Tel: +49 (0) 2195 / 602 - 0
Fax: +49 (0) 2195 / 602 - 339
Internet: www.gira.com

GIRA