

Mounting and  
Operating Instructions

**Flush-mounted outdoor station  
with call push button 1-gang**

1260 65/66/67

1271 65/66/67

**Flush-mounted outdoor station  
with call push button 3-gang**

1261 65/66/67

1272 65/66/67

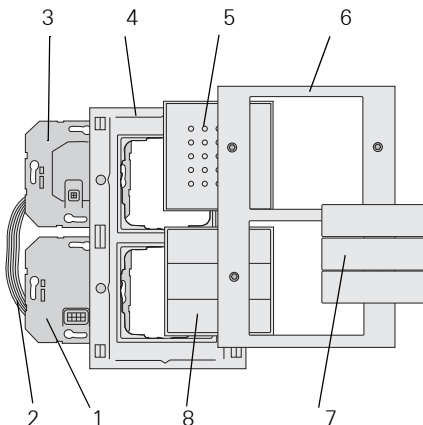
**GIRA**

## Device description

---

The flush-mounted outdoor station is part of the Gira door communication system.

The basic structure of a flush-mounted outdoor station is presented in the example of the flush-mounted outdoor station with call push button 3-gang:



- 1 Door communication bus coupler
- 2 Audio connection cable
- 3 Speech insert
- 4 TX\_44 frame bottom section  
(not in scope of supply)
- 5 Door speaker top unit
- 6 TX\_44 frame top section  
(not in scope of supply)
- 7 Call push button covers
- 8 Call push button 3-gang



### Attention

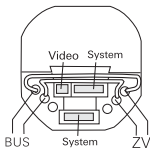
Installation and mounting of electrical devices may only be carried out by a qualified electrician.

Do **not** use the sealing rings included with the TX\_44 frame when installing flush-mounted inserts.

The flush-mounted outdoor station is installed in two common flush-mounted panel boxes:

1. Connect the door communication bus coupler to

- the 2-wire bus on the BUS terminals
- if necessary, the wires of the additional supply to the "ZV" terminals
- if necessary, the wires of a mechanical bell button to the "ET" terminals.



### Deactivating call push button illumination

To deactivate the call push button illumination continuously, remove the jumpers between BUS and ZV.

2. Insert the audio connection cable into one of the two system connectors of the bus coupler.
3. Guide the audio connection cable to the upper flush-mounted panel box and install the bus coupler in the lower flush-mounted panel box.

4. Insert the audio connection cable into one of the two system connectors of the speech insert.
5. Install the speech insert.
6. Place the bottom section of the TX\_44 cover frame in place and attach the call push button and the speech insert to the flush-mounted inserts.
7. Clip on the frame top section and press in the Torx screws.

## Start-up

---

Once all of the devices (outdoor and home stations, control unit etc.) have been installed, you can start up the door communication system. Start-up is described in the system manual included with the control unit.

## Operation

---

### Initiating a call (ringing)



Press the call push button to trigger a call tone at the assigned home station. The button press is confirmed by an additional acknowledgement tone.

### Switching light on/off (in conjunction with a switching actuator)



Press the call push button to switch on light or another device via an assigned switching actuator. The button press is confirmed by an additional acknowledgement tone.

## Volume setting

The volume can be set separately at each outdoor station.

The volume setting must be made by two people.



1. Start programming mode at the **control unit** by pressing the "Systemprogr." button for 3 seconds until the yellow LED next to the button starts flashing.



2. Briefly press a previously assigned call push button at the **outdoor station**.



3. The second person accepts the door call at the **home-station** (via receiver or speech button) and starts speaking.



4. Briefly press the call push button at the **outdoor station** again.



✓ The volume changes when the button is pressed during the voice connection. There are five volume levels in total. The next-highest volume is set with each button press. When the loudest level is reached, the next button press sets the quietest volume level.



5. End the voice connection. The most recently set volume level is saved in the outdoor station.



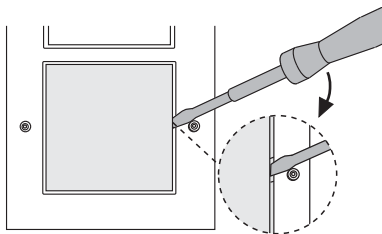
6. Exit programming mode at the **control unit** by briefly pressing the "Systemprogr." button.

## Changing the label plates

---

To change the label plates, the call push button cover can simply be lifted up.

1. Carefully lift up the call push button cover, e.g. with a screwdriver.



2. Change the label plate.
3. Replace the call push button cover and press on it firmly.

Suitable label plates can be obtained with the optional Gira labelling software and the appropriate Gira labelling sheets.

## Acceptance of guarantee

---

The warranty is provided in accordance with statutory requirements via the specialist trade.

Please submit or send faulty devices postage paid together with an error description to your responsible salesperson (specialist trade/installation company/electrical specialist trade).

They will forward the devices to the Gira Service Center.

Gira  
Giersiepen GmbH & Co. KG  
Elektro-Installations-  
Systeme  
Postfach 1220  
42461 Radevormwald  
Deutschland  
Tel +49 (0) 21 95 / 602 - 0  
Fax +49 (0) 21 95 / 602 - 191  
[www.gira.de](http://www.gira.de)  
[info@gira.de](mailto:info@gira.de)

10 41 03 70 22/11

# GIRA