

Touch sensor ITS**Single with controller****Dual with controller****Quad-key with controller**

Order no.:

Order no.: 1240 6..

Order no.: 1243 6..

Order no.: 1247 6..

System Information

This device is a product of the instabus EIB system and complies with EIBA directives.

Detailed technical knowledge obtained in instabus EIB training courses is a prerequisite to proper understanding.

The functionality of this device depends upon the software. Detailed information on loadable software and attainable functionality as well as the software itself can be obtained from the manufacturer's product database.

Planning, installation and commissioning of the unit is done by means of the ETS2 software.

For the product database and technical descriptions please refer to the internet at www.gira.de offering up-to-date information.

**Safety warnings**

Attention : Electrical equipment must m be installed and fitted by qualified electricians only and in strict observance of the relevant accident prevention regulations.

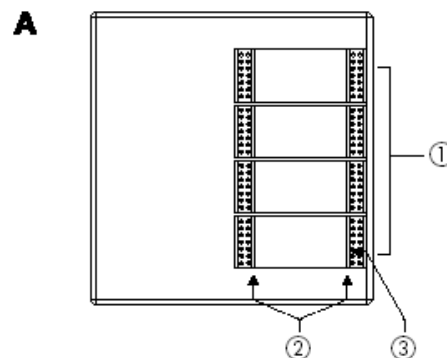
Any non-observance of the installation instructions may damage the device or cause fire or other hazards.

Functions of Touch sensor ITS

→ FIGURE A

Separate programming for each key ①:

- Switching
- Toggling
- Dimming (two-key operation)
- Dimming (single-key operation)
- louver/shutter control
- alarm
- inhibit function
- dimming data transmitter
- brightness data transmitter (0 ... 1500 Lux)
- temperature data transmitter (0 ... 40 °C)
- 8-bit universal data transmitter
- Recalling of lightscapes
- Saving of lightscapes
- status indicator LED for each key ②
- operation LED ③



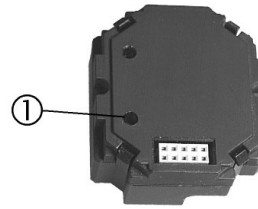
Important:

The Touch sensor ITS can only be used in conjunction with an Instabus flush-mounted bus coupler with a round programming key → **FIGURE B** ① (new generation).

The sensor cannot be used on older bus couplers, on e2i bus couplers or in the Powernet System.

The full functional details are set out in the EIB documentation for these products.

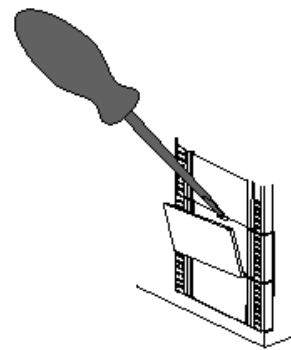
B



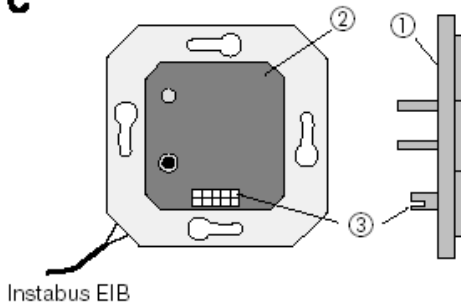
Fitting instructions → FIGURE C

- After snapping the application module ① onto an appropriate flush-mounted insert ②, the connection is established via user interface ③.
- Remove the strip covering the inscription field carefully with a screwdriver or the nail of your finger as shown in → FIGURE D.

D



C



Technical data

Supply via flush-mounted insert bus coupling unit

Power consumption: typically 150 mW

Connection

User interface: 2 x 5 pin plug connector

Ambient temperature: – 5 °C to + 45 °C

Storage/transport temp.: – 25 °C to + 70 °C

Degree of protection: IP20

Safety class: III

Acceptance of guarantee

We accept the guarantee in accordance with the corresponding legal provisions.

Please return the unit postage paid to our central service department giving a brief description of the fault:

Gira
Giersiepen GmbH & Co. KG
Service Center
Dahlienstrasse 12
D-42477 Radevormwald

CE The CE sign is a free trade sign addressed exclusively to the authorities and does not include any warranty of any properties.

Gira
Giersiepen GmbH & Co. KG
Postfach 1220
D-42461 Radevormwald

Telefon: +49 / 21 95 / 602 - 0
Telefax: +49 / 21 95 / 602 - 339
Internet: www.gira.de