

Safety instructions



Electrical devices may only be mounted and connected by a qualified electrician.

Only operate the device if it is in perfect technical condition. Do not repair the device yourself. Do not open any tightly screwed covers on the device housing.

There must be no mains voltage (230 V) in the installation box.

These instructions are an integral part of the product and must remain with the end customer.

Area of application

The device is only suitable for indoor use. The device is only suitable for controlling facilities and devices that do not pose a risk to life or limb. Motors without safety shutdown features, such as limit switches or obstacle detection, must not be controlled with the device. Any other use is considered improper use and may lead to personal injury and damage to property. Gira is not liable for damage caused by improper use of the device. When planning the system, pay attention to the technical information for network planning in the device documentation. All documentation and instructions for this product are available on the manufacturer's website.

Only the following operating modes are permitted:

- 24 V power supply + WLAN
- PoE power supply + LAN
- PoE power supply + WLAN

For AT, BE, BG, CH, CY, CZ, DE, DK, EE, EL, ES, FI, FR, HR, HU, IE, IT, LT, LU, LV, MT, NL, PL, PT, RO, SE, SI, SK:

In the 5 GHz band for WLAN, the range from 5150 MHz to 5350 MHz is intended for indoor use only.

Protection against overheating

In the event of overheating, the IP video home station switches off automatically to prevent damage to the device.

The heat radiated from the device is transferred to the mounting plate via a heat-conducting pad. The mounting plate therefore serves as a cooling surface for the device. The IP video home station may therefore only be operated with the mounting plate. The heat-conducting pad on the rear of the home station must not be damaged or removed.

- Position the IP video home station such that there is a distance of at least 50 mm from any heat source around the device. This allows the heat to be dissipated optimally.
- Do not place the device in direct sunlight.
- Do not cover the device [e.g. curtain].
- Do not enclose the device [e.g. cupboard].

Destruction of electronic components due to improper handling

The IP video home station contains sensitive electronic components. These can be destroyed by improper handling.

- Do not drop the device.
- Do not make any changes to the device, its components or its accessories.

Risk of shattering due to improper handling

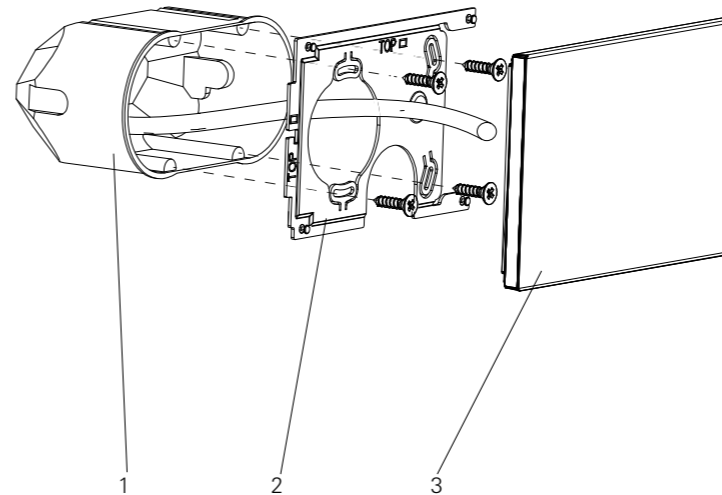
The front of the device is made from glass. Falls from significant height or impacts to the edge may cause this glass to shatter.

- Protect the device from heavy impacts or pressure.
- Do not mount the device if the glass cover is cracked or broken.

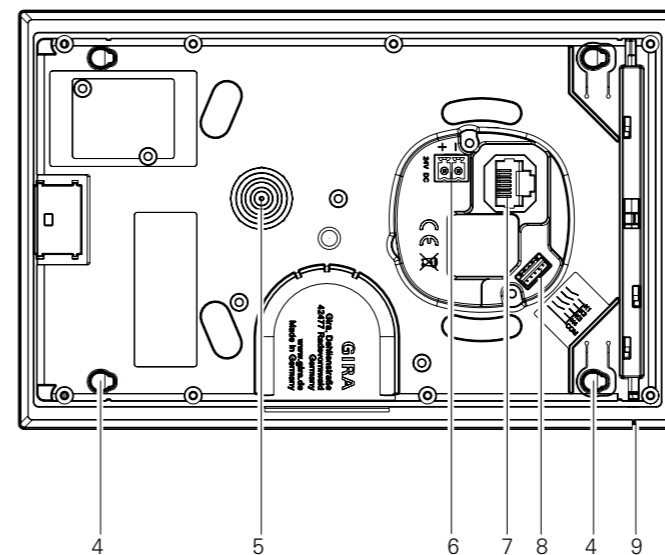
Scope of delivery

- IP video home station
- Mounting plate
- Cable set 3-wire
- Secure Card
- 24 V plug (WLAN variants only) – plugged into the home station
- RJ45 patch cord

Description of the device



- 1 Two-gang device junction box
- 2 Mounting plate
- 3 IP video home station



- 4 Mounting points (4 x)
- 5 Heat-conducting pad
- 6 24 V connection (devices with WLAN only)
- 7 Network connection RJ45
- 8 Auxiliary unit connection
- 9 Unlocking opening

Mounting



The mounting plate must not be painted over.

The device, including the mounting plate, must be removed before wallpapering and/or painting.

Choosing the installation location

Mount the IP video home station with a clearance of at least 50 mm around the device.

Make sure that the mounting surface is level so that the mounting plate does not become warped during mounting.

The IP video home station is mounted on a 2-gang device junction box.

Our recommendations for mounting include:

- KAISER ECON 1656-21 (flush-mounting),
- KAISER 9062-94 (cavity wall) or
- KAISER 1269-01 (concrete).

Mounting height

We recommend that the IP video home station is mounted at a height of 1.5 m.

Mounting sequence

The IP video home station should be installed as follows:

- I. Prepare the cables
 - II. Install the mounting plate on the two-gang box
 - III. Connect the home station
 - IV. Connect the home station to the mounting plate
- The individual installation steps are described in detail below.

I. Prepare the cables

Connect the 24 V cable **or** the network cable.

It is not permissible to connect both cables.

We recommend that you equip the network cable with a modular jack and use the accompanying RJ45 patch cord.

24 V connection (devices with WLAN) **or** PoE connection

1. Cut the 24 V cable to the desired length.
2. Remove the sheath and core insulation.
3. Connect the 24 V plug terminal to the wires.

The network connection is made via the RJ-45 socket.

1. When connecting a rigid network cable, use a modular jack (e.g. order no. 5740 00) and the accompanying RJ45 patch cord.

Auxiliary unit connection

(only necessary when connecting a floor-call button)



Connection cable for auxiliary inputs.

Only connect zero-voltage contacts.

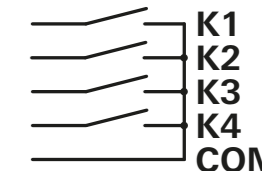
No external voltage. No 230 V – risk to life.

No through-wiring for multiple devices.

The auxiliary unit is connected via the supplied cable set.

Please note the following:

- Green: Channel 1 (floor-call button)
- Channel 2
- Yellow: Channel 3
- Channel 4
- Brown: Reference potential (COM)



The floor-call button is connected to channel 1 and COM.

1. Cut the connection cable of the floor-call button to the desired length.
2. Remove the sheath and core insulation.
3. Connect the connection cable to the cable set.

II. Install the mounting plate

1. Position the mounting plate vertically on the device box.
2. Attach the mounting plate to the device box using the device box screws.

Note: Do not screw in the device box screws too tightly or the mounting plate may become warped (max. torque: 0.6 Nm).

Use only commercially available device box screws.

III. Connect the home station

1. Connect the plug terminals of the power supply or the PoE plug connection to the home station, together with the auxiliary input.

IP video home station

1237 .., 1238 ..

GIRA



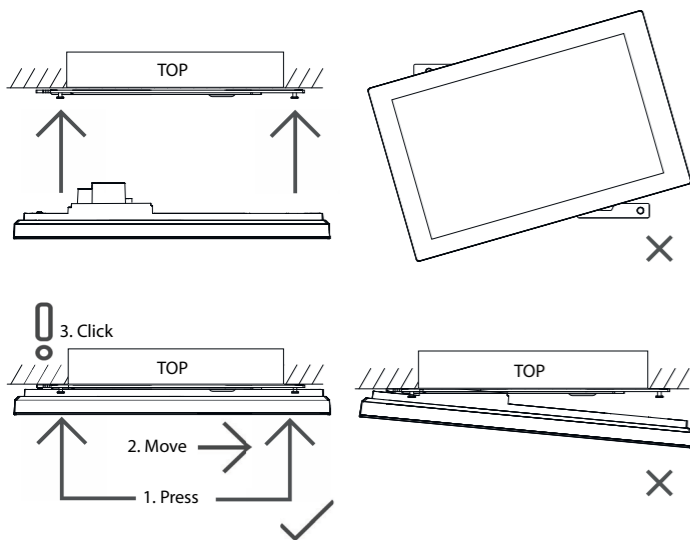
Gira
Giersiepen GmbH & Co. KG
Elektro-Installations-
Systeme

Industriegebiet Mermbach
Dahlienstrasse
42477 Radevormwald
Postfach 1220
42461 Radevormwald
Germany

Tel. +49(0)21 95 602-0
Fax: +49 (0)21 95 602-191
www.gira.de
info@gira.de

IV. Connect the home station to the mounting plate

1. Position the home station on the mounting plate.
2. Push the home station towards the wall (1) and simultaneously slide it downwards (2) until the device audibly locks into place (3).



Start-up

The IP video home station is started up using the Gira Project Assistant (version 6.0 or higher).

Detailed documentation for starting up the IP video home station can be found in the Gira download area www.download.gira.com

Disassembly

1. Hold the home station firmly with one hand.
2. Insert a thin screwdriver (max. blade width 2.5 mm) as far as it will go into the unlocking opening, applying slight pressure.
3. At the same time, push the home station upwards and remove it from the mounting plate.
4. Disconnect the plug connections.

Disposal

The device was developed and manufactured using high-quality materials and components. These are recyclable and reusable. Please consult the regulations governing the separate collection of waste electrical/electronic equipment that are applicable in your country. These devices may not be disposed of with household waste. The correct disposal of waste equipment can prevent possible negative effects upon humans and the environment.

Cleaning

The front of the device is made from glass. This glass can be damaged by improper cleaning.

- Do not use sharp objects to clean the device.
- Do not use harsh cleaning agents, acids or organic solvents.
- Clean the device with a damp microfibre cloth.

Technical data

Power consumption	
Maximum:	8 W
Typical:	4 W
Power supply:	PoE via RJ45
PoE standard:	IEEE 802.3af-2003, IEEE 802.3at-2009, IEEE 802.3bt-2018-1
Class 0:	48 V DC (36 to 57 V)
Only power injectors with a maximum output power of 30 W may be used.	
Protection class:	III (SELV)
Connection cable	
IP:	RJ45 socket
IP communication:	Ethernet 100BASE-TX (10/100 Mbit/s)
Display	
Type:	TFT
Diagonal:	7" (17.78 cm)
Number of colours:	16.7 M
Resolution:	800 x 1200 px, 216 ppi
Brightness:	340 cd/m ²
Contrast ratio:	1:1000
Viewing angle:	>85° all round
Proximity sensor	
Range:	max. 40 cm
Detection range:	30° horizontal, 10° vertical
Protection type:	IP3XD
Temperature:	+5°C to +40°C
Rel. humidity:	5% to 85%
Dimensions:	181 x 114 x 15 mm (profile height)
Installation depth:	18 mm
WLAN version only:	
Power supply:	DC 16 V to 31 V (SELV)
Connection cable	
Wire diameter:	0.6 to 1.29 mm
WLAN standard:	IEEE 802.11b/g/n/ac 2.4 GHz + 5 GHz

Licence conditions

The product contains software, the use of which is subject to the Gira licence conditions. By installing and using the software, you agree to these licence conditions.

The software contained in the product contains software components from third-party providers (Third Party Intellectual Property – TPIP).

The licence agreement and the overview of the TPIP licences and their licence texts can be found at:

link.gira.com/1237License



Privacy Policy

Gira Giersiepen GmbH & Co. KG, as the controller, processes personal data when using the products for the purpose of providing the services and support as well as for the further development and improvement of the products. As a data subject, you have the right of access, right to rectification, right to erasure, right to restriction of processing, right to object, and right to data portability vis-à-vis the controller.

For more information on the processing of your personal data, please refer to our Privacy Policy:

<https://partner.gira.com/en/impressum/datenschutz.html>



Conformity

Gira Giersiepen GmbH & Co. KG hereby declares that the wireless system type order no. 1237 .. is compliant with Directive 2014/53/EU.

The complete item number can be found on the device.

The complete text of the EU declaration of conformity is available at the following web address:

www.gira.de/konformitaet

Warranty

The warranty is provided in accordance with the statutory requirements via the retailer.

Please hand over or send faulty devices, postage paid and with a description of the problem, to your supplier (retailer/installation company/electronics retailer),

who will forward the devices to the Gira Service Centre.