

Video multiplexer

1224 00

GIRA

Gira
Giersiepen GmbH & Co. KG
Electrical installation
systems
P.O. Box 1220
42461 Radevormwald
Phone +49 (0) 2195 / 602 - 0
Fax +49 (0) 2195 / 602 - 339
www.gira.de
info@gira.de

31 96 45 27/12

GIRA

Warranty

The warranty is provided in accordance with statutory requirements via the specialist trade. Please submit or send faulty devices postage paid together with an error description to your responsible salesperson (specialist trade/ installation company/electrician). They will forward the devices to the Gira Service Center.

Device description

The video multiplexer bundles the video signals of door stations, DCS-camera-gateways and DCS-IP-gateways. A video multiplexer can bring the video signals from 3 cameras together. Using 2 video multiplexers, the video signals from up to 5 devices can be brought together.

If more than 5 cameras should be integrated in the Gira door communication system, the DCS-camera-gateways must be "looped through".

Mounting

The combination housing of the video multiplexers makes various mounting types possible:

Without a DRA adapter

- Surface-mounted (e.g. in a surface-mounted junction box)
- Flush-mounted (in a deep flush-mounted device box)

With a DRA adapter

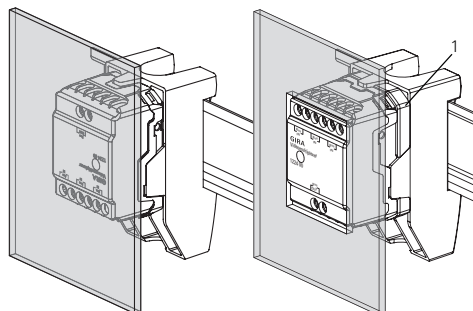
The video multiplexer can be installed with the included DRA adapter on a top-hat rail in a distribution.

The installation height of the video multiplexer in the distribution varies depending on the plug-in direction. This enables both flush installation and installation below the protective cover.



Flush installation

For flush installation, please insert the included plate (1) into the DRA adapter and then snap in the video multiplexer.



below the protective cover

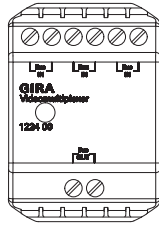
flush installation

Connection terminals

Bus IN

Connection for the incoming video signal from door stations with video function, DCS-camera-gateways or DCS-IP-gateways.

Because the video signal in the video multiplexer is only routed in one direction from Bus IN to Bus OUT, all devices which emit a video signal must be connected to Bus IN via the Gira 2-wire bus.



Bus OUT

Connection of the video multiplexer to the video control device or another video multiplexer.

Technical data

Temperature range: -25 °C to +70 °C
Dimensions (W x H x D): 36 x 52 x 27 mm

Example topologies

Legend:

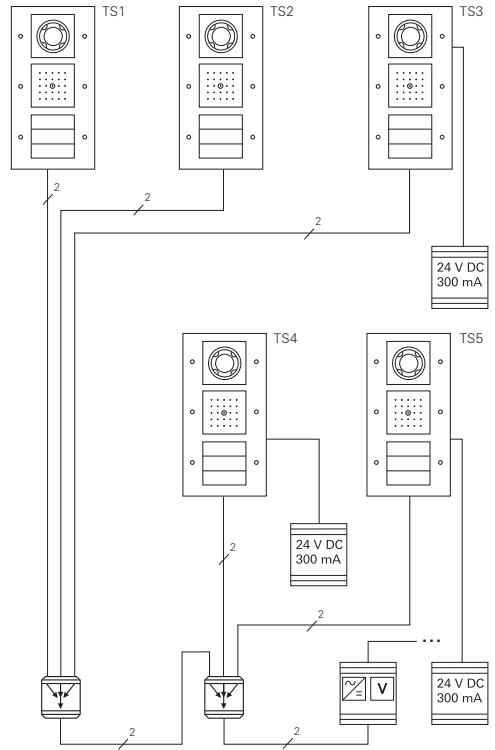


Video multiplexer

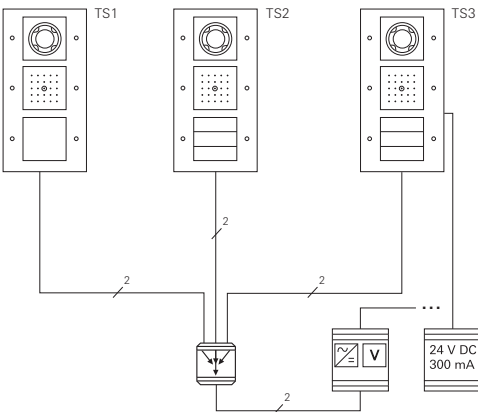


DCS-camera-gateway

Connection of 5 door stations video



Connection of 3 door stations video



Connecting more than 5 cameras

