

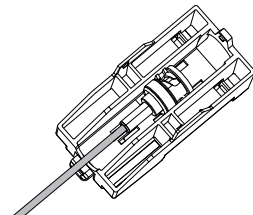
**DCS-camera-gateway**  
1201 00

# GIRA

Gira  
Giersiepen GmbH & Co. KG  
Electrical Installation  
Systems  
P.O. Box 1220  
42461 Radevormwald  
Phone +49 (0) 2195 - 602 - 0  
Fax: +49 (0) 2195 - 602-339  
www.gira.com  
info@gira.com

49 92 53 50/10

# GIRA



**Device description**

The DCS-camera-gateway integrates a common analogue camera into the Gira door communication system. The connection of the external camera is made with screw terminals. An adapter cable is included for cameras with BNC connection. A camera gateway and own power supply are required for each external camera.

The camera gateway can be operated with or without an assigned door station.

- Function with assigned audio door station :  
The external camera is assigned to an audio door station and functions as a system camera (i.e. automatically activated with a door call).
- Function without assigned door station:  
The camera gateway is not assigned to a door station. In this case the camera image can only be switched on manually via home stations with video function.

**Installation**

The combination housing of the DCS-camera-gateway makes various installation types possible:

**Without DRA adapter**

- Surface-mounted (e.g. in a surface-mounted junction box)
- Flush-mounted (in a deep flush-mounted device box)

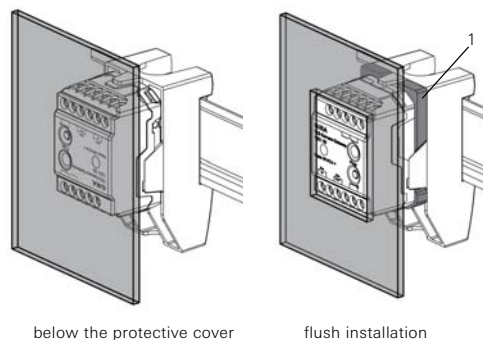
**With DRA adapter**

The DCS-camera-gateway can be installed with the included DRA adapter on a top-hat rail in a distribution. The DRA adapter accepts a BNC plug connection. When installing the camera gateway in a distribution the BNC plug connection must be inserted here. The cable can be fixed with cable ties through openings in the DRA adapter.

The installation height of the camera gateway in the distribution varies depending on the plug-in direction. This enables both flush installation and installation below the protective cover.

**i Flush installation**

With flush installation please insert the included plate (1) in the DRA adapter and then snap in the camera gateway.



**Connection**

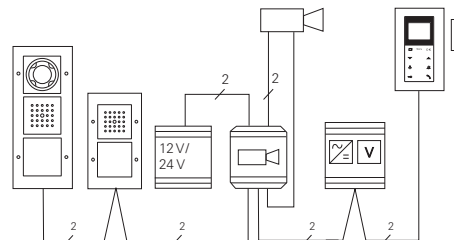
**BUS IN**

Connection for the incoming video signal from door stations with video function or from further camera gateways.

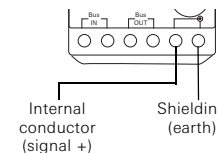
Because the video signal in the camera gateway is only routed in one direction from BUS IN to BUS Out, all door stations with video function or further camera gateways must be connected via the Gira 2-wire bus to BUS IN.

**BUS OUT**

Connection of the camera gateway to the video control device via the Gira 2-wire bus. The video signal of the external camera is transmitted via BUS OUT.



**Camera input**



Input for the external camera video signal. Use the included adapter cable for cameras with BNC connection.

**2-way switch**



The power supply or activation input of the camera can be switched via the 2-way switch relay connections.

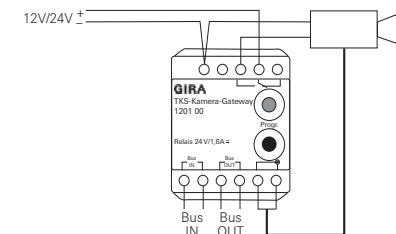
The relay is operated with a door call from the assigned door station. The delay time of the relay is 30 s, i.e. 30 s after the conversation is ended or after switching to another camera the relay reverts to the rest position.

**Backing terminals**

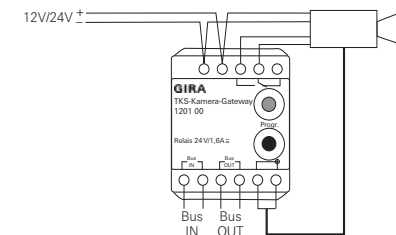


The backing terminals insulated from each other can be used for through-wiring of the camera power supply:

- Camera without permanent power supply



- Camera with permanent power supply and activation input



## Assigning the door station to the camera gateway

If an audio door station is assigned to the camera gateway the external camera behaves as a system camera, i.e. the external camera is automatically activated with a door call from the assigned door station.

To assign a camera gateway to an audio door station:

1. Press the "System prog." button on the **control device** for 3 s to start programming mode.
  - ✓ The LED at the control device flashes yellow. The LED at the DCS-camera-gateway flashes red.
2. Press any call button on the **audio door station** for 3 s. Release the call button following the brief acknowledgement tone.
  - ✓ The door station outputs a long acknowledgement tone.
3. Press and hold the programming button at the **DCS-camera-gateway** for 3 s until the LED briefly flashes green.
  - ✓ The LED flashes green one time long, and then lights up red: assignment successful.
  - or
  - The LED flashes green three times and then flashes red: assignment not successful.

The call buttons of the door station must then be assigned to the corresponding home stations as described in the operating instructions of the control device.

### **i** Notes

It is not possible to assign a video door station to the DCS-camera-gateway. A maximum of one audio door station can be assigned to a camera gateway.

## Deleting assignment to the door station

1. Press the "System prog." button on the **control device** for 3 s to start programming mode.
  - ✓ The LED at the control device flashes yellow. The LED at the DCS-camera-gateway lights up red.
2. Press and hold the programming button at the **DCS-camera-gateway** for 6 s.
  - ✓ The LED briefly flashes green after 3 and 6 s.
  - ✓ The LED flashes green one time long and then flashes red: assignment deleted.

### **i** Deleting a camera

If a camera is to be deleted this must additionally be carried out with all home stations with video function in the system, in the "Delete camera" menu.

#### **Important:**

In this case all existing cameras are deleted and these must then be re-assigned.

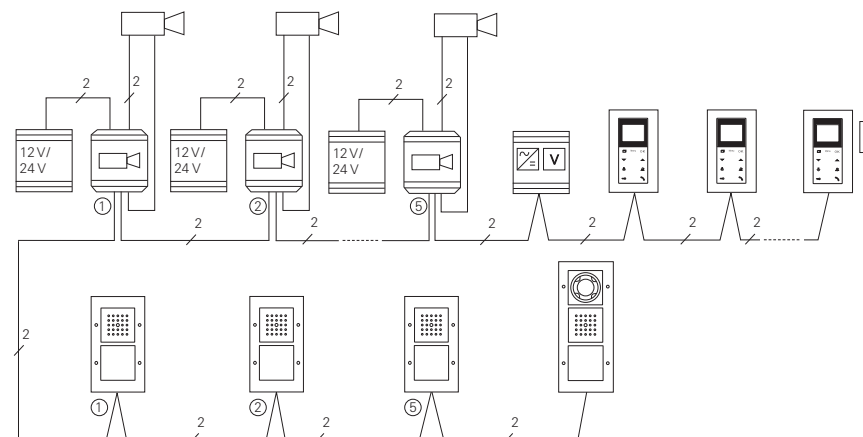
## Using a camera gateway without door station

With operation without an assigned door station the camera is not automatically activated via a door call. The camera can only be activated via the home stations with video function that exist in the system. For operation without an assigned door station the camera gateway must be registered in the door communication system:

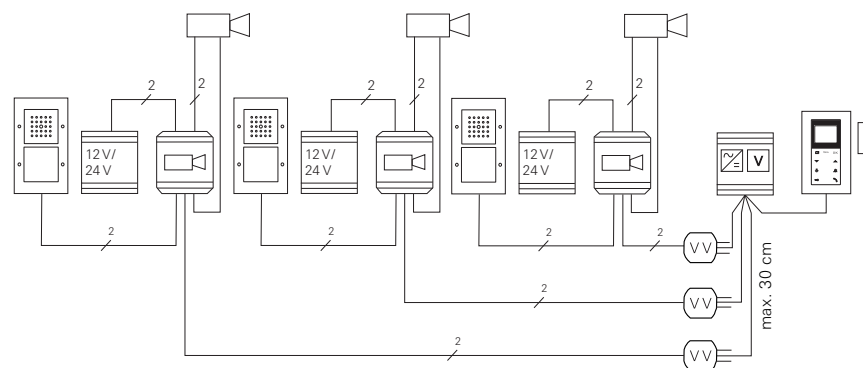
1. Press the "System prog." button on the **control device** for 3 s to start programming mode.
  - ✓ The LED at the control device flashes yellow. The LED at the DCS-camera-gateway flashes red.
2. Press and hold the programming button at the **DCS-camera-gateway** for 9 s.
  - ✓ The LED briefly flashes green after 3, 6 and 9 s.
  - ✓ The LED flashes green one time long, and then lights up red: the camera gateway has been successfully registered in the system.

## Example topologies

Up to 5 camera gateways in series can be operated. Each external camera requires its own power supply.



Up to 3 camera gateways can be wired in a star configuration if they are connected to the video control device via video distributors.



## Technical data

Video signal:	FBAS 1 Vss, PAL standard
Temperature range:	-25 °C to +70 °C
Relay load:	50 µA to max. 1.6 A at 24 V AC/DC
Dimensions (W x H x D):	36 x 52 x 27 mm
Maximum cable lengths	
Camera gateway - TFT display:	100 m
Camera gateway - Camera:	30 m

## Warranty

We provide a warranty in accordance with the statutory requirements. Please send the device postage paid with error description via the specialist trade to our central customer service centre.

Gira  
Giersiepen GmbH & Co. KG  
Service Center  
Dahlienstraße 12  
42477 Radevormwald