

Pressure change dimmer light bulb

Order-No. : 1184 00

Operating instructions**1 Safety instructions**

Electrical equipment may only be installed and fitted by electrically skilled persons.

Failure to observe the instructions may cause damage to the device and result in fire and other hazards.

Always disconnect before carrying out work on the device or load. At the same time, take into account all circuit breakers that supply dangerous voltage to the device or load.

The device is not suitable for disconnection from supply voltage.

Do not connect electronic lamps, e.g. switchable or dimmable energy-saving lamps or LED lamps. Otherwise the possibility of a device defect cannot be ruled out.

These instructions are an integral part of the product, and must remain with the end customer.

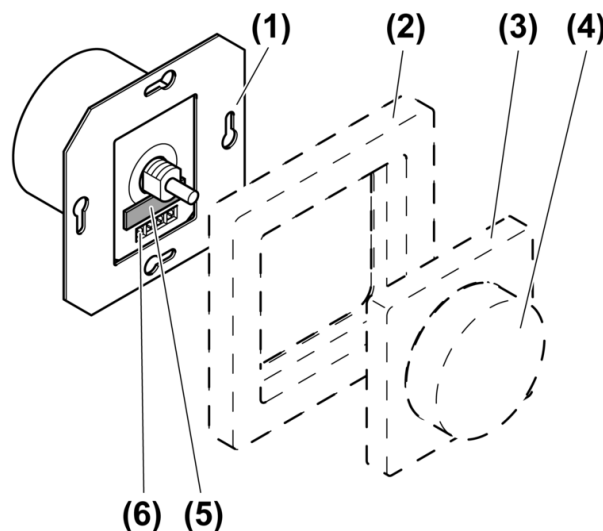
2 Device components

Figure 1: Device components

- (1) Dimmer
- (2) Frame
- (3) Central plate
- (4) Control button
- (5) Fuse holder
- (6) Screw terminals

3 Function**Intended purpose**

- Switching and dimming incandescent lamps and HV halogen lamps
- Suitable for mixed operation up to the specified output (see section Technical data)
- Installation in appliance box to DIN 49073

i No operation with transformers.

Product characteristics

- Phase cut-on dimming principle
 - Soft locking on operation
 - Short-circuit protection through fine-wire fuse
 - Changeover switching possible in combination with changeover switch
 - Operation on 60 Hz mains possible
- i** Flickering of the connected lamps due to undershoot of the specified minimum load or through centralised pulses from the power stations and soft humming of the device due to the radio interference suppressor. These are not device faults.

4 Operation

Switch light

- Press the control button.

Adjust the brightness

Light is switched on.

- Turn the control button in the clockwise direction.
The light gets brighter up to maximum brightness.
- Turn the control button in the anti-clockwise direction.
Light gets darker to minimum brightness.

5 Information for electrically skilled persons

5.1 Fitting and electrical connection



DANGER!

Electrical shock when live parts are touched.

Electrical shocks can be fatal.

Before carrying out work on the device or load, disengage all the corresponding circuit breakers. Cover up live parts in the working environment.

Connecting and mounting the dimmer

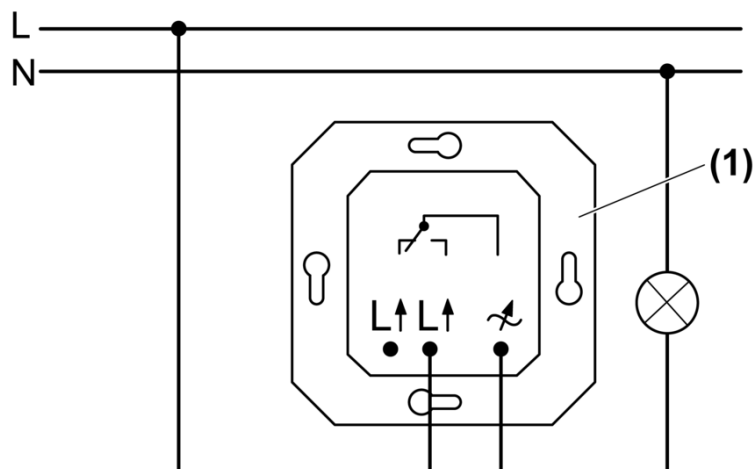


Figure 2: Connection diagram

- Connect the dimmer (1) according to the connection diagram (Figure 2).

- Mount the dimmer in the accessory socket.
- Attach the frame and the central plate.
- Attach the control button.

Connection in changeover switch

- ❗ No changeover switch possible with two dimmers.

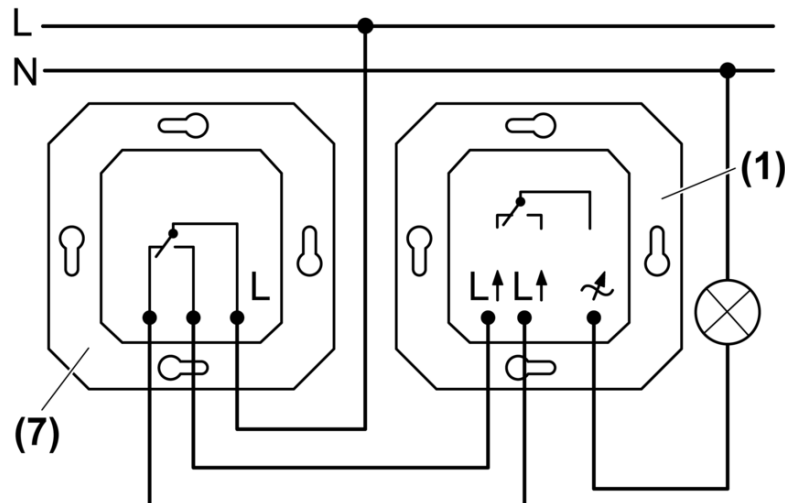


Figure 3: Changeover switch

- Connect the dimmer (1) and the changeover switch (7) according to the connection diagram (Figure 3).

5.2 Commissioning

Setting basic brightness in operation on 60 Hz mains

The basic brightness is set ex works for operation on 50 Hz mains. If the dimmer is used on 60 Hz mains, the basic brightness must be reset by an electrically skilled person.



DANGER!

Electrical shock when live parts are touched.

Electrical shocks can be fatal.

Use only insulated tools to set the basic brightness. Cover up live parts in the working environment.

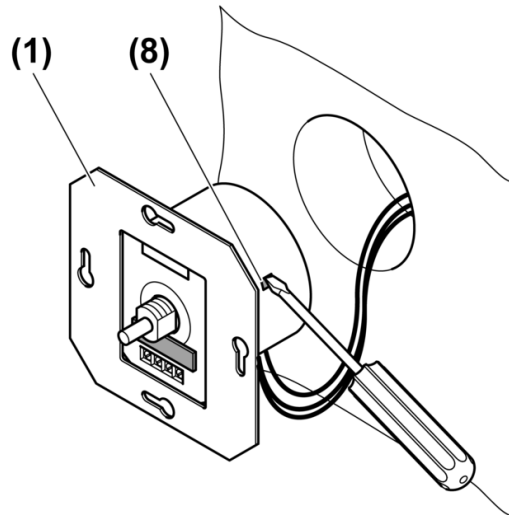


Figure 4: Adjusting basic brightness

- (1) Dimmer
- (8) Basic brightness setter
 - Switch off the mains voltage.
 - Connect dimmer as described above, but do not install in the appliance box yet. When doing this, ensure insulation of the cables in accordance with regulations.
 - Switch on mains voltage.
 - Press the rotary axle to switch on the lighting and turn it left to the minimum brightness.
 - Adjust basic brightness by turning the lateral adjuster (8) (Figure 4).
- i** According to EN 60669-2-1 (01.2000), lamp brightness should be detectable over the whole load area, with darkness at – 10 % rated voltage.
 - Switch off the mains voltage.
 - Mount the dimmer in the accessory socket.
 - Mount the frame and the central plate.
 - Attach the control button.
 - Switch on mains voltage again.

6 Appendix

6.1 Technical data

Rated voltage	AC 230 / 240 V ~
Mains frequency	50 / 60 Hz
Ambient temperature	+5 ... +25 °C
Connected load at 25 °C	
Incandescent lamps	60 ... 400 W
HV halogen lamps	60 ... 400 W
Power reduction	
per 5°C in excess of 25°C	-10 %
when installed in wooden or dry construction walls	-15 %
when installed in multiple combinations	-20 %
Connection	
Single stranded	max. 4 mm ²
Power boosters	none
Fine-wire fuse	D 1.6 H 250



The symbols used to label the dimmer load shows the load type that can be connected to a dimmer and the electric behaviour of a load: R = ohmic

6.2 Troubleshooting

Device switches load off and remains switched off.

Short-circuit protection has tripped.

Check the fine-wire fuse

Replace the fine-wire fuse Use only original fuses (see chapter 6.1. Technical data).

6.3 Warranty

The warranty is provided in accordance with statutory requirements via the specialist trade.

Please submit or send faulty devices postage paid together with an error description to your responsible salesperson (specialist trade/installation company/electrical specialist trade). They will forward the devices to the Gira Service Center.

Gira
Giersiepen GmbH & Co. KG
Elektro-Installations-
Systeme

Industriegebiet Mermbach
Dahlienstraße
42477 Radevormwald

Postfach 12 20
42461 Radevormwald

Deutschland

Tel +49(0)21 95 - 602-0
Fax +49(0)21 95 - 602-399

www.gira.de
info@gira.de