

Built-In Radio TRONIC Dimmer

Order No. : 1180 00

Operating instructions

1 Safety instructions

Electrical equipment may only be installed and fitted by electrically skilled persons.

Serious injuries, fire or property damage possible. Please read and follow manual fully.

Danger of electric shock. Always disconnect before carrying out work on the device or load. In so doing, take all the circuit breakers into account, which support dangerous voltages to the device and or load.

Danger of electric shock. Device is not suitable for disconnection from supply voltage. The load is not electrically isolated from the mains even when the device is switched off.

The radio communication takes place via a non-exclusively available transmission path, and is therefore not suitable for safety-related applications, such as emergency stop and emergency call.

Do not shorten, extend or strip the antenna. Device can be damaged.

These instructions are an integral part of the product, and must remain with the end customer.

2 Device components

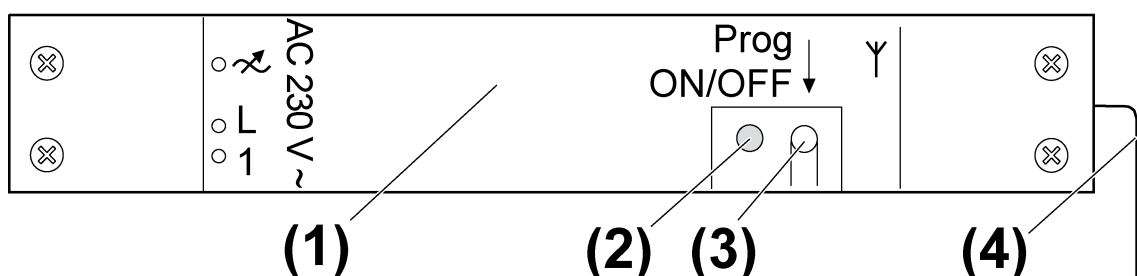


Figure 1

- (1) Dimmer
- (2) LED
- (3) Programming button
- (4) Antenna

3 Function

System information

By statute, the transmitting power, the reception characteristics and the antenna cannot be changed.

The range of a radio system from the transmitter to the receiver depends on various circumstances.

The range of the system can be optimised by selecting the optimal installation location, taking into account the structural circumstances.

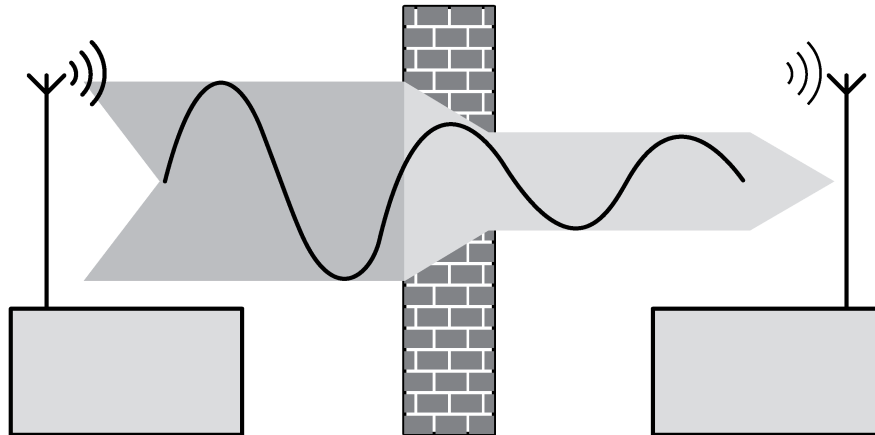


Figure 2: Reduced range due to structural obstacles

Example of penetration of various materials:

Material	Penetration
Wood, Plaster, Plasterboard	approx. 90%
Brick, Chipboard	approx. 70%
Reinforced concrete	approx. 30%
Metal, Metal grid	approx. 10%
Rain, Snow	approx. 1-40%

Intended use

- Radio-controlled switching and dimming of incandescent lamps, HV halogen lamps and Tronic and inductive transformers with halogen lamps
- Operation with suitable radio transmitters, installation buttons or with 2-wire extensions
- Suitable for mixed operation up to the specified output (Technical data)
- Installation in false ceilings and surface mounting
- i** No operation with inductive transformers.
- i** It is not possible to teach a combination of presence detector and motion detector.

Product characteristics

- Dimming principle, phase cut-off
- Switch-on brightness can be saved permanently
- Switch-on via bulb-preserving soft start
- Light scene operation possible
- Constant light regulation possible in connection with a radio presence detector
- Run-on time of approx. 1 minute in connection with radio motion detectors
- Power extension through power boosters (see power booster instructions)
- Electronic short-circuit protection with permanent switch-off after 7 seconds at the latest
- Electronic over-temperature protection
- i** Flickering of the connected lamps due to undershoot of the specified minimum load or through centralised pulses from the power stations. This does not represent any defect in the device.

4 Operation

Operation with radio transmitter

A radio transmitter has to be taught in order to be able to operate the dimmer.

- i** Observe the instructions for the radio transmitter.

Operation via 2-wire extension or installation button

Switch light

- i** The light is switched on (see chapter 5.2. Commissioning) or off using the stored switch-on brightness.

2-wire extension

- Press button at top or bottom briefly.

Installation button:

- Press button briefly.

Switching the light on with minimum brightness

2-wire extension

- Long press on bottom of button.

Installation button:

- Long press on button.

Adjust the brightness

Light is switched on.

2-wire extension

- Press button for longer than 0.5 seconds.
The light gets brighter up to maximum brightness.
- Press button at bottom for longer than 0.5 seconds.
Light gets darker to minimum brightness.

Installation button:

- i** The dimming direction is changed with each actuation.
 - Hold down button until the desired brightness is reached.
- i** The brightness changes as long as the button is pressed. Once the maximum brightness is reached the procedure is reversed and the brightness moves towards the minimum brightness, etc.

5 Information for electrically skilled persons

5.1 Fitting and electrical connection



DANGER!

Electrical shock when live parts are touched.

Electrical shocks can be fatal.

Before carrying out work on the device or load, disengage all the corresponding circuit breakers. Cover up live parts in the working environment.

Connecting and mounting the dimmer

Maintain a distance of at least 0.5 m from metal surfaces and electrical devices, e.g. microwave ovens, hi-fi and TV systems, electronic ballasts or transformers.

Maintain a distance of at least 1 m between transmitter and receiver in order to prevent overmodulation of the receiver.

- i** Recommended cable for effective strain relief: H05VV-F 3G 1.5

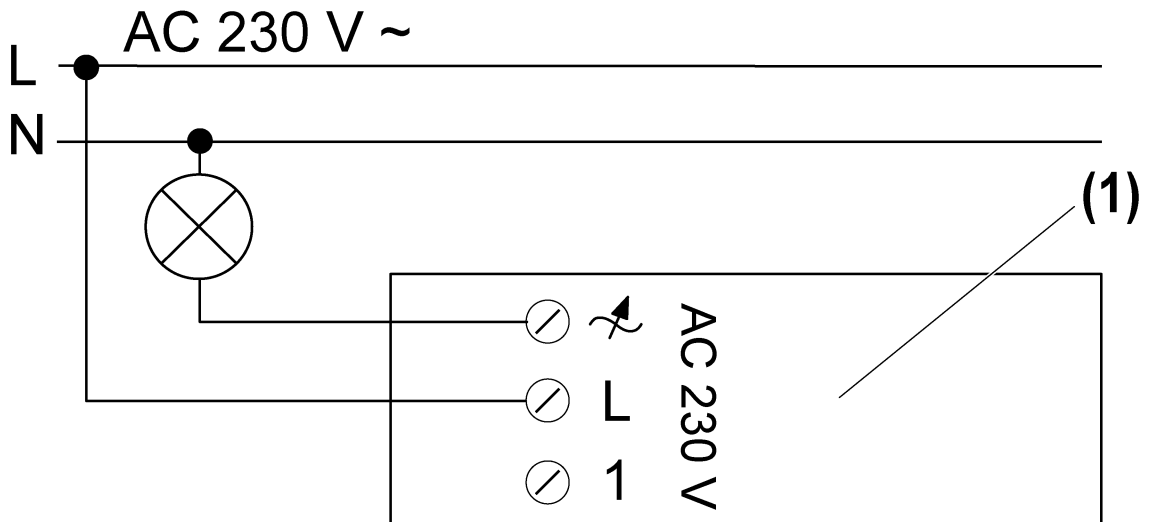


Figure 3: Connection diagram for dimmer

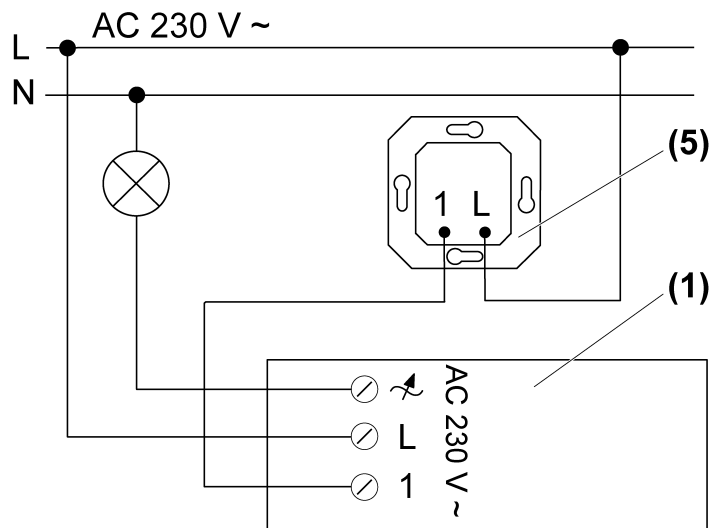


Figure 4: Connection diagram for dimmer with extension 2-wire

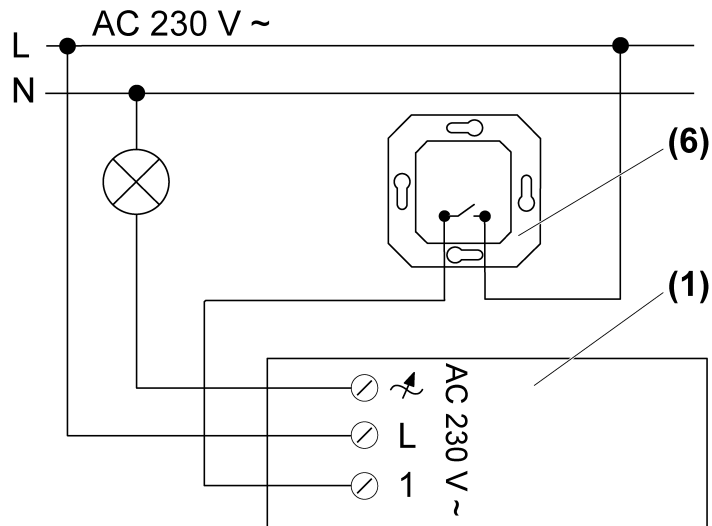


Figure 5: Connection diagram for dimmer with installation button

- i** Lit installation buttons must have a separate N terminal.
 - Connect the dimmer according to the appropriate connection diagram.
 - If multiple miniature circuit breakers supply dangerous voltages to the device or load, couple the miniature circuit breakers or label them with a warning, to ensure release is guaranteed.
- i** Lay the antenna stretched out freely if possible.
 - Switch on mains voltage.
- i** The load can be switched on or off by pressing the programming button briefly for about 1 second.

5.2 Commissioning

- i** Observe the instructions for the radio transmitter.



DANGER!

Electrical shock when live parts are touched.

Electrical shocks can be fatal.

Before working on the device, cover up live parts in the working environment.

Teaching a radio transmitter

- i** If all memory slots are occupied, a radio transmitter which has already been taught must first be deleted. To do this, delete all taught channels and light scenes of the radio transmitter individually.

The distance between the receiver and the radio transmitter is from 0.5 m to 5 m.

Load is switched off.

- Press the programming button for approx. 4 seconds.
The LED blinks. The device is in programming mode for approx. 1 minute.
- Trigger teach telegram on radio transmitter (see instructions for radio transmitter).
LED lights up. The radio transmitter has been taught.
- Press the programming button briefly.
The load switches on. The device is in operating mode.

- i** The programming mode is exited automatically after about 1 minute.

- i** Teach light scene buttons separately.

- i** When a radio transmitter is taught, All On and All Off buttons that are present are automatically also taught.

Save switch-on brightness

A set brightness value can be saved in the dimmer as the switch-on brightness.

- i** In the state as supplied the switch-on brightness is set to maximum.
 - Set light to the required brightness.
 - Press programming button for longer than 4 seconds.
Switch-on brightness is saved. For confirmation the lighting switches off briefly and then on again.
- i** The saved switch-on brightness is retained in the event of a power failure.

Deleting radio transmitters individually

- Teach the radio transmitter to be deleted again (see Teaching a radio transmitter).
LED blinks quickly. The radio transmitter has been deleted.
- i** If several channels or light scenes of a radio transmitter have been taught, they all must be deleted individually.

Deleting all radio transmitters

Load is switched off.

- Press the programming button for approx. 20 seconds.
After approx. 4 seconds the LED blinks.
After approx. 20 seconds the LED flashes.
- During the next 6 seconds, release the programming button and press it again for approx. 1 second.
LED lights up. The radio transmitters will be deleted.
LED blinks quickly. All radio transmitters have been deleted.

6 Appendix

6.1 Technical data

Rated voltage	AC 230 V ~
Mains frequency	50 / 60 Hz
Ambient temperature	0 ... +55 °C
Connected load at 35 °C	
i Power specifications including transformer power dissipation.	
Incandescent lamps	50 ... 315 W
HV halogen lamps	50 ... 315 W
Electronic transformers	50 ... 315 W
ohmic-capacitive	50 ... 315 W
Power reduction per 5°C in excess of 35°C	-10 %
Power boosters	See power booster instructions
Dimensions L×W×H	187×28×28 mm
Number of extension units	unlimited
Total length power cable	max. 100 m
Total length of extension unit cable	max. 100 m
Radio frequency	433.05 MHz ... 434.79 MHz
Receiver category	2
Teachable radio transmitter	max. 30



The icons used to label the dimmer load shows the load type that can be connected to a dimmer and the electric behaviour of a load: R = ohmic, C = capacitive

6.2 Troubleshooting

The dimmer switches the load off briefly and then on again.

Cause: short-circuit protection has tripped but now there is no longer a fault.

The dimmer switches the load off and cannot be switched on again.

Cause 1: electronic short-circuit protection has tripped.

Eliminate short-circuit.

i The electronic short-circuit protection is not based on a conventional fuse, no electrical isolation of the load circuit.

Cause 2: overheating protection has tripped.

Disconnect dimmer from mains, also switch associated off circuit breakers.

Let dimmer cool down for at least 15 minutes.

Check the installation situation.

Reduce the connected load.

Switch circuit breakers and dimmer on again.

Dimmer does not respond, or only sometimes.

Cause 1: battery in the transmitter is empty.

Change the battery.

Cause 2: radio range has been exceeded. Structural obstacles reduce the range.

Check the installation situation.

Check routing of antenna. Laying the antenna stretched out increases the range.

Using a radio repeater.

6.3 Conformity

Gira Giersiepen GmbH & Co. KG hereby declares that the radio system type
Order No. 1180 00

corresponds to the directive 2014/53/EU. You can find the full article number on the device. The complete text of the EU Declaration of Conformity is available under the Internet address:
www.gira.de/konformitaet

6.4 Warranty

The warranty follows about the specialty store in between the legal framework as provided for by law

Please submit or send faulty devices postage paid together with an error description to your responsible salesperson (specialist trade/installation company/electrical specialist trade). They will forward the devices to the Gira Service Center.

Gira
Giersiepen GmbH & Co. KG
Elektro-Installations-
Systeme

Industriegebiet Mermbach
Dahlienstraße
42477 Radevormwald

Postfach 12 20
42461 Radevormwald

Deutschland

Tel +49(0)21 95 - 602-0
Fax +49(0)21 95 - 602-191

www.gira.de
info@gira.de