

## Powernet Built-In Fourfold IR Sensor

Art. Nr.: 0873 00

## System Information

This device is a product of the Gira-Powernet® EIB system and complies with EIBA directives. Detailed technical knowledge obtained in *instabus* or Gira-Powernet® EIB training courses is a prerequisite to proper understanding.

The functionality of this device depends upon the software. Detailed information on loadable software and attainable functionality may be taken from the manufacturer's ETS2 product database as well as from the Gira-Powernet® EIB controller database.

Planning, installation and commissioning of the unit is done by means of the ETS2 software, Ver. 1.1 or later, as well as by the Gira-Powernet® EIB controller.

## Function

This IR sensor receives up to eight IR channels from an infrared hand or wall-mounted transmitter, evaluates them and sends commands to the Gira-Powernet® EIB system, depending upon the application chosen.

In receiver ① of the IR sensor, a key ② is integrated which can send a telegram to the Gira-Powernet® EIB system when projected together with the ETS2 and operated.

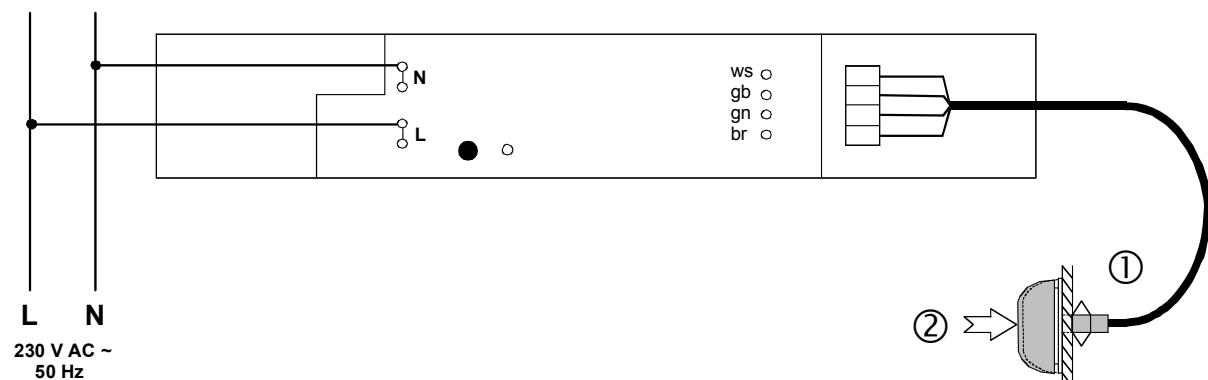


illustration ①

## Connection Line between Receiver and IR Sensor:

The line must not be laid in parallel with lines carrying mains voltage or with load lines. A distance of a few centimetres should be kept to avoid electromagnetic radiation.

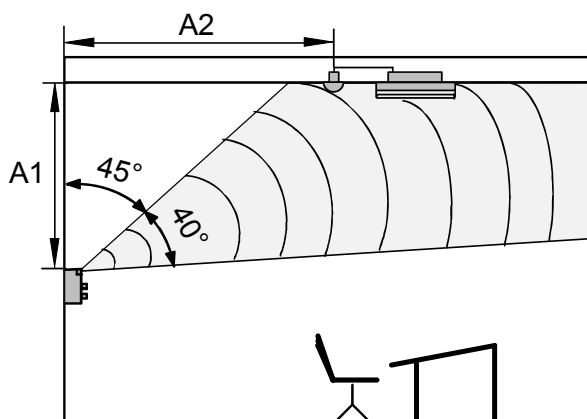


illustration ②

## Installation

Note when the receiver is driven by a wall-mounted transmitter: Install the receiver within the radiation area of the wall-mounted transmitter. Distance (A2) from the wall to the receiver must be at least distance (A1) between the wall-mounted transmitter and the ceiling (refer to illustration ②).

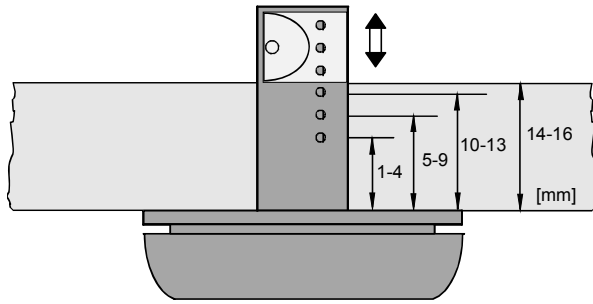


illustration ③

**Installation Sequence:**

1. Drill a 13 mm hole into the intermediate ceiling.
2. Set the clamping spring of the IR receiver to ceiling thickness (refer to illustration ③).
3. Insert the receiver supply cable with its four wire ends into the hole.
4. Insert the receiver into the drilled hole and turn fully anticlockwise.
5. Put the power unit on the intermediate ceiling. Connect the receiver supply line. Connect the power supply and the load line as shown in the diagram (illustration ①).

To remove the receiver, withdraw it from the drilled hole by turning anticlockwise.

Extraneous light may only indirectly shine on the IR receiver as, otherwise, its sensitivity will be reduced.

**Adjustment**

The function of the device depends upon the software used.

The number of channels is determined by the application chosen.

By means of the IR receiving sensor, the functions of switching, dimming, louver control and transmitter can be performed.

**Warning**

**Caution! The installation and assembly of electrical equipment may only be performed by a skilled electrician. The line between the receiver and the built-in device carries 230 V potential. Non-observance of these notices can cause fire hazards or other dangerous situations.**

**Specifications****Supply**

Mains voltage	: 230 V AC (sine-wave)
Mains frequency	: 50 Hz

**Connection**

Mains	: Plug-in terminals up to 2.5 mm <sup>2</sup> max.
Receiver	: Plug-in terminals

**Receiver**

Diameter	: 46 mm, 18 mm up
Hole	: 13 mm
Intermediate ceiling thickness	: 1 to 16 mm
Receiver line length	: Approx. 75 cm (ready-made)

**Transmission medium**

: Infrared light

**Wavelength**

:  $\lambda = 950 \text{ nm}$

**Carrier frequency**

: 455 kHz

**Coding**

: PPM code, carrier-frequency based

**Ambient temperature**

: -5 °C to +45 °C

**Protective system**

: IP 20

**Dimensions (in mm)**

: 39.5 x 28.5 x 278.6 (W x H x L)

## Acceptance of guarantee

We accept the guarantee in accordance with the corresponding legal provisions.

**Please return the unit postage paid to our central service department giving a brief description of the fault:**

Gira  
Giersiepen GmbH & Co. KG  
**Service Center**  
Dahlienstrasse 12  
D-42477 Radevormwald

---



The CE sign is a free trade sign addressed exclusively to the authorities and does not include any warranty of any properties.

Gira  
Giersiepen GmbH & Co. KG  
Postfach 1220  
D-42461 Radevormwald

Telefon: +49 / 21 95 / 602 - 0  
Telefax: +49 / 21 95 / 602 - 339  
Internet: [www.gira.de](http://www.gira.de)