

Smoke detector plus / VdS with relay module

pure white
alu

Art. Nr.: 0496 06
0496 07

Smoke detector plus / VdS with radio transmitter module

pure white
alu

Art. Nr.: 0496 08
0496 09

Product features

- Battery-operated stand-alone Home Smoke Detector working on photoelectric principle.
- Automatic self-test for smoke-sensing electronics, therefore extremely reliable and immune to interference.
- Option of operating as a wireless network with radio transmitter modules and a wireless alarm unit (available as extras).
- Loud pulsating warning tone if smoke detected, approx. 85 dB (A).
- Battery low-power monitor (LED and short beeps at intervals) warns that battery voltage is growing weaker, for up to about 30 days.
- Contamination/fault warning function with LED and short beep.
- Option of operating as a wired network with relay modules (available as extras). Up to 40 smoke detectors can be linked together. If one smoke detector identifies a fire, the alarm is relayed all the other smoke detectors in the network.
- Integrated test button: if the smoke detector emits its warning tone when the test button is pressed, it is in good working order.
- Simple mechanical safeguard prevents smoke detector clicking into place in its base if no battery is fitted.
- Damage to the detector is not possible if the battery is installed with the wrong polarity.

Operating principle

The smoke detector is an early warning device for smouldering fires as well as flaming fires that develop smoke. It operates on the proven light scatter principle. Inside the sensing chamber a light source and a light sensor are arranged so that light normally does not fall on the sensor. It is only when airborne particles enter the chamber that light is scattered onto the sensor (Tyndall effect) to produce an electrical signal. This design means that no radioactive source is required. Smouldering fires in particular are quickly identified by the smoke detector and the alarm given.

If smoke enters the sensing chamber, the built-in sounder is triggered. A logic circuit to eliminate false alarms delays the alarm signal and resetting by up to 30 seconds.

This product has been approved by the Schadenverhütung GmbH in Cologne (VdS). Only security products meeting the high quality demands of the prEN 12239 receive this approval.

Important test criteria are:

- reliable smoke detection characteristics
- good smoke entry
- immunity to electrostatically discharge
- functional check and battery presence control
- Test button

Choice of location

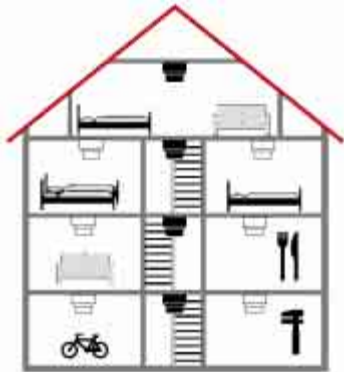


Fig. 1



Fig. 2

■ The minimum protection is one smoke detector on every floor (hall or landing area) and in every child's bedroom.

□ It is better, however, to have a smoke detector in every room, apart from the kitchen and bathroom, where steam can cause false alarms.

The smoke detector must be fixed to the ceiling as near to the centre of the room as possible. One detector can monitor a room with a maximum floor area of 60 m² with a ceiling height of up to 6 m. In hallways and narrow corridors (up to 3 m wide) the detector monitors a distance of up to 7.5 m in each direction. A gap of at least 0.5 m must be maintained from walls and fixtures.

You should therefore install:

- as an absolute necessity one smoke detector in the hallway (to monitor the escape route) between living and sleeping areas
- for optimum protection one detector in every living room and every bedroom
- in multistorey buildings at least one detector on each landing
- in converted lofts one detector above the staircase

Installation on the ceilings of boat cabins or caravans is also possible. When travelling, simply take the smoke detector with you into your hotel room.

Unsuitable locations

Never install the smoke detector

- near to ventilation ducting or strong draughts
- directly in the apex of pitched roofs (a minimum distance of 30 cm from the apex must be maintained)
- in rooms where there is a lot of steam, dust or smoke under normal conditions (workshops, bathrooms, laundry rooms, for example)
- in rooms where the temperature rises above +40 °C or falls below +5 °C
- in the vicinity of fluorescent luminaires.

Installation and putting into service

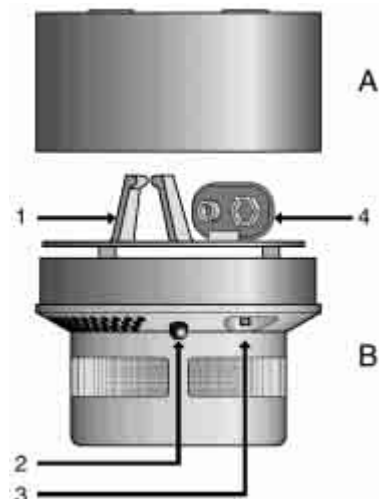


Fig. 3

The home smoke detector is installed as follows:

- Remove the smoke detector from its base by turning it anticlockwise.
- Screw the base to the ceiling using the fixing materials provided (see Fig. 3 for dimensions).
- Attach the 9 V rectangular battery to the connector and insert it into the battery holder (1).
- Insert the smoke detector into the base, without using force, and turn it gently clockwise until it clicks into place.
- Finally verify the good working order of the smoke detector by pressing its test button.

Note: If no battery is fitted, the smoke detector will not click into place!

Networking home smoke detectors

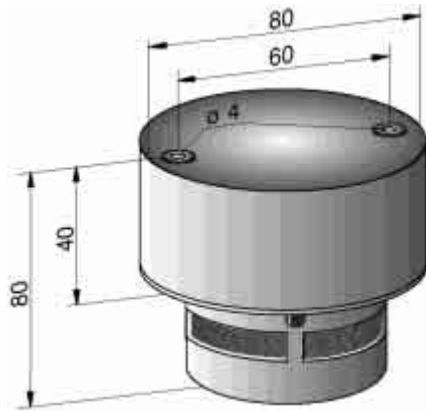


Fig.4

A relay module, available as an optional extra, is required for networking home smoke detectors. Up to 40 smoke alarms (relay type) can be networked using a twisted pair of wires (e.g. telephone cable). For installation see figure 5. A maximum of 500 metres of a 0.6 mm diameter copper cable can be used. In addition, external signalling devices such as sounders or alarm beacons can also be connected.

Note: If a device with an inductive load is connected, a free-wheeling diode (type 1N4007) must be included in the circuit. In doubtful cases please consult your local specialist dealer.

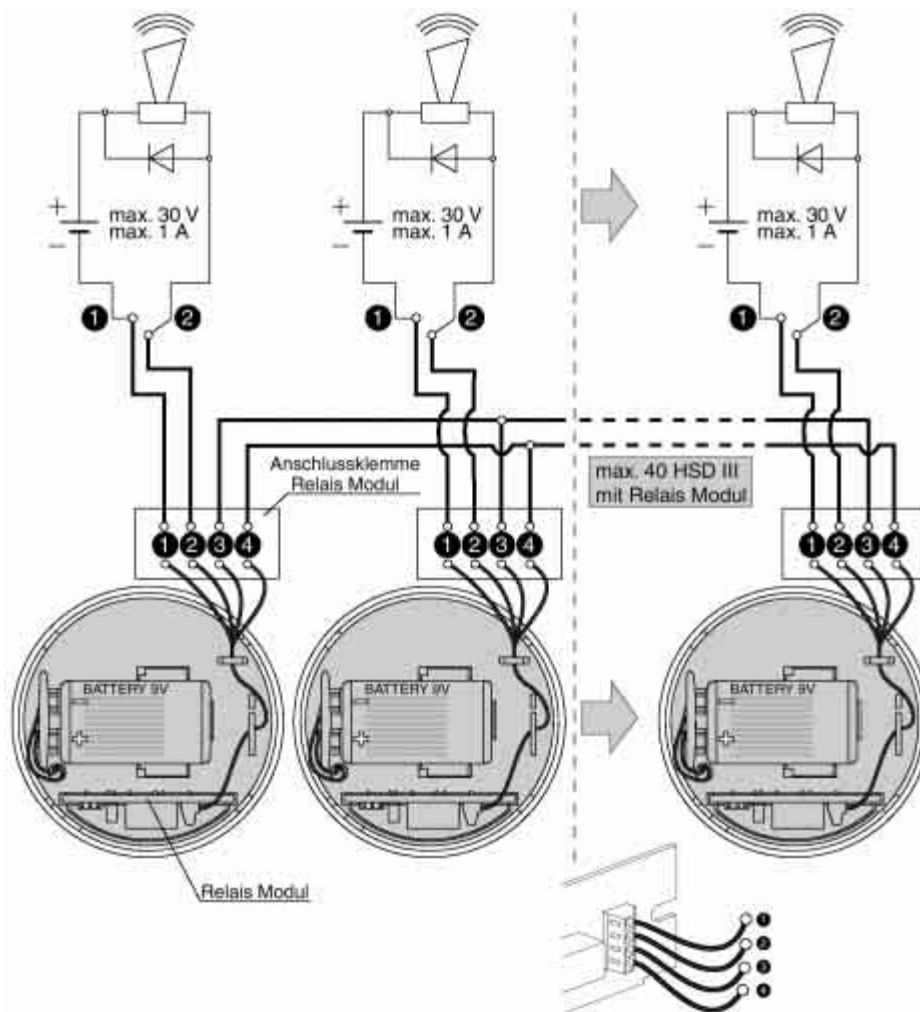


Fig.5

The home smoke detector is installed as follows:

- Remove the home smoke detector (Fig.3, B) from its base (A) by turning it anticlockwise.
- Open the required cable entry knockouts, then fix the base to the ceiling using the fasteners supplied with each unit (see Fig.4 for dimensions).
- Run the interconnecting cables and insert the ends into the base through the open knockouts. Make sure there is enough slack cable (about 10 cm minimum) inside the base for easy connection and disconnection of the relay on the home smoke detector.
- Feed the two-core cable through the strain-relief grip provided (Fig.5) before connecting it to the relay module as shown on the wiring diagram. Then carefully plug the relay module into the seat provided for it (Fig.6, 1).
- Attach the 9 V rectangular battery to the connector (4) and insert it into the battery holder (1).
- Insert the home smoke detector into the base, without using force, and turn it gently clockwise until it clicks into place.

Note: If no battery is fitted, the home smoke detector will not click into place!

- Finally verify the good working order of the home smoke detector by pressing its test button (4).
- When one test button is pressed, all the home smoke detectors linked together in the network must sound the alarm. If a networked home smoke detector does not activate the alarm, this can be for three reasons: (a) open circuit/disrupted network, (b) battery incorrectly connected, (c) battery fully discharged. Check these three points.

Fitting relay and radio transmitter modules (optional extras)

Turn the home smoke detector anticlockwise to remove it from its base. Holding the radio transmitter module at its edges, carefully insert it into the seat provided for it (Fig.6).

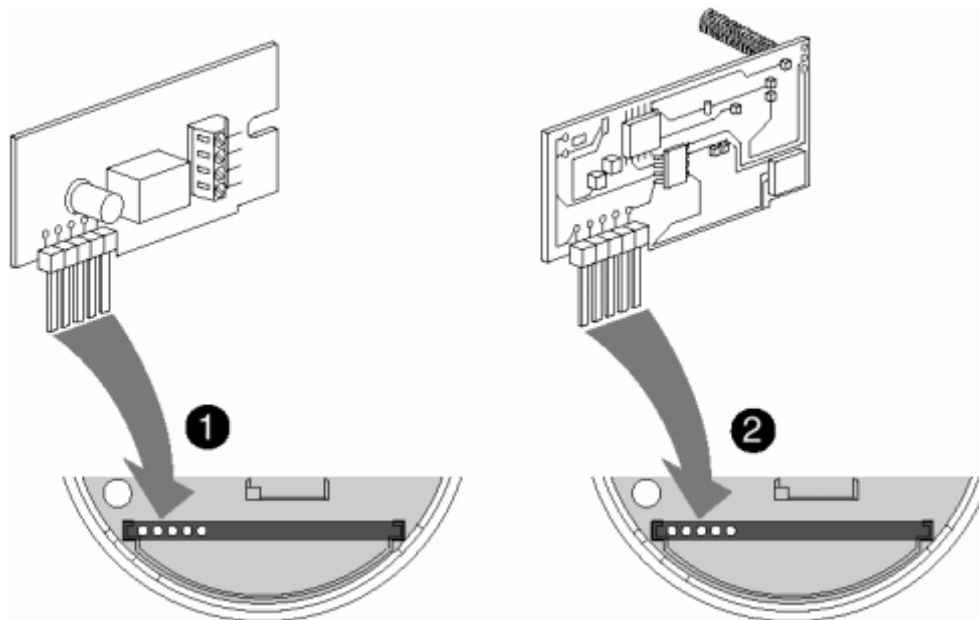


Fig.6 Relay module

Radio transmitter module

Operating and warning signals

The home smoke detector has a logic circuit to eliminate false alarms, the alarm signal being delayed by up to 30 seconds. When the sensing chamber is free of smoke again after an alarm, the home smoke detector automatically resets itself into a state of readiness within 30 seconds.

Signal	Significance
Loud alarm tone at intervals. Red LED flashes.	Local smoke alarm
Loud alarm tone at intervals. Red LED does not flash. (only with networked home smoke detectors with relays).	External smoke alarm: the detector is repeating an alarm from another home smoke detector.
Brief beep tone at one-minute intervals, the red LED simultaneously flashing briefly (for up to about 30 days).	Battery low-power indicator. The battery must be replaced.
Brief beep tone at one-minute intervals, the red LED flashing out of phase.	Smoke sensing system fault (replace home smoke detector).
Red LED flashes briefly at intervals of about 40 seconds	Automatic self-test, normal operating condition.

Safety instructions

- The home smoke detector must not be painted.
- The loud alarm signal can damage hearing.
We recommend that when you carry out the manual test, a minimum distance of 40 cm is maintained between the home smoke detector and your ear. Do not prolong the test for longer than 10 seconds.
- A warning light or a vibrating pillow must be installed for people with hearing defects. These can be activated by a home smoke detector with a relay.
- Home smoke detectors do not extinguish fires. If an alarm occurs, the source of the fire must be located and, if necessary, the fire brigade alerted.
- The home smoke detector only works when the battery is in good working order and correctly installed.
Rechargeable batteries or AC adapters must not be used, as they can disturb the functioning of the detector or cause its premature failure.
- The home smoke detector responds to the smoke from a fire, not to the flame itself.
- The home smoke detector only monitors a defined area in its vicinity and will not necessarily monitor another room or another floor (see also "Choice of location").
Therefore install a sufficient number of home smoke detectors to ensure optimum protection.
- The home smoke detector should be audible in the entire living area. If necessary, install additional sounders, e.g. a klaxon.
- It is possible that people under the influence of alcohol or drugs may not be woken up by the alarm signal.

Maintenance and care

To ensure proper functioning of the home smoke detector, please pay attention to the following points:

- If the home smoke detector emits a short beep at intervals of one minute and the LED flashes simultaneously, the battery must be replaced. Only use 9 V rectangular type ICE6 CR61 batteries.
Caution!
 - Do not use rechargeable batteries.
 - Do not change the battery when the detector is in the alarm condition.
- Replace home smoke detectors after about 10 years of service.

Monthly

- Press the test button;
 - If it emits the warning tone, the home smoke detector is in good working order.
 - If the warning tone is not emitted, please check the battery connection or replace the battery with a new one. If the test results are then still negative, the home smoke detector must be replaced.

6-monthly

- Remove the home smoke detector from its base and wipe it with a damp cloth.
- Reinsert the home smoke detector in its base and turn it clockwise until it clicks into place.

Technical data

Sensitivity	to prEN 12239 (95)
Operating voltage	9 V DC
Current consumption	
Quiescent current	typical
Alarm current (type without relay)	max.25 mA
Alarm current (relay type)	max.50 mA
Relay module	NO contacts, volt-free
Switched voltage	max. 30 V DC
Switched current	max. 1 A
Battery	rectangular battery
Battery type	ICE6 LR 61, 9 V
Battery low power signal	1/min, 30 days
Alarm indicator	LED, red
Sounder	85 dB (A)
Ingress protection	IP 42
Ambient service temperature	+ 5 to + 40 °C
Storage temperature	- 5 to + 60 °C
VdS approval	see nameplate on smoke detector
Weight (without battery)	130 g

Acceptance of guarantee

We accept the guarantee in accordance with the corresponding legal provisions.

Please return the unit postage paid to our central service department giving a brief description of the fault:

Gira
Giersiepen GmbH & Co. KG
Service Center
Dahlienstrasse 12
D-42477 Radevormwald



The CE sign is a free trade sign addressed exclusively to the authorities and does not include any warranty of any properties.

Gira
Giersiepen GmbH & Co. KG
Postfach 1220
D-42461 Radevormwald

Telefon: +49 / 21 95 / 602 - 0
Telefax: +49 / 21 95 / 602 - 339
Internet: www.gira.de