

Switchactuator module 2fold,
for lighting applications

Order No.: 0620 00

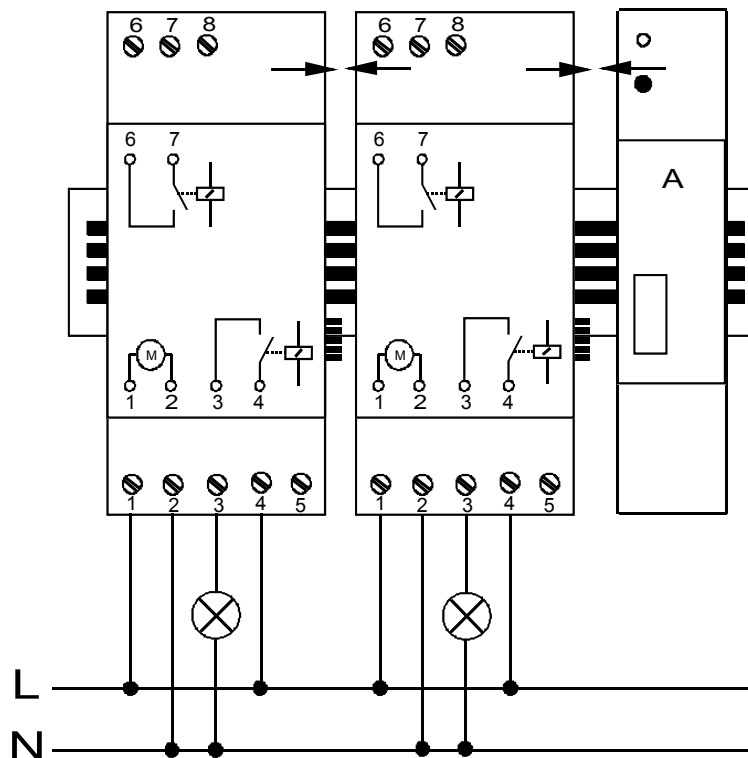
Switchactuator module 2fold,
for lighting and motor applications

Order No.: 0891 00

Function

This device is a product of the *instabus* EIB-system and complies with EIBA directives. Detailed technical knowledge obtained in *instabus* training courses is a prerequisite for proper understanding. Functionality of this device is depending on the software loaded into the **bus coupling module**. Detailed information on loadable software and attainable functionality may be taken from the manufacturer's product database.

The Switchactuator allows two groups of loads to be switched independent of each other. Switching and dimming commands are issued by operation of touch sensors, dimming sensors, infrared sensors or via the binary inputs of the *instabus* EIB-system. The connection of different external conductors is admissible. Two modules can be connected to a bus coupler. The device must not be used in combination with sensor modules. The actor must be connected to the supply mains as shown in the circuit diagram.



After return of the mains voltage

- The actor for lighting applications is in the same state as before the failure of the mains voltage.
Caution! The actor may switch on for a short period (< 1 sec.)
- The actor for lighting and motor applications remains in the off state.

Installation

Fasten the switchactor by snapping it onto the DIN rail, push to the right and connect with the bus coupler module or another actor module already in place.

For removal push the switchactor on the DIN rail to the left until it comes clear of the connector to the bus coupler module.

Unlock the actor and remove it from the rail.

Indications of danger

Caution! The installation and assembly of electrical equipment may be carried out only by a skilled person.

Planning, installation and commissioning of the unit is done by means of EIBA certified software.

Technical Data

Supply	
AC mains	: 230 V AC
Power drain	
<i>instabus</i> EIB	: 10 mW
AC mains	: 2,5 VA
Connection	
<i>instabus</i> EIB	: via bus coupling modul
AC mains	: Screw terminals 2 x 2,5 mm ²
Switching power	
ohmic loads	: 2300 W
incandescent lamps	: 2300 W
HV halogen	: 2000 W
LV halogen, with	
inductive trafo	: 500 VA
TRONIC trafo	: 1500 W
Fluorescent lamps	
non-compensated	: 900 W
dual circuit	: 1500 W
parallel compensated	: 320 W
Mercury vapour lamps	: 1000 W
Halogen metal vapour lamps	: 1000 W
Ambient temperature	: -5 °C to +45 °C
Storage temperature	: -25 °C to +70 °C
Type of protection	: IP 20
Build-in width	: 35 mm (2 PU)

Acceptance of guarantee

We accept the guarantee in accordance with the corresponding legal provisions.

Please return the unit postage paid to our central service department giving a brief description of the fault:

Gira
Giersiepen GmbH & Co. KG
Service Center
Dahlienstrasse 12
D-42477 Radevormwald



The CE sign is a free trade sign addressed exclusively to the authorities and does not include any warranty of any properties.

Gira
Giersiepen GmbH & Co. KG
Postfach 1220
D-42461 Radevormwald

Telefon: +49 / 21 95 / 602 - 0
Telefax: +49 / 21 95 / 602 - 339
Internet: www.gira.de