

**Switchingactuator
4fold Changer**

Order No. 0614 00

4fold Changer with hand operation

Order No. 0619 00

2fold Make Contact

Order No. 0623 00

3fold Make Contact

Order No. 0626 00

4fold Make Contact

Order No. 0627 00

Function

These devices are products of the *instabus* EIB-system and comply with EIBA directives. Detailed technical knowledge obtained in *instabus* training courses is a prerequisite for proper understanding. Functionality of the devices is depending on the software. Detailed information on loadable software and attainable functionality may be taken from the manufacturer's product database.

The switchingactuators can switch two (three, four) groups of loads independently from one another. Commands are issued by operation of touch sensors, infrared sensors or via the binary input of the *instabus* EIB-system.

The switch condition of the relays is indicated by LED ①.

According to the wiring diagramm each actuator must be supplied mains voltage.

The connection of different external leads to the channels is admissable.

Manual operation ②

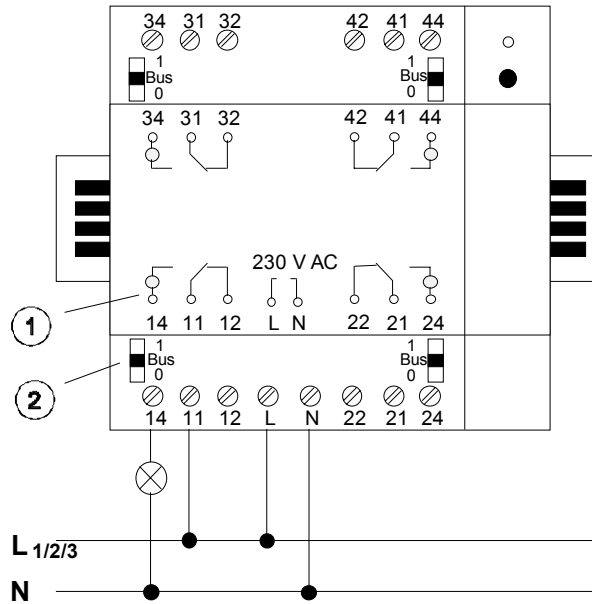
- „1“ : Closing contact shut. Commands from *instabus* EIB-System are not evaluated.
- „0“ : Opening contact shut. Commands from *instabus* EIB-System are not evaluated.
- „Bus“: Commands from *instabus* EIB-System are evaluated.

Installation

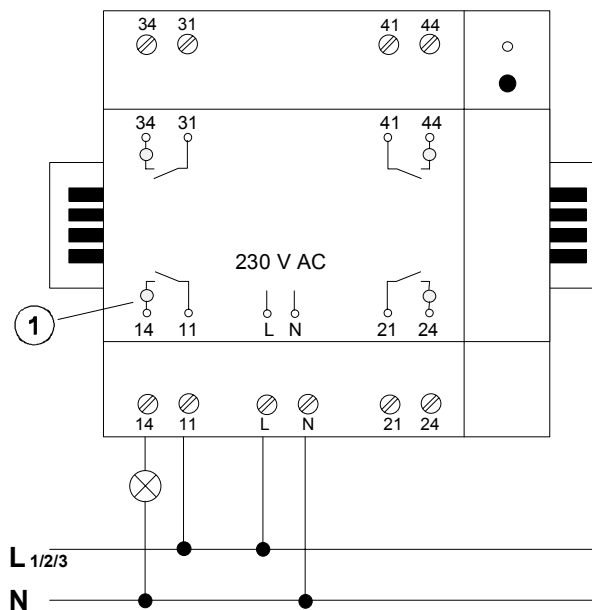
Caution! The installation and assembly of electrical equipment may be carried out only by a skilled person.

Planning, installation and commissioning of the unit is done by means of EIBA certified software.

Changer with/without hand operation



Make Contact



Technical Data


Supply		Switching Power of Changer Contact	
<i>instabus</i> EIB:	24 V DC (+6 / -4 V)	Incandescent lamps:	1500 W
AC mains:	230 V AC	LV halogen, conv. trans.:	20 x 50 W
		Fluorescent lamps	
Power drain		non compensated:	20 x 58 W
<i>instabus</i> EIB:	max. 150 mW	dual circuit:	40 x 58 W
AC mains:	approx. 2 VA	parallel comp.:	5 x 58 W
Connection		Switching Power of Make Contact	
<i>instabus</i> EIB:	Pressure contact on data bar	Incandescent lamps:	2500 W
AC mains:	Screw terminals	HV halogen:	2500 W
	0,2-2,5 mm ² , solid	LV halogen, conv. trans.:	500 VA
	0,75-2,5 mm ² fine core without core end bush	Fluorescent lamps	
		non compensated:	18 x 65 W
Ambient temperature:	-5 °C to +45 °C	dual circuit:	2 x 18 x 65 W
Type of protection:	IP 20	parallel comp.:	14 x 65 W (100 µF)
Build-in width:	87,5 mm (5 PU)	Mercury vapor lamps	
		non compensated:	8 x 125 W
		parallel comp.:	8 x 125 W (100µF)
		Dulux-lamp	
		non compensated:	30 x 26 W
		parallel comp.:	30 x 26 W (100µF)

Acceptance of guarantee

We accept the guarantee in accordance with the corresponding legal provisions.

Please return the unit postage paid to our central service department giving a brief description of the fault:

Gira
Giersiepen GmbH & Co. KG
Service Center
Dahlienstrasse 12
D-42477 Radevormwald

 The CE sign is a free trade sign addressed exclusively to the authorities and does not include any warranty of any properties.

Gira
Giersiepen GmbH & Co. KG
Postfach 1220
D-42461 Radevormwald

Telefon: +49 / 21 95 / 602 - 0
Telefax: +49 / 21 95 / 602 - 339
Internet: www.gira.de