

## Instabus Switching actuator 1fold

Order No. 0601 00

## Function

This device is a product of the *instabus* EIB-system and complies with EIBA directives. Detailed technical knowledge obtained in *instabus* training courses is a prerequisite for proper understanding. Functionality of this device is depending on the software. Detailed information on loadable software and attainable functionality may be taken from the manufacturer's product database.

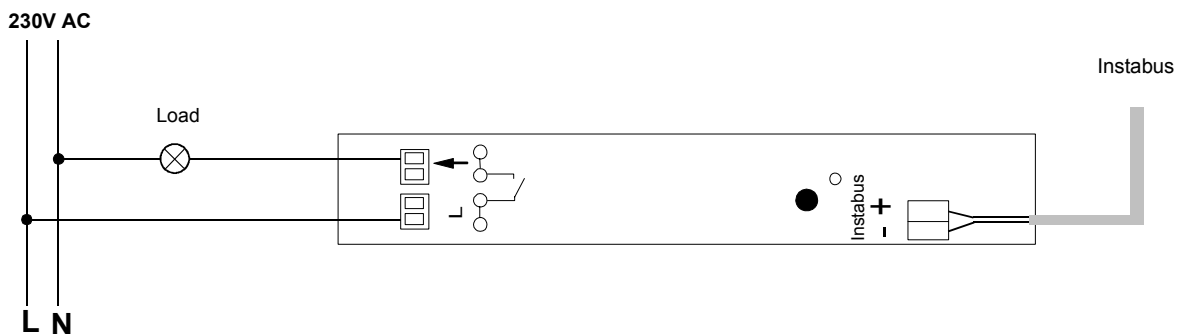
The Switching actuator allows one load to be switched.

Switching commands are issued by operation of touch sensors, infrared sensors or via the binary inputs of the *instabus* EIB-system.

## Installation

**Caution! The installation and assembly of electrical equipment may be carried out only by a skilled person.**

Planning, installation and commissioning of the unit is done by means of EIBA certified software.



## Technical Data

Supply <i>instabus</i> EIB:	24 V DC (+6 / -4 V)
Power drain <i>instabus</i> EIB:	max. 150 mW
Connection	
<i>instabus</i> EIB:	Connecting terminal and branch joint
AC mains:	Plug-in terminals up to 2,5 mm <sup>2</sup>
Switching power	
incandescent lamps:	1000 W
HV halogen:	1000 W
LV halogen (depending on ballast):	200 to 500 W
Fluorescent lamps	
non-compensated:	500 W
dual circuit:	1000 W
parallel compensated:	2 x 58 W (<=14µF)
Ambient temperature:	-5 °C to +45 °C
Storage temperature:	-40 °C to +55 °C
Type of protection:	IP 20
Build-in width (in mm):	28 x 28 x 336 (W x H x L)
Minimum distance:	circular, 4 cm

---

## Acceptance of guarantee

We accept the guarantee in accordance with the corresponding legal provisions.

**Please return the unit postage paid to our central service department giving a brief description of the fault:**

Gira  
Giersiepen GmbH & Co. KG  
**Service Center**  
Dahlienstrasse 12  
D-42477 Radevormwald



The CE sign is a free trade sign addressed exclusively to the authorities and does not include any warranty of any properties.

Gira  
Giersiepen GmbH & Co. KG  
Postfach 1220  
D-42461 Radevormwald

Telefon: +49 / 21 95 / 602 - 0  
Telefax: +49 / 21 95 / 602 - 339  
Internet: [www.gira.de](http://www.gira.de)