

Instabus Binary in-/output 1/3

Order No. 0598 00

Plug Set

Order No. 0588 00

Function

This device is a product of the *instabus* EIB-system and comply with EIBA directives. Detailed technical knowledge obtained in *instabus* training courses is a prerequisite for proper understanding. Functionality of this device is depending on the software. Detailed information on loadable software and attainable functionality may be taken from the manufacturer's product database.

Binary Input

A binary input sends commands to the *instabus*-EIB depending on the switch flanks placed at the plug.

Mains voltage is led by the device to a potential-free contact. The switch signal is backfed via the same connector.

Binary Output

A binary output switches a load group independently from other outputs.

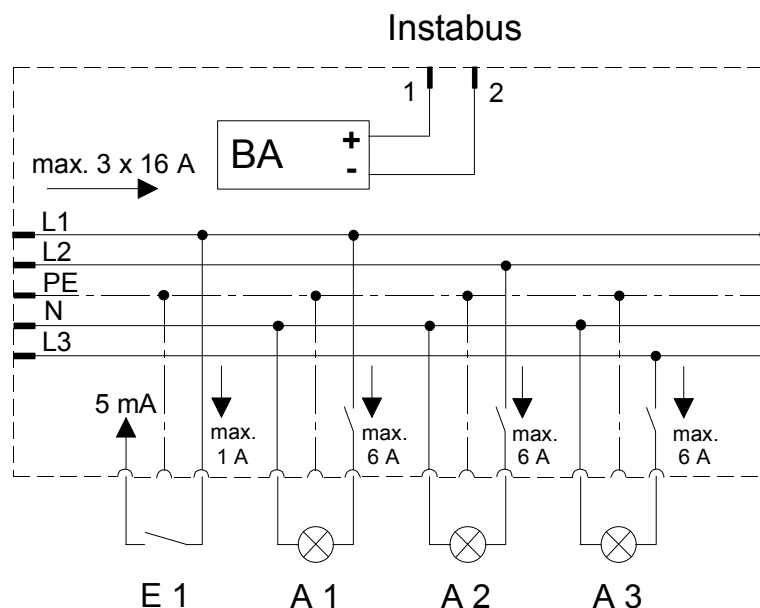
Switch commands are issued by operation of touch sensors, infrared sensors or via the binary inputs of the *instabus*-EIB-systems.

Installation

Caution! The installation and assembly of electrical equipment may be carried out only by a skilled person.

Planning, installation and commissioning of the unit is done by means of EIBA certified software. The device is connected by means of a plug set (For Art. No. refer to Technical Data).

1 Input, 3 Output



Technical Data

Supply

<i>instabus</i> EIB:	24 V DC (+6 / -4 V)
AC mains:	230/400 V AC
Power drain <i>instabus</i> EIB:	max. 150 mW
Connection plug set:	Art. No. 0588 00

Binary input

Length of input lead:	max. 30 m
Input power:	ca. 4 mA
Signal voltage	
"0" - signal:	0 to 25 V AC
"1" - signal:	195 to 253 V AC
Signal duration:	min. 50 ms

Binary output

ohmic load:	1380 W
incandescent lamps:	1000 W
HV halogen:	1000 W
HV halogen, with conv. transformer:	200 W
Fluorescent lamps	
non-compensated:	500 W
dual circuit:	1000 W
parallel compensated:	300 W
Mercury vapour lamps:	250 W
Halogen metal vapour lamps:	200 W
Ambient temperature:	-5 °C to +45 °C
Storage temperature:	-25° C to +55 °C
Type of protection:	IP 20
Dimensions (in mm):	168 x 168 x 64 (W x H x L)

Acceptance of guarantee

We accept the guarantee in accordance with the corresponding legal provisions.

Please return the unit postage paid to our central service department giving a brief description of the fault:

Gira
Giersiepen GmbH & Co. KG
Service Center
Dahlienstrasse 12
D-42477 Radevormwald



The CE sign is a free trade sign addressed exclusively to the authorities and does not include any warranty of any properties.

Gira
Giersiepen GmbH & Co. KG
Postfach 1220
D-42461 Radevormwald

Telefon: +49 / 21 95 / 602 - 0
Telefax: +49 / 21 95 / 602 - 339
Internet: www.gira.de