

Instabus Continuous Controller

Order No.: 0566 ..

System Information

This device is a product of the Instabus EIB-system and complies with EIBA directives. Detailed technical knowledge obtained in Instabus training courses is a prerequisite to proper understanding. The functionality of this device depends upon the software. Detailed information on loadable software and attainable functionality may be taken from the manufacturer's product database.

Planning, installation and commissioning of the unit is done by means of EIBA certified software.

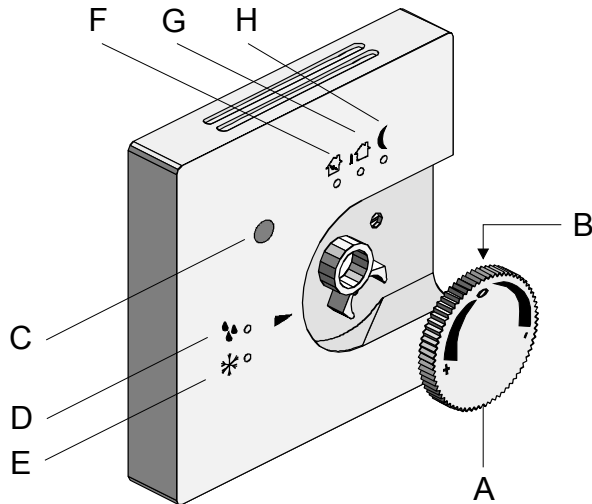
Function

The Instabus EIB continuous controller can be used for single-room temperature control. A continuous control signal for directly triggering an Instabus actuating drive, for example, or a switching corrective signal for triggering a dual 6 A Instabus switching actuator in connection with an electrothermic actuating drive is alternatively possible.

Properties

Depending upon the setting, PI control, P control, two-position control or pulse width modulation PWM

- Heating and / or cooling with manual or automatic change-over and common or separate control outputs are possible
- Two-stage heating or cooling operation
- Five different operating conditions with their individual set values
- Comfort mode continuation or change of mode by presence push-button
- Variable frost and heat protection
- Externally triggerable objects for presence push-button, automatic timer, door / window contact and controller locking
- Acting-sense change-over via Instabus EIB
- Controller status as well as set and actual values are accessible through Instabus EIB
- Five LEDs to indicate the operating states
- Malfunction indication by mode LED
- Set value shifting by a maximum of ± 10 K possible by control knob and software
- Locking the controls for protection against unauthorised use possible
- Temperature alignment for Powernet applications.



Controls and indicators

(please refer to opposite drawing)

- A: Control knob for set value shifting by ± 10 K max.
(Offset for standby and comfort temperatures can be parameterised by software.)
- B: Setting rings to limit the set value shift (in the control knob).
- C: Presence push-button to continue comfort mode or to change the mode.
- D: Yellow LED to indicate controller locking (e. g. for dew point alarm).
- E: Red LED to indicate frost / heat protection mode.
- F: Green LED to indicate comfort mode.
- G: Green LED to indicate standby mode.
- H: Green LED to indicate night operation.

Installation

Do not install this device within the range of heat sources. Plug the temperature controller onto a flush-mounted bus coupler and install it into a standard flush-mounted box.

Contacting is established via the user interface.

For installation, pull off the control knob, plug the temperature controller onto the bus coupler and secure it with the safety screw (protection against detaching). Return the control knob.

Warning

Caution: The installation and assembly of electrical equipment may only be performed by a skilled electrician.

Subject to technical modifications.

Please hand this instructions leaflet to your customer after installation.

Specifications

Supply

Instabus EIB: 24 V DC (+6/-4 V) through bus coupler (BC)

Power consumption

Instabus EIB: 150 mW max.

Connection

Instabus: Connecting and branch terminal
User interface: to be plugged onto BC (2 x 5-pole edge connector)

Basic stage control:

Alternative continuous (PI control) or switching control signal (PWM or two-position control)

Additional stage control:

Alternative continuous (P control) or switching control signal (PWM or two-position control)

Measuring range:

0 to 40 °C

Atmospheric humidity:

0 to 95 % (no condensation)

Resolution:

± 0.08 K

Set value

Comfort temperature:

adjustable from 7 to 40°C

Set value shift:

± 10 K max., continuous

Ambient temperature:

-5 °C to +45 °C

Storage temperature:

-25 °C to +70 °C

Protective system:

IP 20

Protection class:

III

Acceptance of guarantee

We accept the guarantee in accordance with the corresponding legal provisions.

Please return the unit postage paid to our central service department giving a brief description of the fault:

Gira

Giersiepen GmbH & Co. KG

Service Center

Dahlienstrasse 12

D-42477 Radevormwald



The CE sign is a free trade sign addressed exclusively to the authorities and does not include any warranty of any properties.

Gira

Giersiepen GmbH & Co. KG

Postfach 1220

D-42461 Radevormwald

Telefon: +49 / 21 95 / 602 - 0

Telefax: +49 / 21 95 / 602 - 339

Internet: www.gira.de