

IR-Hand transmitter 4 Kanal

Order No.: 0526 00

IR-Hand transmitter 8 Kanal

Order No.: 0528 00

IR-Wall transmitter

Order No.: 0544 00

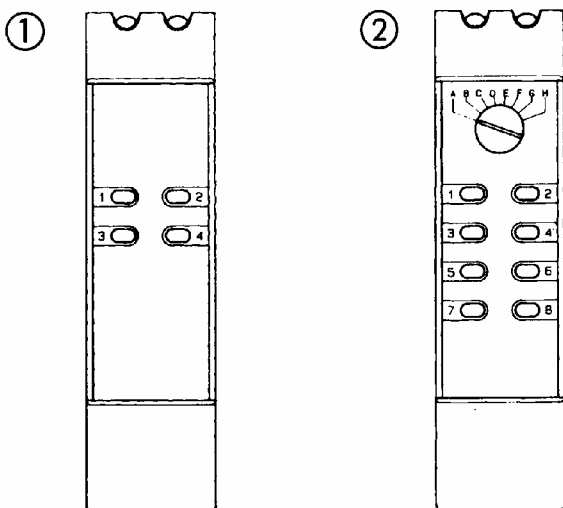
The infrared (IR) transmitter is used for remote controlling of dimmers, switches or push-buttons which depending on types are installed wall integrated respectively ceiling recessed and which are equipped with an infrared receiver.

The push-button of IR transmitter and IR receiver work with equal functions:

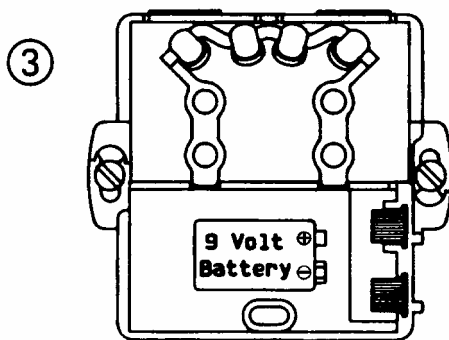
short touch = switch

log touch = dimming (only applicable for dimmer)

Types of transmitters



1. **IR-hand transmitter 4-channel** with 4 operating keys (channel 1-4), for individual controlling of up to 4 head ends (fig. 1). Only for the use head ends group „A“.
2. **IR-hand transmitter 8-channel** with 8 operating keys (channel 1-8), for individual controlling of up to 8 head ends. An integrated 8-way gang switch receivers in suitable versions enables application of up to 64 channels (fig. 2). The group setting (A-H) has to be conform with the controlling head end.

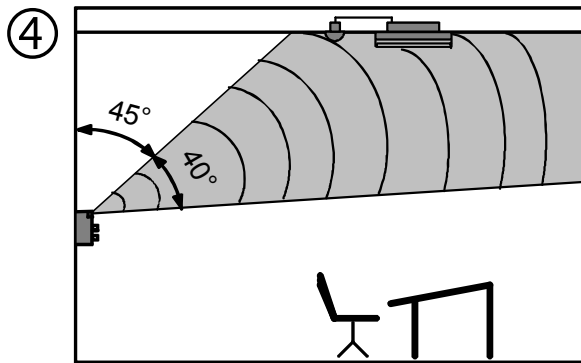


3. **IR-wall transmitter 4-channel** with 4 operating keys (channel 1-4), for individual controlling of up to 4 head ends within the range of ceiling installation (fig. 3). Only for the use of head ends group „A“.

Instabus-applications

For possible channel or group setting of hand and wall transmitter in combination with *instabus*-head ends please see documentation of head ends.

Instructions for use



For co-ordinating the IR receiving stations to the command push-buttons of the IR-transmitter the channel switch in the IR-receiver has to be set (see instruction-manual of the receiving stations). To optimize the transmission range the IR-handtransmitter is to be pointed to the receiving station during transmission. If reaching the boundary region during transmission in the transmission range gaps in the transmission can occur. In this case a dimmcommand can be recognized and executed as a switch-command. Strong influence of other lightsources reduces the maximum transmission range. The IR wall transmitter has to be installed with transmitting diodes in top-position (fig. 3). To ensure an optimum transmission range in the ceiling area, the IR-wall transmitter has to be placed at a height of $h = 1 \text{ m} \pm 0,2 \text{ m}$ (fig. 4).

Batteries

To insert the batteries in the handtransmitter open the battery box on the backside of the device and place-in 4 batteries according to information in the battery box. The battery of wall transmitter is to be inserted after removing the housing cover. A mechanical lock guarantees a battery insertion with correct polarity. According to operation and ageing lifetime of the batteries lasts about 2 years.

Technical data

	Hand transmitter	Wall transmitter
Transmission media	Infrared light 950 nm	
Carrier frequency	455 kHz	
Coding	PPM-Code, carried	
Length of telegram	12 Bit	
Number of channels	4 bzw. 8 (64)	4
Transmission range	12 m	10 m
Batteries	4 x Micro 1,5 V	1 x 9 V

Acceptance of guarantee

We accept the guarantee in accordance with the corresponding legal provisions.

Please return the unit postage paid to our central service department giving a brief description of the fault:

Gira
Giersiepen GmbH & Co. KG
Service Center
Dahlienstrasse 12
D-42477 Radevormwald



The CE sign is a free trade sign addressed exclusively to the authorities and does not include any warranty of any properties.

Gira
Giersiepen GmbH & Co. KG
Postfach 1220
D-42461 Radevormwald

Telefon: +49 / 21 95 / 602 - 0
Telefax: +49 / 21 95 / 602 - 339
Internet: www.gira.de