

## Powernet 2/2Twofold Binary Input/Output

Art. Nr.: 0439 00

### System Information

This device is a product of the Gira-Powernet® EIB system and complies with EIBA directives. Detailed technical knowledge obtained in *instabus* or Gira-Powernet® EIB training courses is a prerequisite to proper understanding.

The functionality of this device depends upon the software. Detailed information on loadable software and attainable functionality may be taken from the manufacturer's ETS2 product database as well as from the Gira-Powernet® EIB controller database.

Planning, installation and commissioning of the unit is done by means of the ETS2 software, Ver. 1.1 or later, as well as by the Gira-Powernet® EIB controller.

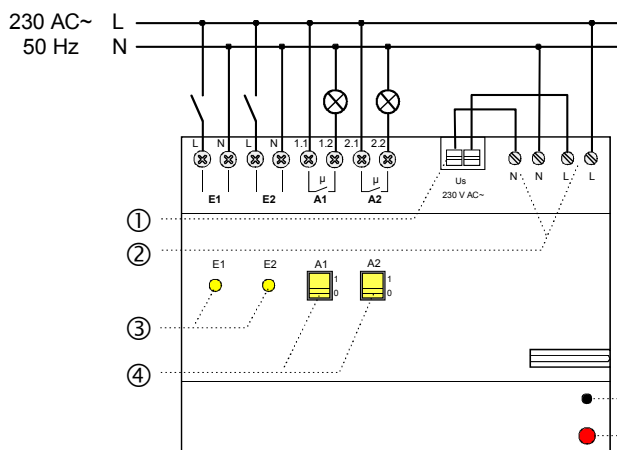
### Function

This binary input/output is provided for series mounting on a DIN top hat rail. The device combines sensor and actuator functions.

**Inputs:** The device has two separate inputs (E1 + E2) for 230 V AC signals processed separately. The status of the contacts connected are indicated by yellow LEDs (E1 + E2) ③. They serve for coupling external, independent 230 V AC switch or push-button contacts to the Gira-Powernet® EIB system.

**Outputs:** The device has two potential-free contacts (A1 + A2), by means of which two electrical consumers can be switched independently of each other. The switching statuses of the relays are shown by switching position indicators ④. At the same time, they serve for manually actuating the relays independently of the Gira-Powernet® EIB system.

### Connection



**Switch off the mains voltage prior to establishing the electrical connection.**

Establish electrical connection as shown in the opposite illustration.

Where:

- ① Supply voltage connection.
- ② Gira-Powernet® EIB connection.
- ③ Inputs E1 and E2 status LEDs.
- ④ Outputs A1 and A2 manual operation and switching position indicators.
- ⑤ Programming key.
- ⑥ Programming LED.

### Warning

**Caution! The installation and assembly of electrical equipment may only be performed by a skilled electrician. Do not connect any loads/types of load other than specified.**

## Specifications

### Supply

Mains voltage	: 230 V AC (sine wave)
Mains frequency	: 50 Hz
Power consumption	: < 2 VA
Power loss	: ≤ 8 W

### Connection

Supply voltage	: 0.5 - 2.5 mm <sup>2</sup> plug-in terminals
Load circuit + inputs	: 0.5 - 2.5 mm <sup>2</sup> screw terminals
Powernet	: 1 - 2.5 mm <sup>2</sup> screw terminals

### Inputs

Number	: 2, potential-separated
Signal voltage	: 230 V AC, 50 Hz
Signal current	: < 3 mA
Switching threshold for "0" signal	: 0 - 100 V AC
Switching threshold for "1" signal	: 160 - 264 V AC

### Outputs

Number	: 2, potential-free
Switching voltage	: 230 V AC, 50 Hz
Switching capacity	: 16 A, cos φ = 1 10 A, cos φ = 0.65
Switching repetition	: 125 ms for 1 contact 250 ms for 2 contacts at the same time

Ambient temperature	: -5 °C to +45 °C
Protective system	: IP 20 acc. to DIN 40050 (EN 60529)
Dimensions	: 6.5 PUs (pitch units) (117 mm)

## Acceptance of guarantee

We accept the guarantee in accordance with the corresponding legal provisions.

**Please return the unit postage paid to our central service department giving a brief description of the fault:**

Gira  
Giersiepen GmbH & Co. KG  
**Service Center**  
Dahlienstrasse 12  
D-42477 Radevormwald



The CE sign is a free trade sign addressed exclusively to the authorities and does not include any warranty of any properties.

Gira  
Giersiepen GmbH & Co. KG  
Postfach 1220  
D-42461 Radevormwald

Telefon: +49 / 21 95 / 602 - 0  
Telefax: +49 / 21 95 / 602 - 339  
Internet: [www.gira.de](http://www.gira.de)