

Blind controller insert without auxiliary input
Order No. : 0399 00

Operating instructions

1 Safety instructions

Electrical equipment may only be installed and fitted by electrically skilled persons.

Serious injuries, fire or property damage possible. Please read and follow manual fully.

Danger of electric shock. Always disconnect before carrying out work on the device or load. At the same time, take into account all circuit breakers that supply dangerous voltage to the device or load.

Risk of injury. Use the device only for controlling Venetian blind and roller shutter motors or awnings. Do not use it to switch other loads.

For parallel connection of several motors to an output it is essential to observe the corresponding instructions of the manufacturers, and to use a cut-off relay if necessary. The motors may be destroyed.

Use only venetian blind motors with mechanical or electronic limit switches. Check the limit switches for correct adjustment. Observe the specifications of the motor manufacturers. Device can be damaged.

These instructions are an integral part of the product, and must remain with the end customer.

2 Device components

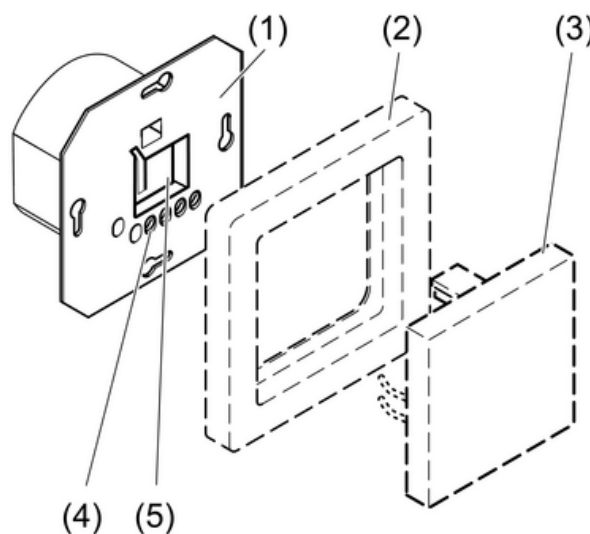


Figure 1

- (1) Venetian blind control
- (2) Frame
- (3) Shutter cover
- (4) Terminals
- (5) Space for sensor terminal block

3 Function

Intended use

- Controlling electrically driven blinds, rolling shutters and awnings
- Operation with suitable shutter cover
- Installation in appliance box according to DIN 49073

Product characteristics

- Relay contacts of both running directions are mechanically interlocked
- Supports sensor functions of the cover

4 Information for electrically skilled persons

4.1 Fitting and electrical connection



DANGER!

Electrical shock when live parts are touched.

Electrical shocks can be fatal.

Before carrying out work on the device or load, disengage all the corresponding circuit breakers. Cover up live parts in the working environment.

Connecting and mounting the Venetian blind control

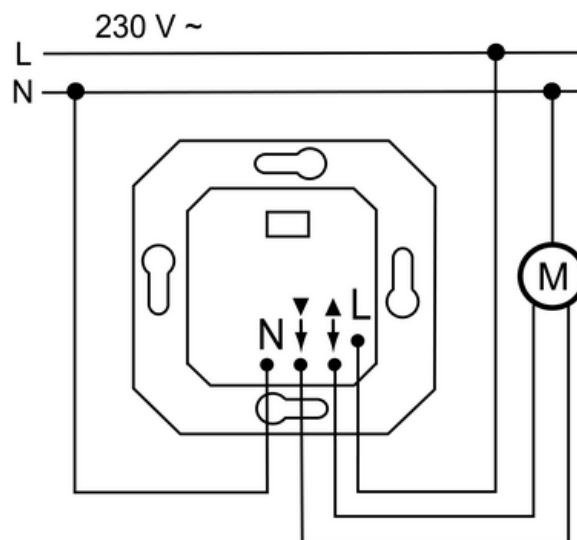


Figure 2: Connection of control

- Connect venetian blind control according to connection diagram (Figure 2).
- Install Venetian blind control in appliance box, terminals must be at the bottom. Recommendation: Use deep accessory sockets.
- Attach the frame and the cover.
- Check function. If the blind/shutter moves in the wrong direction, exchange the connections.

4.2 Installing sensor cable for covers with sensor evaluation

Installation instructions for sensors

- i** The sensor cable carries safety extra-low voltage (SELV). Observe fitting instructions according to VDE 0100.

The sensor cable can be installed in three different ways. In-wall routing (Figure 4), surface-mounted routing (Figure 5), and with appropriate covers plugging the sensor cable into the cover (Figure 6).

- i** The sensor cable must not be too long, because otherwise interference from other loads and cables may occur. This may result in malfunctions. Therefore use only shielded cables, and connect the shielding to earth. The total length must not exceed 20 m; avoid proximity to other electrical facilities.

Connecting sensors to terminal block

- i** If the sun and glass break sensor are used at the same time, an adapter must be used. The adapter is connected to a cover with sensor evaluation or to the insert via the 3-pole terminal block. The adapter has two sockets for connecting the sensor plug.

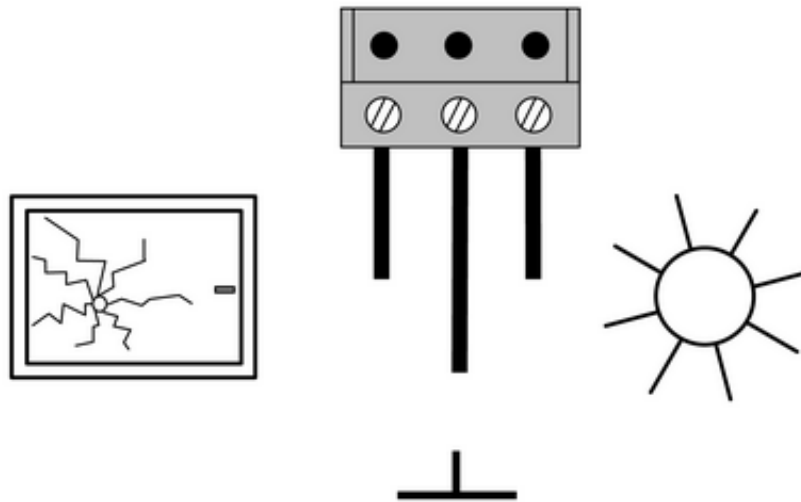


Figure 3: Connection to the terminal block

- Connect sensors as shown in connection diagram (Figure 3). The glass break sensor is connected on the left and in the middle, and the sun sensor is connected on the right and in the middle.
For the sensors, the "ground" is identified.
For the adapter and the extension cable, the "sun" is identified. The "ground" is the middle cable.
- i** Interchanging the connections will result in malfunctions.

Routing the sensor cable in-wall

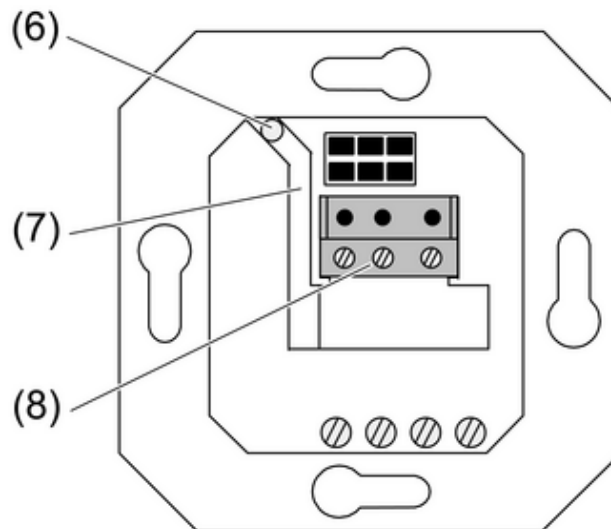


Figure 4: In-wall routing of the sensor cable

- i** For in-wall routing of the sensor cable, use only shielded cables. Recommendation: J-Y (ST)Y 2x2x0.6 mm.
 - Insert the cable through the hole (6) in the insert and route it through the cable duct (7) to the terminal block (8) (Figure 4).
- i** The terminal block is included with the covers with sensor evaluation.
 - Connect the cable (see "Connecting sensors to terminal block")

Routing the sensor cable with surface-mounting

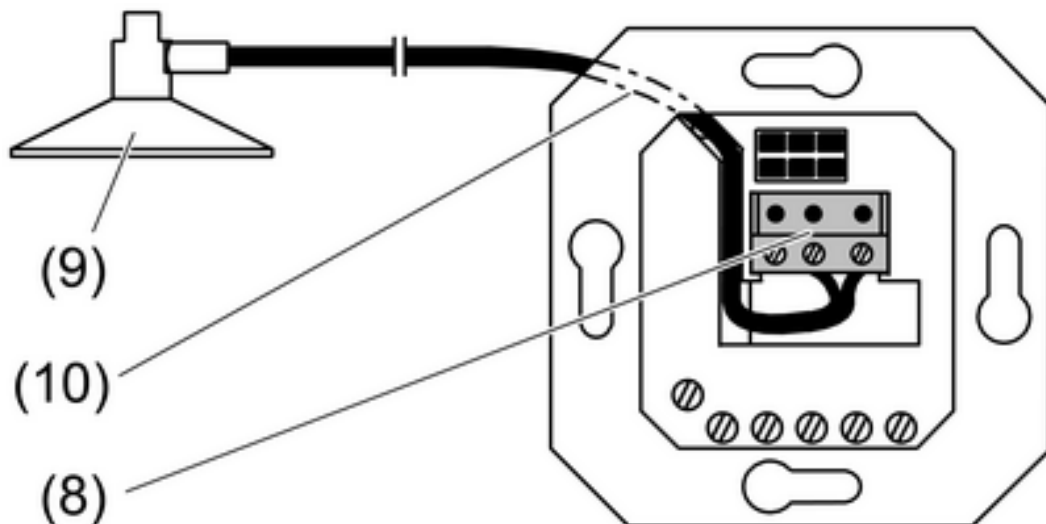


Figure 5: Surface-mounted routing of the sensor cable

- For surface-mounted routing of the indoor sensor (9), cut off the plug.
- Route the sensor cable behind the supporting plate (10) and through the cable duct to the connecting terminal (8) (Figure 5).
- Connect the cable (see "Connecting sensors to terminal block")

Plugging the sensor cable into the cover

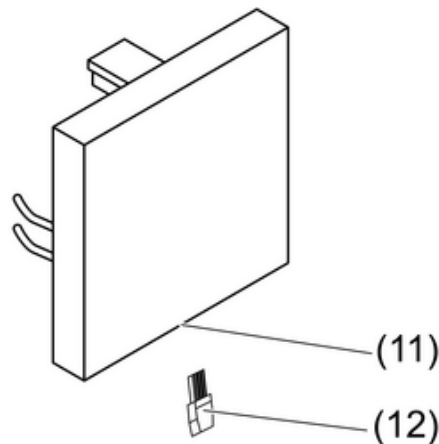


Figure 6: Sun sensor on the cover

It is only possible to connect the sun sensor to the cover if a corresponding socket is present. This is not the case for all covers with sensor evaluation.

- Insert plug (12) into the socket of the insert (11) (Figure 6).

5 Appendix

5.1 Technical data

Rated voltage	AC 230 V ~
Mains frequency	50 Hz
Ambient temperature	0 ... +55 °C
Contact type	μ contact
Length of the sensor cable	max. 20 m
Connection	
Motors	1000 W
Data according to EN 60730-1	
Action	1.B
Degree of soiling	2
Measured surge voltage	4000 V
SELV limit value	DC 12 V

5.2 Warranty

The warranty is provided in accordance with statutory requirements via the specialist trade. Please submit or send faulty devices postage paid together with an error description to your responsible salesperson (specialist trade/installation company/electrical specialist trade). They will forward the devices to the Gira Service Center.

Gira
Giersiepen GmbH & Co. KG
Elektro-Installations-
Systeme

Industriegebiet Mermbach
Dahlienstraße
42477 Radevormwald

Postfach 12 20
42461 Radevormwald

Deutschland

Tel +49(0)21 95 - 602-0
Fax +49(0)21 95 - 602-191

www.gira.de
info@gira.de