

System 2000

Presence detector extension unit insert Order No.: 0335 00

Function

Presence detector extension unit insert as a 3-wire extension unit (active extension) for presence detectors or automatic switches.

The extension unit can only be used in conjunction with the presence detector attachment or automatic switch attachment. Other attachments than those specified do not yield any meaningful functions.

In conjunction with the presence detector attachment or the automatic switch attachment unit, the 3-wire extension unit transmits a light-independent switching signal to the main unit when a movement is detected. The locking time of the 3-wire extension unit is approx. 3 secs. The signals are processed in the attachment (presence detector or automatic switch attachment) of the main unit.

Inserts that can be used for the main unit:

Universal dimmer, LV dimmer

Triac-switching insert, Tronic-switching insert

Relay insert

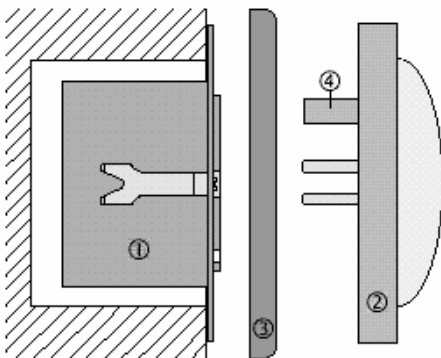
Note:

The extension unit is not suitable for direct switching of loads.

The extension unit must not be used in conjunction with more than one main unit.

Fitting instructions

A



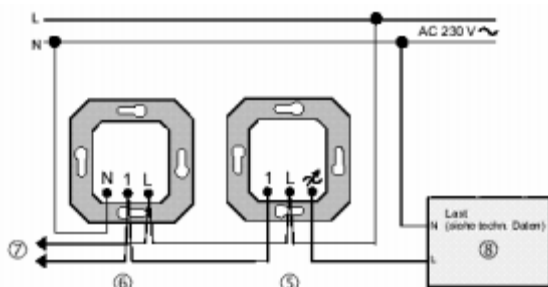
The extension unit insert ① is installed in a DIN 49073 flush-mounting box (see fig. A).

The connection terminals of the insert must be at the bottom (wallmounting).

The attachment ② is plugged into the insert together with frame ③.

The electrical contact with the insert is ensured by plug ④.

B



Connection diagram see fig. B.

Main unit ⑤.

Extension unit ⑥.

Further extension units ⑦.

Load ⑧.

Safety instructions

Attention: Electrical equipment must be installed and fitted by qualified electricians only. Non-observance of the installation instructions may cause fire and other hazards.

Technical specifications

Nominal voltage:	AC 230 V ~, 50 / 60 Hz N conductor required
Connection:	to main unit (with presence detector or automatic switch attachment)
The number of parallel extensions is limited to	
5 at maximum:	when controlled from a universal dimmer
10 at maximum:	when controlled from other flush-mounting inserts
Length of line:	max. 100 m

Acceptance of guarantee

We accept the guarantee in accordance with the corresponding legal provisions.

Please return the unit postage paid to our central service department giving a brief description of the fault:

Gira
Giersiepen GmbH & Co. KG
Service Center
Dahlienstrasse 12
D-42477 Radevormwald



The CE sign is a free trade sign addressed exclusively to the authorities and does not include any warranty of any properties.

Gira
Giersiepen GmbH & Co. KG
Postfach 1220
D-42461 Radevormwald

Telefon: +49 / 21 95 / 602 - 0
Telefax: +49 / 21 95 / 602 - 339
Internet: www.gira.de