

LED dimming insert with rotary switch-off

Order no.: 0300 00

Operating instructions

1 Safety instructions



Electrical devices may only be mounted and connected by electrically skilled persons.

Serious injuries, fire or property damage possible. Please read and follow manual fully.

Danger of electric shock. Always disconnect before carrying out work on the device or load. In so doing, take all the circuit breakers into account, which support dangerous voltages to the device and or load.

Danger of electric shock. Device is not suitable for disconnection from supply voltage. The load is not electrically isolated from the mains even when the device is switched off.

These instructions are an integral part of the product, and must remain with the end customer.

2 Device components

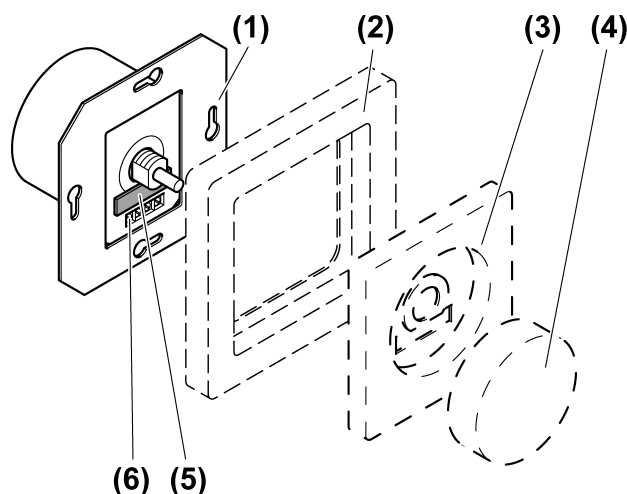


Figure 1: Device components

- | | |
|-----|-----------------|
| (1) | Dimmer |
| (2) | Cover frame |
| (3) | Cover |
| (4) | Control button |
| (5) | Fuse holder |
| (6) | Screw terminals |

3 Function

Intended use

- Switching and dimming incandescent lamps, HV halogen lamps and dimmable leading edge phase control HV-LED lamps
- Mounting in appliance box according to DIN 49073
- Operation with suitable cover

i No operation with changeover switch possible.

i No operation with transformers possible.

Product characteristics

- Leading edge phase control dimming principle
- Short-circuit protection through fine-wire fuse
- i** Flickering of the connected lamps due to undershoot of the specified minimum load or through centralised pulses from the power stations and soft humming of the device due to the radio interference suppressor. These are not device faults.

4 Operation

- i** Switching and dimming are performed by turning the control button.

Switching the light on and increasing the brightness

- Turn control button to the right.

Switching the light off

- Turn control button all the way to the left.

5 Information for electrically skilled persons



DANGER!

Mortal danger of electric shock.

Disconnect the device. Cover up live parts.

Connecting and mounting the dimmer

- i** Connect max. 300 W LED lamps per 16 A circuit breaker.
- i** Our dimmers take into account the different electronic characteristics of most LED lamps found on the market. However, it cannot be guaranteed that in individual cases the desired results may not be achieved.

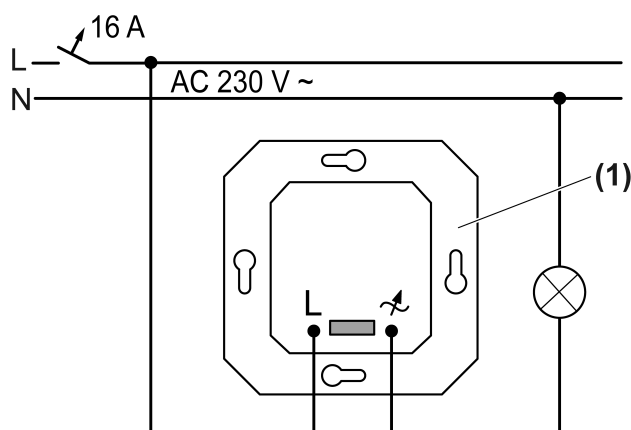


Figure 2: Connection diagram

- Connect the dimmer (1) according to the connection diagram (Figure 2).

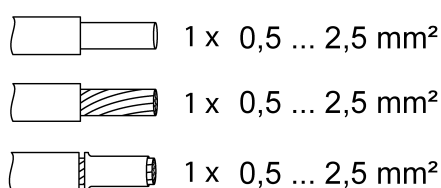


Figure 3: Clampable conductor cross-section

- Mount the dimmer in the appliance box. Terminals must be at the bottom.
- Install the cover frame (2) and the cover (3).
- Attach the control button (4).
- Switch on mains voltage.

6 Technical data

| | |
|---------------------|---------------|
| Rated voltage | AC 230 V~ |
| Mains frequency | 50 Hz |
| Standby power | approx. 0.2 W |
| Power loss | approx. 3.7 W |
| Ambient temperature | -5 ... +45 °C |

Connected load at 25 °C

| | |
|--------------------|-----------------|
| Incandescent lamps | 20 ... 200 W |
| HV halogen lamps | 20 ... 200 W |
| HV-LED lamps | typ. 3 ... 40 W |

Mixed load

| | |
|------------------|-----------------|
| Ohmic and HV LED | typ. 3 ... 40 W |
|------------------|-----------------|

Power reduction

| | |
|----------------------------------------------------|------|
| when surface mounting | -5% |
| per 5°C in excess of 25°C | -10% |
| when installed in wooden or dry construction walls | -15% |
| when installed in multiple combinations | -20% |

Fine-wire fuse

T 800 mA H 250

7 Troubleshooting

The device cannot be switched on. Or: The device switches the load off and cannot be switched on again.

Check fine-wire fuse and replace if necessary. Use only original fuses.

Connected HV-LED lamps flicker

Cause: The lamps are not dimmable or dimming principle and lamps do not optimally match.

Check manufacturer's instructions. Exchange lamps for another type.

Connected HV-LED lamps switch off in the lowest dimming position or flicker

Cause: Brightness is set too low for the lamps.

Adjust the brightness and set it brighter.

LED lamp is dimly lit when dimmer is switched off

Cause: LED lamp is not suitable for this dimmer.

Use a compensation module, see accessories.

Use another type of LED lamp or an LED lamp of another manufacturer.

8 Accessories

Compensation module LED

Order no. 2375 00

9 Warranty

The warranty is provided in accordance with statutory requirements via the specialist trade. Please submit or send faulty devices postage paid together with an error description to your responsible salesperson (specialist trade/installation company/electrical specialist trade). They will forward the devices to the Gira Service Center.

Gira
Giersiepen GmbH & Co. KG
Elektro-Installations-
Systeme

Industriegebiet Mermbach
Dahlienstraße
42477 Radevormwald

Postfach 12 20
42461 Radevormwald

Deutschland

Tel +49(0)21 95 - 602-0
Fax +49(0)21 95 - 602-191

www.gira.de
info@gira.de